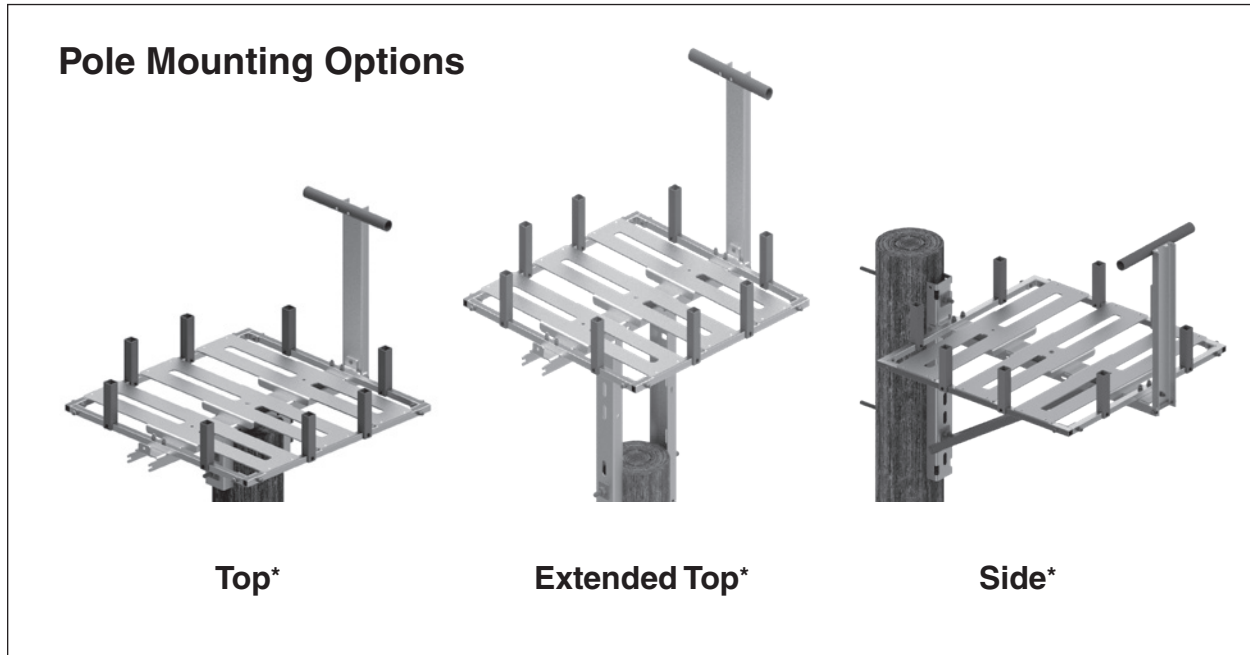




RAPTOR PROTECTOR™ Platform

NOMENCLATURE



*Shown with the optional nest retention posts and 24" perch

GENERAL RECOMMENDATIONS

The RAPTOR PROTECTOR™ Platform is constructed of strong - yet lightweight - corrosion-resistant aluminum. It is designed to provide large birds with an alternative to nesting on utility structures, protecting them from electrocution dangers while preventing wildlife-related outages. The durable RAPTOR PROTECTOR™ Platform comes preassembled and provides top and side of pole-mounting configurations, with optional perch and retention posts on its perimeter.

Options:

The RAPTOR PROTECTOR Platform is available in three basic mounting designs:

- Top-of-pole mount
- Extended top-of-pole mount
- Side-of-pole mount

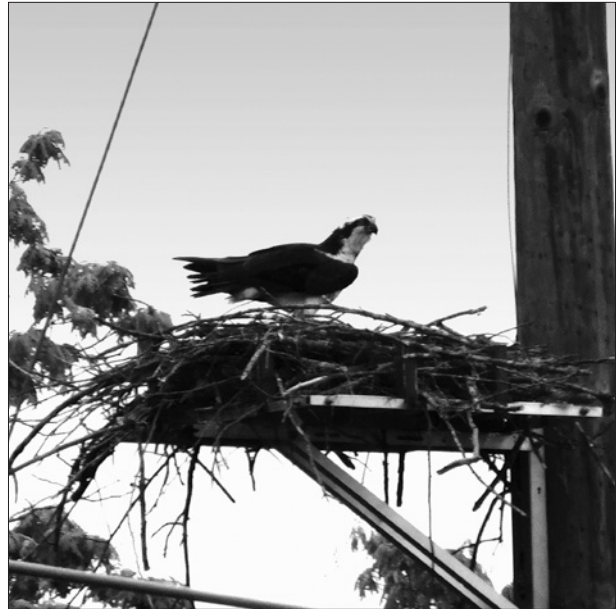
Each design is available with optional nest retention posts and/or perch.

Materials: The RAPTOR PROTECTOR Platform is constructed of lightweight, maintenance-free aluminum. The optional nest retention posts are high-grade, UV-stabilized PVC. All hardware is corrosion-resistant.

RAPTOR PROTECTOR™ Platform

Features:

- Lightweight
- Easily installed
- No maintenance
- Installs on wood, steel or composite poles quickly
- Recyclable and reusable



Catalog Number*	Size	Description
RPP33-T	3' x 3'	RAPTOR PROTECTOR Platform Top-of-Pole Mount
RPP33-ET		RAPTOR PROTECTOR Platform Extended Top-of-Pole Mount
RPP33-S		RAPTOR PROTECTOR Platform Side-of-Pole Mount

Accessories*	
NRP	Nest Retention Posts (8)
24	24" Perch

*To add accessories: add suffix to the base catalog number, i.e. RPP33-TNRP24

