



# COYOTE® Cross-Connect and Cross-Connect/Express Closures

## Refinement of the Breed...

### The COYOTE Cross-Connect Closure provides long-term peace of mind.

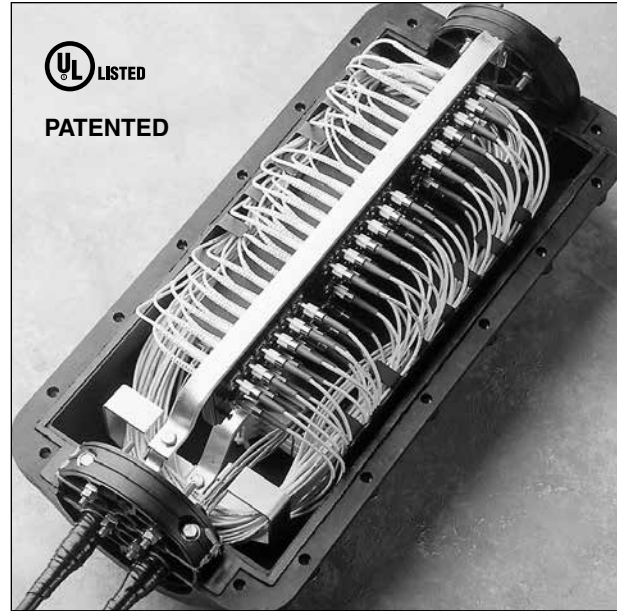
The COYOTE Cross-Connect and Cross-Connect/Express Closures allow you to splice up to 96 single fiber splices and cross connect up to 48 pigtails on both the office and distribution side. Consult PLP support for details on ribbon fiber splices. By redirecting fiber for outside plant, the COYOTE Cross-Connect Closure saves time and money: because you splice only once.

The COYOTE Cross-Connect and Cross-Connect/Express Closures are made from the same durable UV stabilized material as the COYOTE Closure.

The internal bulkhead is designed to accept a variety of connector styles. Place your order as soon as you have chosen the connector for your application and determined your pigtail requirements. This customization process saves time and money by limiting the order to only the parts required.

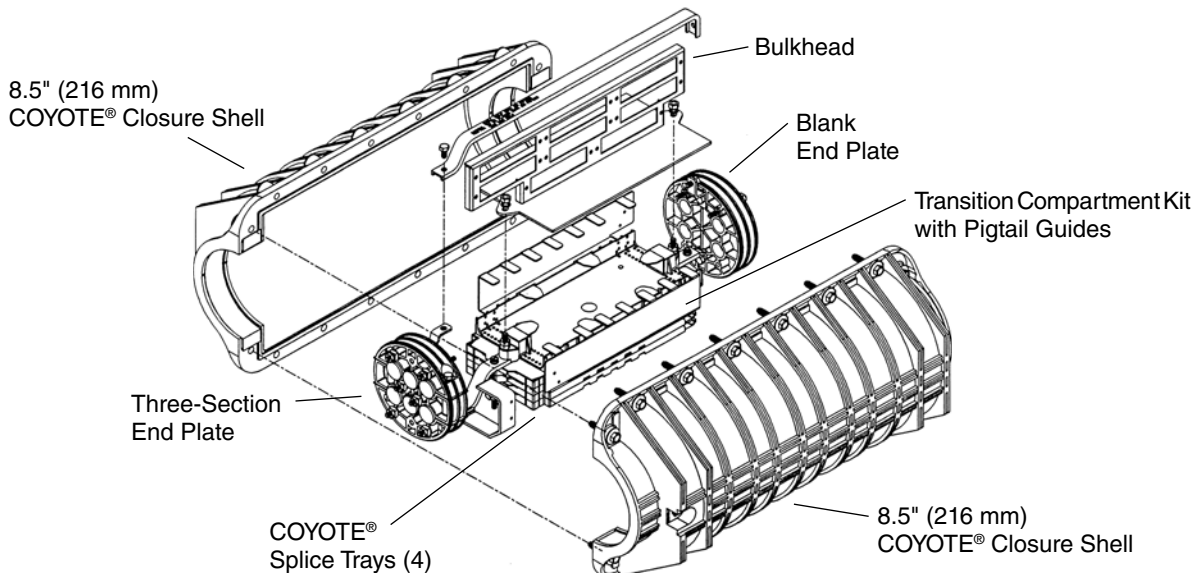
Each end plate allows for multiple entries. Isolated ground studs simplify troubleshooting, and provide additional support for strength member tie-off.

The family of COYOTE Cross Connect/Express Closures is configured to conveniently and safely store uncut buffer tubes of the feeder cable, while providing individual connectivity to the fibers of the drop cables.



The COYOTE Cross-Connect Closure is waterproof and uses the revolutionary LOCK-TAPE™ Sealant System, providing field-proven durability. The neoprene gasket also aids in keeping the closure's contents accessible again and again without a costly re-entry kit. The COYOTE Closure is tested in accordance with Bellcore GR-771-CORE.

### COYOTE Cross-Connect Closure components



# COYOTE® Cross-Connect and Cross-Connect/Express Closures

## Refinement of the Breed...

### Ordering Information

Included in all COYOTE Cross-Connect Closure Kits is one Three-Section End Plate, one Blank End Plate, Transition Compartment Kit with Pigtail Guides, Bulkhead, and four COYOTE Splice Trays (single fiber). ST, SC and FC Half-Loaded and Fully-Loaded Kits contain additional items which are described in the table below.



PATENTED

COYOTE Cross-Connect Closure	
Catalog Number	Description
8006572	COYOTE Cross Connect-Closure (Standard Unit) includes one three-section End Plate, one blank End Plate, transition compartment kit with pigtail guides, bulkhead, and four COYOTE Splice Trays (single fiber)
8006576	COYOTE Cross-Connect Closure – ST half loaded (24 count) includes standard unit, plus four (Bulkhead) coupler panels with six singlemode ST couplers, four field pigtail kits with ST connector (6) and transport tube, and four service pigtail kits with ST connector (6) and transport tube
8006577	COYOTE Cross-Connect Closure – ST fully loaded (48 count) includes standard unit, plus eight (Bulkhead) coupler panels with six singlemode ST couplers, eight field pigtail kits with ST connector (6) and transport tube, and eight service pigtail kits with ST connector (6) and transport tube
8006591	COYOTE Cross-Connect Closure – SC half loaded (24 count) includes standard unit, plus four (Bulkhead) coupler panels with six singlemode SC couplers, four field pigtail kits with SC connector (6) and transport tube, and four service pigtail kits with SC connector (6) and transport tube
8006592	COYOTE Cross-Connect Closure – SC fully loaded (48 count) includes standard unit, plus eight (Bulkhead) coupler panels with six singlemode SC couplers, eight field pigtail kits with SC connector (6) and transport tube, and eight service pigtail kits with SC connector (6) and transport tube
8006593	COYOTE Cross-Connect Closure – FC half loaded (24 count) includes standard unit, plus four (Bulkhead) coupler panels with six singlemode FC couplers, four field pigtail kits with FC connector (6) and transport tube, and four service pigtail kits with FC connector (6) and transport tube
8006594	COYOTE Cross-Connect Closure – FC fully loaded (48 count) includes standard unit, plus eight (Bulkhead) coupler panels with six singlemode FC couplers, eight field pigtail kits with FC connector (6) and transport tube, and eight service pigtail kits with FC connector (6) and transport tube
8006670	COYOTE Cross-Connect Closure – AP/SC fully loaded (48 count) includes standard unit, plus eight (Bulkhead) coupler panels with six singlemode AP/SC couplers, eight field pigtail kits with AP/SC connector (6) and transport tube, and eight service pigtail kits with AP/SC connector (6) and transport tube

Capacities Adapter				
Closure	Max. Feeder Cable	No. of Adapter Plates	No. of Splice Trays	Splices per Tray
Expanded RUNT	48-fiber	1	1	12
PUP	144-fiber	2	2	12
6" x 22"	144-fiber	3	2	36
8.5" x 22"	288-fiber	8	4	36

Adapter Plates		
Catalog Number	Connector	Adapter
6SMSC	SC	6
6SCAPC	SC/APC	6
12SMDS	SC	6 Duplex
8SMSC	SC	8
6SMST	ST	6
8SMST	ST	8
6SMFC	FC	6
8SMFC	FC	8
6FCAPC	FC/APC	6
6SMSC	LC	3 Duplex
12SMSC	LC	6 Duplex
600	Blank	-

Catalog Number	Description
80805605	(Bulkhead) Coupler Panel with six holes for ST Feed-Thru Adapters
80805606	(Bulkhead) Coupler Panel with six holes for SC Feed-Thru Adapters
80805607	(Bulkhead) Coupler Panel with six holes for FC Feed-Thru Adapters

COYOTE Cross-Connect/Express Closure	
Catalog Number	Description
8006916	Expanded COYOTE RUNT Cross-Connect/Express Closure, Includes one 12 count splice tray
8006920	COYOTE PUP Cross-Connect/Express Closure, with 6-port end plate, includes two 12 count splice trays
8006921	COYOTE PUP Cross-Connect/Express Closure, with 4-port end plate, includes two 12 count splice trays
8006911	6" x 22" (152 mm x 431 mm) COYOTE Cross-Connect/Express Closure, with 6-port end plate, includes two 36 count splice trays
8006912	6" x 22" (152 mm x 431 mm) Cross-Connect/Express Closure, with 4-port end plate, includes two 36 count splice trays
8006612	8.5" x 22" (215 mm x 431 mm) COYOTE Cross-Connect/Express Closure, with 6-port end plate, includes two 36 count splice trays
8006915	8.5" x 22" (215 mm x 431 mm) COYOTE Cross-Connect/ Express Closure, with 4-port end plate, includes two 36 count splice trays

Pigtail Kits and Accessories	
Catalog Number	Description
8003292	Pigtail Kit with ST Singlemode Connector (6) and Transport Tube, FIELD
8003314	Pigtail Kit with SC Singlemode Connector (6) and Transport Tube, FIELD
8003316	Pigtail Kit with FC Singlemode Connector (6) and Transport Tube, FIELD
8003293	Pigtail Kit with ST Singlemode Connector (6) and Transport Tube, SERVICE
8003315	Pigtail Kit with SC Singlemode Connector (6) and Transport Tube, SERVICE
8003317	Pigtail Kit with FC Singlemode Connector (6) and Transport Tube, SERVICE
8003368	Pigtail Transition Tube Kit, includes one Transport Tube with Transition and Reducing Tubes