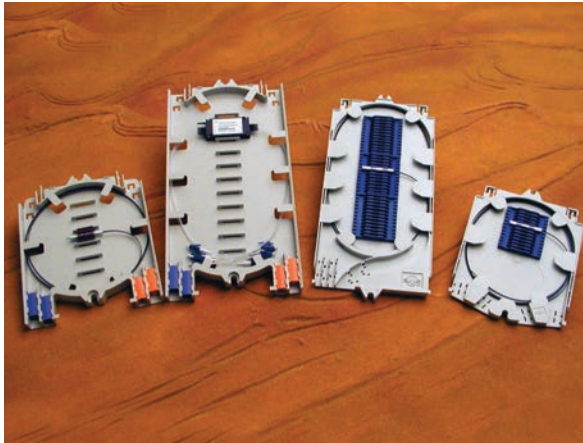
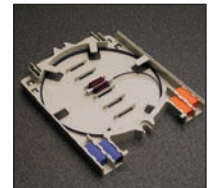


## COYOTE® Splitters



The Splitter Modules utilize PLC chips manufactured with Plasma Chemical Vapor Deposition (P-CVD) technology, and its patented fabrication process for providing stable optical specifications. The Modules' silica on silica waveguide and optical fiber array are tested to Telcordia GR-1209 and GR-1221. The splitters are designed to have low insertion loss, low polarization dependent loss (PDL), and high port uniformity.

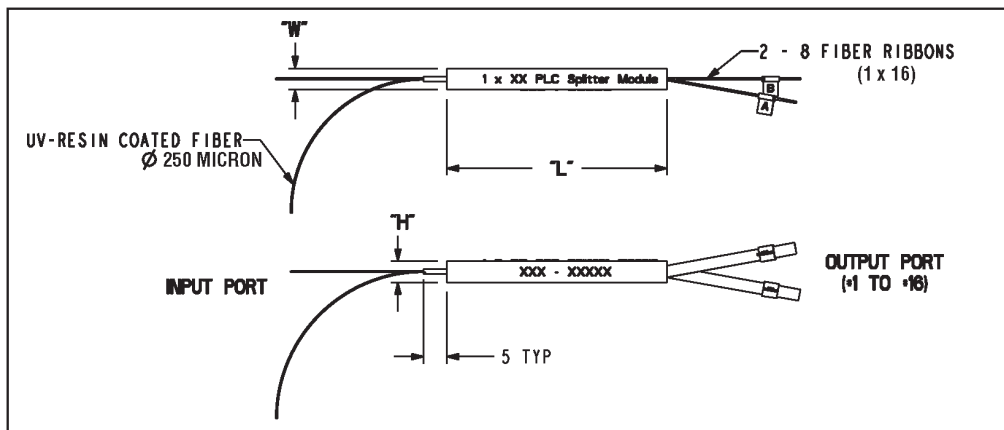


### Features

- 1 x 4, 1 x 8, 1 x 16, and 1 x 32
- Telcordia GR-1209 and GR-1221 qualified
- Low Insertion Loss, PDL
- High output uniformity
- Compact package
- Connectorized versions available upon request

Splitter Cat. No.	Splitter Ratio	Use with Splice Tray Kit Part No.				
COYSP1x4	1 x 4	80808945, LGSTR144, LGSTS72, LGSTR216, LGSTS-SPLIT, LGSTL-SPLIT, 80806033, 80805514				
COYSP1x8	1 x 8	80808945, LGSTR144, LGSTS72, LGSTR216, LGSTS-SPLIT, LGSTL-SPLIT, 80806033, 80805514				
COYSP1x16	1 x 16	80808945, LGSTR144, LGSTS72, LGSTR216, LGSTS-SPLIT, LGSTL-SPLIT, 80805514				
COYSP1x32	1 x 32	80808945, LGSTR144, LGSTS72, LGSTR216, LGSTS-SPLIT, LGSTL-SPLIT, 80805514				
PLC Splitter Specifications		Units	1 x 4	1 x 8	1 x 16	1 x 32
Operating Wavelength		nm	1260 - 1650	1260 - 1650	1260 - 1650	1260 - 1650
Insertion Loss Max.		dB	7.2 <sup>1</sup> Max. 8.0 <sup>2</sup> Typ. 7.7 <sup>2</sup>	10.5 <sup>1</sup> Max. 11.5 <sup>2</sup> Typ. 11.0 <sup>2</sup>	13.5 <sup>1</sup> Max. 14.5 <sup>2</sup> Typ. 14.2 <sup>2</sup>	16.5 <sup>1</sup> Max. 17.5 <sup>2</sup> Typ. 17.2 <sup>2</sup>
Uniformity Max.		dB	0.6 <sup>1</sup>	0.8 <sup>1</sup>	1.2 <sup>1</sup>	1.7 <sup>1</sup>
PDL Max.		dB	0.2 <sup>1</sup>	0.3 <sup>1</sup>	0.3 <sup>1</sup>	0.3 <sup>1</sup>
Return Loss Min.		dB	55.0 <sup>1</sup>	55.0 <sup>1</sup>	55.0 <sup>1</sup>	55.0 <sup>1</sup>
Directivity Min.		dB	55.0	55.0	55.0	55.0
Operating Temperature		°C	-40 to +85	-40 to +85	-40 to +85	-40 to +85
Pigtails		m	1 (Standard) or Custom Length Available (Input/250 Micron, Output/Ribbon fiber)			
Dimensions (L x W x H)		mm	40 x 4 x 4	40 x 4 x 4	40 x 4 x 4	50 x 7 x 4

<sup>1</sup>Excluding WDL (Wavelength Dependant Loss) and TD (Temperature Dependant Loss). Measured at room temp. 1310nm and 1550nm. <sup>2</sup>Including WDL and TD. 1 x 2 FBT Splitters and 1 x 64 PLC Splitter Modules are available upon request.



### Splitters

- DTC
- LCC
- In-Line RUNT
- Terminal
- ONE
- 6.5" Domes
- 9.5" Domes
- GLC
- MPC

Splitters