



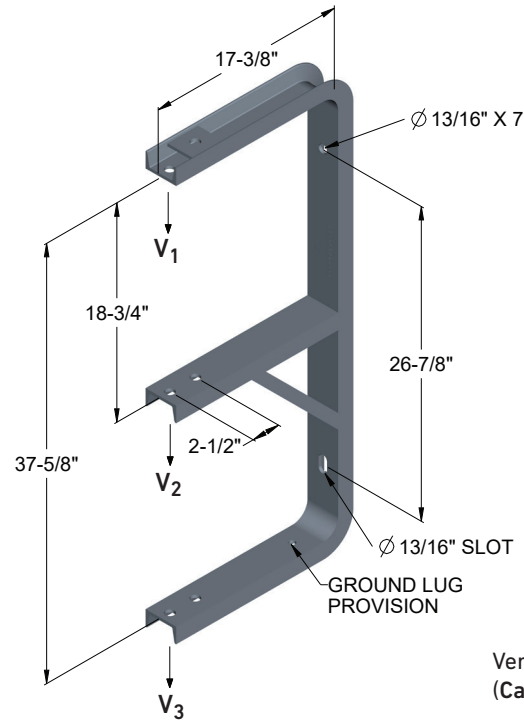
## VERTICAL TAP/ANGLE BRACKET

The **Vertical Tap Angle Bracket** converts compact diamond to a vertical orientation for use as a termination point for lateral taps and turning angles for the phase conductors of the aerial spacer cable system. The Vertical Tap/Angle Bracket provides a cost-effective solution compared to standard crossarm construction. The bracket is ideally suited to be used with INSULIGN® Tie Top Insulators with Coated Ties or INSULIGN® Vise Top Polymer Insulators in conjunction with the DIP-10 insulator plate when angles require double pin construction. The brackets are interchangeable with other manufacturers' spacer cable systems.

### FEATURES AND BENEFITS

- Lateral termination point for convenient circuit tapping
- Cost-effective alternative to crossarm transitions
- Vertical orientation to facilitate heavy line angles and simplified taps
- Pole mounting is achieved by using either 5/8" or 3/4" double arming or through bolts (not included)
- Provisional ground lug hole

## DIMENSIONS



Vertical Tap/Angle Bracket  
(Catalog Number: ABV-35)

Catalog Number	System Voltage	Line Angle	Conductor Size	Insulator(s)	DIP-10 Insulator Plate
		Degrees			
ABV-35	15kV	7 - 60	All	IP-15-X IP-15-VTY IP-15-PVTY	N/A
		61 - 90			Required
	25kV / 35kV	7 - 44	All	IP-25-XZ IP-25-VTYZ IP-25-PVTYZ IP-35-XZ IP-35-VTYZ IP-35-PVTYZ	N/A
		45 - 60	Below 336.4		N/A
		45 - 60	336.4 or larger		Required
		61 - 90	All		Required

\*This is the minimum insulator pin length required for clearance of the insulator with the channel bracket  
X = Neck size designation, Y = Vise Top insert material, Z = Insulator pin size – 1" or 1-3/8"

## ORDERING INFORMATION

### Vertical Tap/Angle Bracket

Catalog Number	System Voltage	Minimum Yield Load			Weight	Material
		V1	V2	V3		
		lb	lb	lb	lb	
ABV-35	46kV and below	1150	1600	1100	38	Galvanized Steel

**NOTE:** Hot dip galvanized per ASTM A153 or A123 (latest version)