



## POLE TOP EXTENSION BRACKET

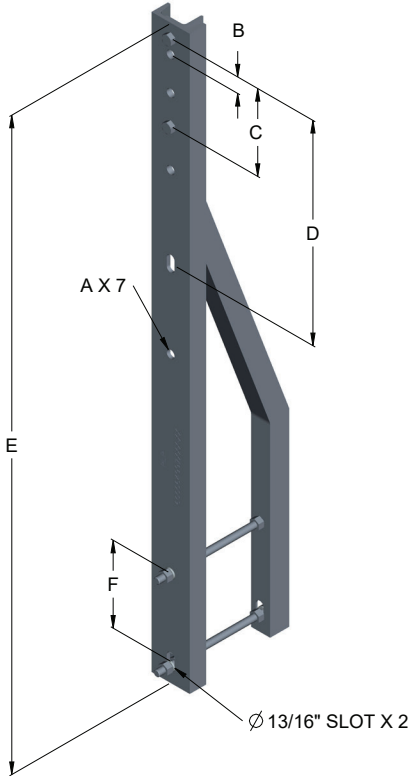
The **Pole Top Extension Bracket** can be utilized to increase or obtain the required clearances when adding circuits on an existing pole line. The Pole Top Extension is compatible with tangent and angle structures. The brackets are constructed of a 4" channel section and formed angle member to provide the strength for the addition of a circuit or other hardware. Hardware for assembly and pole mounting is provided. The brackets are interchangeable with other manufacturers' spacer cable systems. Proper guying practices are always to be followed as is defined in the National Electric Safety code and the customer standards.

### FEATURES AND BENEFITS

- Costly pole replacements can be deferred or eliminated
- Clearance between standard construction of primary underbuilds is achieved
- Pole mounting is achieved by using the provided 5/8" double arming bolts
- The provided 5/8" double arming bolts can be changed out for 3/4" double arming or through bolts (not included)
- Utilizes a standard 8" mounting spacing for compatibility on predrilled poles
- Maximum pole diameter is 8 inches



# DIMENSIONS



Pole Top Extension Bracket  
(Catalog Number: PTX-60 and PTX-75)

# ORDERING INFORMATION

## Pole Top Extension Bracket

Catalog Number	Dimensions						Weight	Material
	A	B	C	D	E	F		
	in						lb	
PTX-60	13/16	1.5	8	20.5	60	8	42	Galvanized Steel
PTX-75	13/16	1.5	8	20.5	75	8	55	Galvanized Steel

**NOTE:** Hot dip galvanized per ASTM A153 or A123 (latest version)