

POWER RAIL™

Commercial Mounting System
XD/UD and LD/MD Rails



 COMMUNICATIONS  ENERGY  SPECIAL INDUSTRIES  SOLAR



 **DPW** | SOLAR
MOUNTING SOLUTIONS



POWER RAIL™ Commercial Mounting System – XD/UD and LD/MD Rails

PV module mounting system is engineered for longer span and cantilever distances for commercial roof top or open structure applications.

The Power Rail commercial mounting system is designed with the professional PV solar installer in mind. Both the XD/UD and LD/MD rails feature single tool assembly with the revolutionary patented RAD™ Lock-in-Place bolt for fast and secure module clamping.

The high strength marine-grade aluminum rails include an integral wiring channel for securing cables and providing a professional finish.

Mounting Rail Options*

XD/UD Rail Engineered to save cost on commercial & shade structure applications

LD/MD Rail Engineered for long span commercial & shade structure applications

* Reference Rail Span and Cantilever Charts located at www.dpwsolar.com.



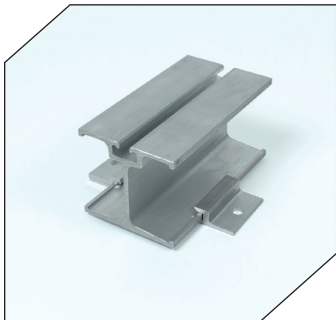
Reliable

- Engineered rail profiles for maximum strength-to-weight ratio
- Structural Aluminum rigid rail construction
- High Strength stainless steel module clamps and hardware
- UL2703 Code Compliant



Quick Assembly

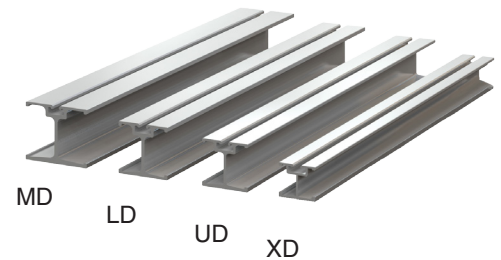
- Longer spans/cantilevers – fewer attachments
- Single tool assembly
- RAD bolt for quick and secure clamp placement
- Integral wiring channel for securing cables
- Rail lengths up to 40 feet – less splices
- Integrated grounding



Rail with mounting bracket

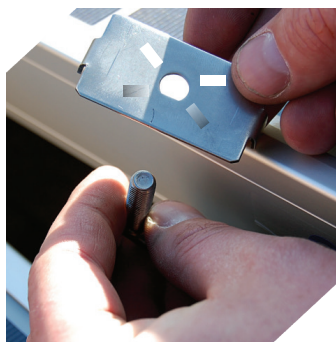
Standard Rail Lengths

Length	XD Part #	UD Part #	LD Part #	MD Part #
242"	XD-242	UD-242	LD-242	MD-242
282"	XD-282	UD-282	LD-282	MD-282
324"	XD-324	UD-324	LD-324	MD-324



Power Rail Extrusions

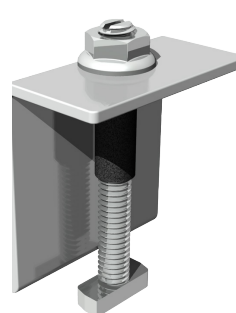
POWER RAIL™ Commercial Mounting System – XD/UD and LD/MD Rails



Lock-In-Place RAD Bolt

AMP™ Mid Clamp with RAD™ Bolt Hardware

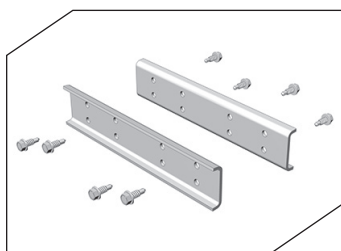
- Eliminates the need for a separate bonding washer
- Twist in anywhere along rail channel - avoid sliding bolts
- Visual indicator of bolt orientation
- “D” hold on mating clamp locks bolt from rotating back out
- Tight 3/8" module spacing
- High Strength stainless steel clamp and bolt



End Clamp with RAD Bolt



AMP Mid Clamp with RAD Bolt

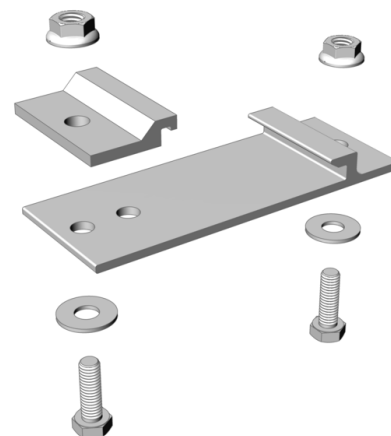


Each kit includes (2) splice plates with self-tapping screws

XD/UD, LD/MD Splice Plate Kits and Mounting Brackets

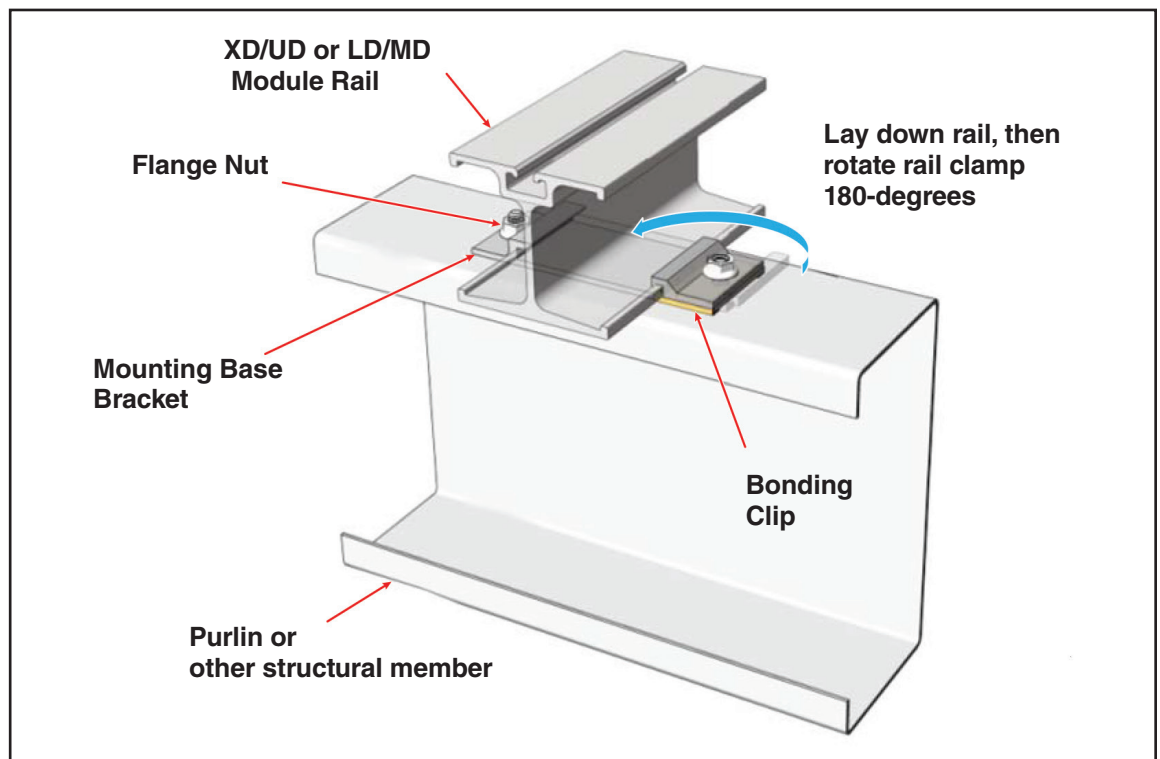
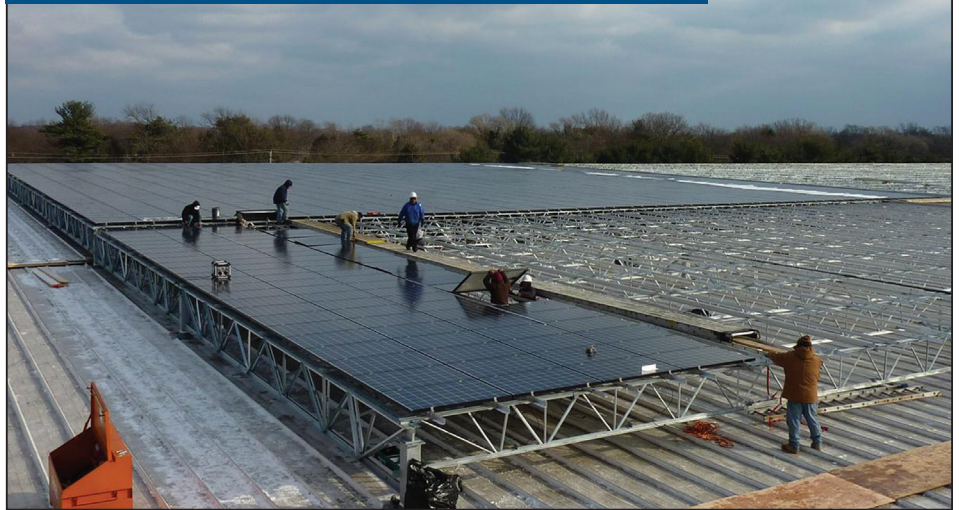
- Splice Plate installs quickly with self cutting screws provided
- Rail Clamp swivels for easier rail placement
- Universal Mounting Base Bracket - XD/UD, LD/MD Rail

Part #	Description
XD-SPK	Splice Kit - XD Rail
UD-SPK	Splice Kit - UD Rail
LD-SPK	Splice Kit - LD Rail
MD-SPK	Splice Kit - MD Rail
MBB-LD-MD	LD/MD Mounting Base Bracket
MBB-XD-UD	XD/UD Mounting Base Bracket
MBB-GC	Grounding Washer for MBB-LD-MD Base Bracket



Mounting Base Bracket with 5/16" Hardware

Commercial Installations



PREFORMED
LINE PRODUCTS

World Headquarters
660 Beta Drive
Cleveland, Ohio 44143

Mailing Address:
P.O. Box 91129
Cleveland, Ohio 44101

Telephone: 800.260.3792
Fax: 505.881.0933
Web Site: www.DPWSolar.com
E-mail: info@DPWSolar.com

© 2016 Preformed Line Products
Printed in U.S.A.
SL-SS-1115-1
11.16.JH

