

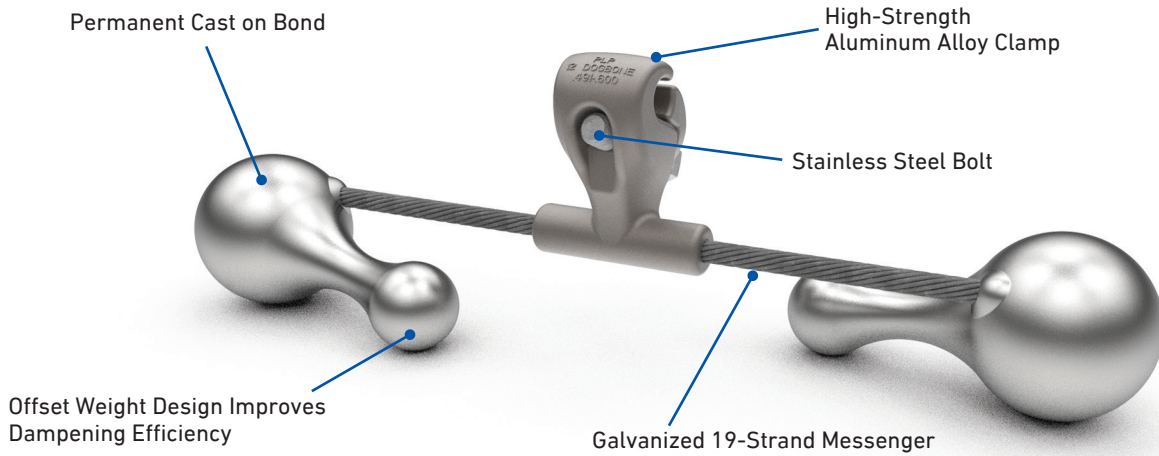
DOGBONE® VIBRATION DAMPER

The **DOGBONE Vibration Damper** is designed to eliminate guy wire fatigue damage and line maintenance costs by effectively reducing aeolian vibration. The messenger cable and unique "dog bone" shape of the masses are designed to achieve optimal energy dissipation and minimal clamp movement. The mechanical impedance of the damper is matched to the guy wires to optimize performance. The offset dogbone-shaped masses also introduce a torsional mode of vibration damping not present in conventional Stockbridge type dampers. The DOGBONE Vibration Damper is a development resulting from our extensive experience and research in the field of guy wires vibration control.

FEATURES AND BENEFITS

- The messenger cable and DOGBONE Vibration Damper weights are sized to give additional resonant modes and wider effective frequency response.
- Concept is based on the known and proven principles of the Stockbridge damper but embodies improvements which increase both power dissipation and range of frequency response beyond those of standard Stockbridge types.

COMPONENTS



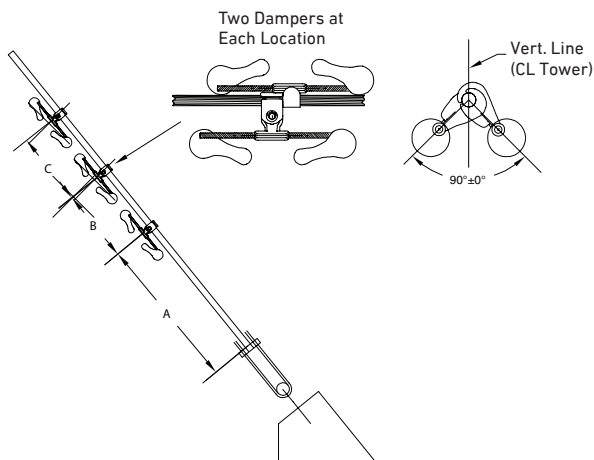
DOGBONE Vibration Damper

Component	Material/Description
Clamp	Cast of high-strength aluminum alloy
Bolt	Galvanized bolt
Flat Washer	Galvanized steel
Messenger	Exclusive preformed 19 strand EHS galvanized steel
Masses	High-grade zinc

CAUTION: Due to the many parameters involved, please contact PLP for optimum damper recommendations, placements and quantities.

NOTE: A pair of dampers is required at each placement location, phased 90 degrees apart; please refer to the “DOGBONE Tower Placements” Spec Sheet for more information.

DAMPER PLACEMENT



Contact PLP’s Technical Support at (440) 461-5200 for product selection and product placement.

ORDERING INFORMATION

EXAMPLE: TDB3-21

Catalog Number	Nominal Strand Size*	Overall Length
	in	in
TDB1-09	3/8 - 7/16	16.30
TDB1-12	1/2	16.30
TDB2-12	9/16 - 5/8	18.50
TDB2-18	11/16 - 13/16	18.80
TDB3-21	7/8 - 15/16	18.80
TDB3-24	1 - 1-1/16	18.80
TDB3-27	1-1/18 - 1-3/16	18.80
TDB3-30	1-1/4 - 1-5/16	18.80
TDB4-34	1-3/8 - 1-7/16	23.60
TDB4-38	1-1/2 - 1-11/16	23.60
TDB5-42	1-3/4 - 2	33.00

TDB: Product Code (Tower Dogbone Damper)
3: Weight Combination (1, 2, 3, etc. Clamp selection based on cable diameter)
21: Clamp Code (12, 18, 21, etc. Clamp selection based on cable diameter)
 *For strand sizes not listed, please contact PLP Technical Support.