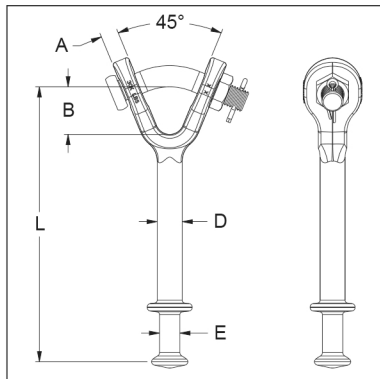
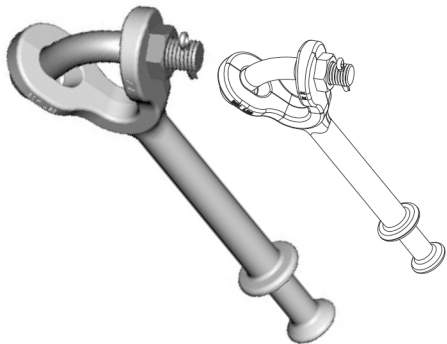


Ball Y-Clevis Link



Features

Body	Forged steel, hot dip galvanized
Hardware	Galvanized steel
Cotter Pin	Stainless steel

Catalog Number	General Dimensions inches (mm)						For Use with Insulators per ANSI Class Spec. C-29.2-71	Vertical Ultimate Strength lbf (kN)	Wt. Per 100 Units lbs (kg)
	A	B	D	E	L	PD			
BYCL-30	5/8 (16)	1-11/16 (42.7)	7/8 (22.2)	11/16 (18)	9-5/8 (244)	3/4 (19)	52-3 and 52-5	30,000 (133)	330 (150)
BYCL-50	3/4 (19)	1-5/8 (41.1)	15/16 (24)	7/8 (22.6)	11 (279)	7/8 (22.6)	52-8 and 52-11	50,000 (222)	480 (217)