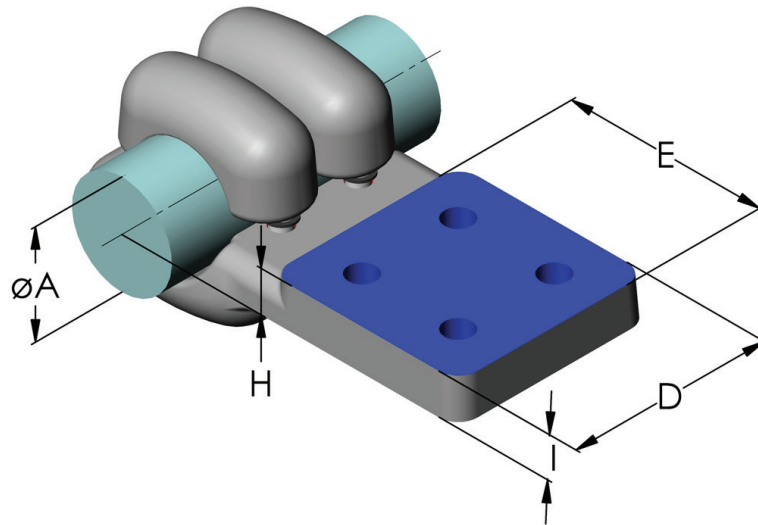


Al-T-Flat Terminal Connector



Catalog Number	Voltage	ØA *	Covers A	ØB *	Flat Terminal		
					D	E	I
T1FK-023	245 kV	16,0-22,0	2	0	80	80	12
T1FK-024	245 kV	16,0-24,0	2	0	100	100	12
T1FK-025	245 kV	16,0-24,0	2	0	100	90	12
T1FK-031	245 kV	22,0-33,0	2	0	80	80	12
T1FK-032	245 kV	22,0-33,0	3	0	80	80	12
T1FK-033	245 kV	22,0-32,0	3	32	125	125	14
T1FK-034	245 kV	22,0-33,0	3	50	80	80	14
T1FK-036	245 kV	20,3-33,8	3	40	100	100	16
T1FK-037	420 kV	30,0-44,0	3	40	100	100	15
T1FK-039	245 kV	30,0-40,0	4	0	75	75	20
T1FK-040	245 kV	30,0-40,0	4	0	75	75	20
T1FK-041	245 kV	30,0-42,0	3	0	80	80	20
T1FK-042	245 kV	30,0-42,0	3	0	100	100	15
T1FK-043	420 kV	30,0-40,0	3	70	100	100	15
T1FK-045	245 kV	30,0-42,0	3	40	150	100	13
T1FK-046	420 kV	30,0-44,0	3	43	200	100	15
T1FK-047	420 kV	45,5-46,5	2	0	80	80	15
T1FK-050	420 kV	40,0-52,0	2	0	100	100	20
T1FK-060	245 kV	60-63	2	0	75	75	20

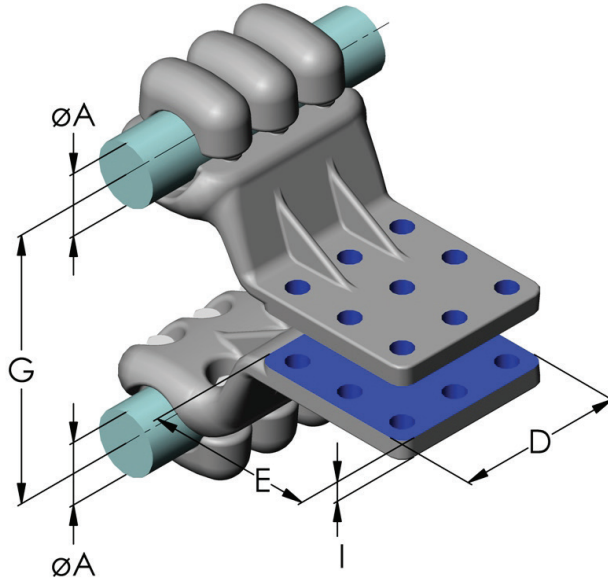
*Dimensions are in millimeters. Please specify exact diameter in case of order.

Al-T-Flat Terminal Connector

Catalog Number	Voltage	ØA *	Covers A	ØB *	Flat Terminal		
					D	E	I
T1FK-081	145 kV	80	2	102	200	100	12
T1FK-082	145 kV	80	2	102	100	100	12
T1FK-083	420 kV	80	2	0	100	100	20
T1FK-100	245 kV	100	2	0	100	100	20
T1FK-101	245 kV	100	2	0	50	50	20
T1FK-102	245 kV	100	2	0	80	80	20
T1FK-120	550 kV	114,3-120	2	0	100	100	25
T1FK-160	550 kV	150-160	2	0	100	100	25
T1FK-161	550 kV	160	2	0	75	100	25
T1FK-162	420 kV	160	1	0	100	100	25
T1FK-250	420 kV	250	2	0	125	125	25
T1FK-536	245 kV	18,3-33,8	3	40	100	100	16

*Dimensions are in millimeters. Please specify exact diameter in case of order.

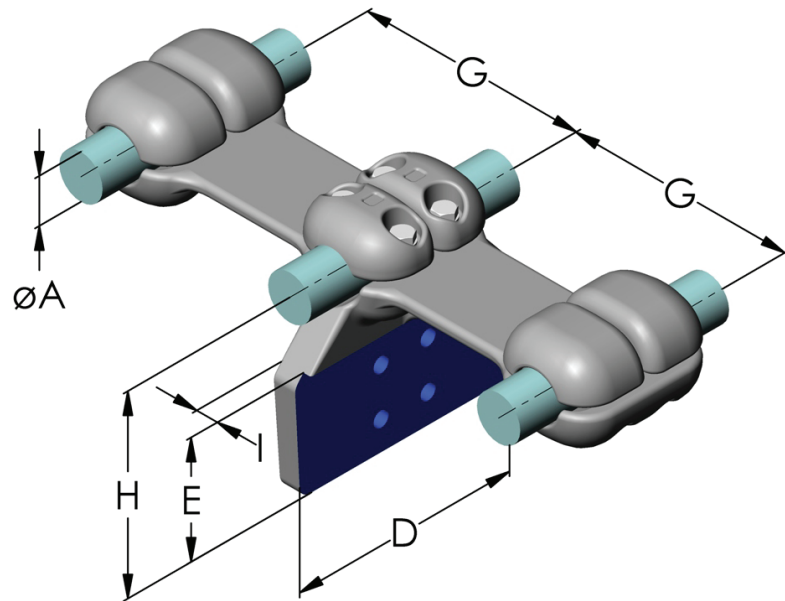
Al-T-Duplex flat terminal connector



Catalog Number	Voltage	ØA *	Covers A	Bundle-spacing G	Flat terminal		
					D	E	I
T2FK-025	420 kV	29,0-33,0	3	50	200	100	15
T2FK-026	420 kV	29,0-33,0	3	50	100	100	15
T2FK-031	245 kV	20,0-33,0	3	100	100	100	32
T2FK-033	245 kV	22,0-33,0	3	120	80	80	14
T2FK-034	420 kV	30,0-42,0	3	160	100	100	15
T2FK-035	420 kV	22,0-33,0	3	84	125	125	14
T2FK-042	245 kV	30,0-42,0	3	100	150	100	12
T2FK-043	420 kV	30,0-44,0	3	100	200	100	15
T2FK-045	420 kV	26,0-42,0	3	200	125	125	12
T2FK-050	245 kV	40,0-52,0	3	200	100	100	15
T2FK-051	420 kV	45,5-46,5	3	200	125	125	15
T2FK-403	550 kV	45,5-46,5	3	400	125	125	40

*Dimensions are in millimeters. Please specify exact diameter in case of order.

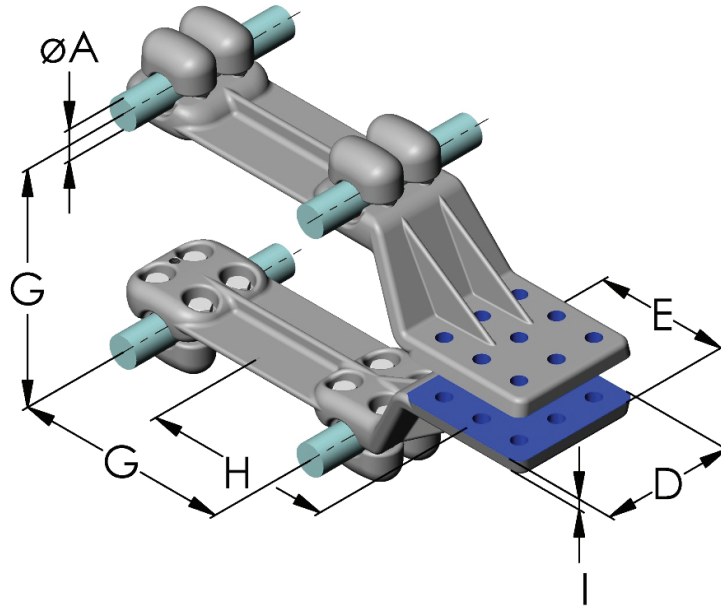
Al-T-Triplex flat terminal connector



Catalog Number	Voltage	ØA *	Covers A	Bundle-spacing G	Height H	Flat Terminal		
						D	E	I
T3FK-038	550 kV	38,0-39,0	2	200	175	125	125	25
T3FK-040	550 kV	28,5-44,0	2	200	162	200	100	20
T3FK-532	550 kV	20,3-33,6	2	200	172	125	125	25
T3FK-541	420 kV	32,0-42,0	1	100	0	100	100	15

*Dimensions are in millimeters. Please specify exact diameter in case of order.

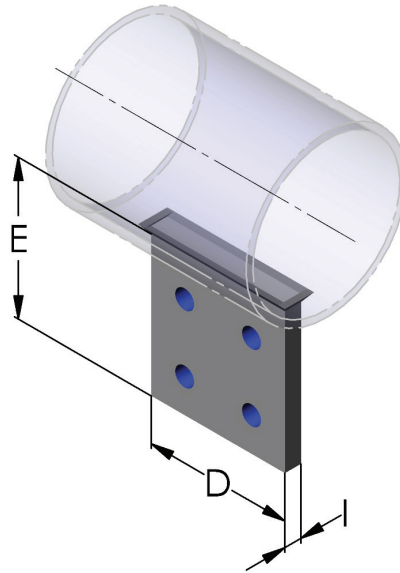
Al-T-Quadruple flat terminal connector



Catalog Number	Voltage	ØA *	Covers A	Bundle-spacing G	Height H	Flat Terminal		
						D	E	I
T4FK-030	550 kV	20,3-33,8	2	200	406	125	125	15
T4FK-031	550 kV	20,3-33,8	2	200	350	125	125	20
T4FK-043	550 kV	30,0-42,0	3	200	220	300	100	20

*Dimensions are in millimeters. Please specify exact diameter in case of order.

Al-T-Flat terminal connector welded



Catalog Number	Voltage	Flat Terminal		
		D	E	I
TFW-075	145 kV	75	75	12
TFW-089	145 kV	110	100	15
TFW-090	145 kV	90	100	12
TFW-100	145 kV	100	100	12
TFW-101	145 kV	100	100	20
TFW-105	245 kV	100	110	15
TFW-106	245 kV	80	100	25
TFW-123	145 kV	125	125	15
TFW-124	145 kV	125	100	25
TFW-125	145 kV	125	125	25
TFW-126	145 kV	125	125	25
TFW-127	145 kV	125	125	35
TFW-128	145 kV	125	125	35
TFW-175	145 kV	125	150	25
TFW-185	145 kV	200	185	15
TFW-200	145 kV	200	115	15

*Dimensions are in millimeters. Please specify exact diameter in case of order.