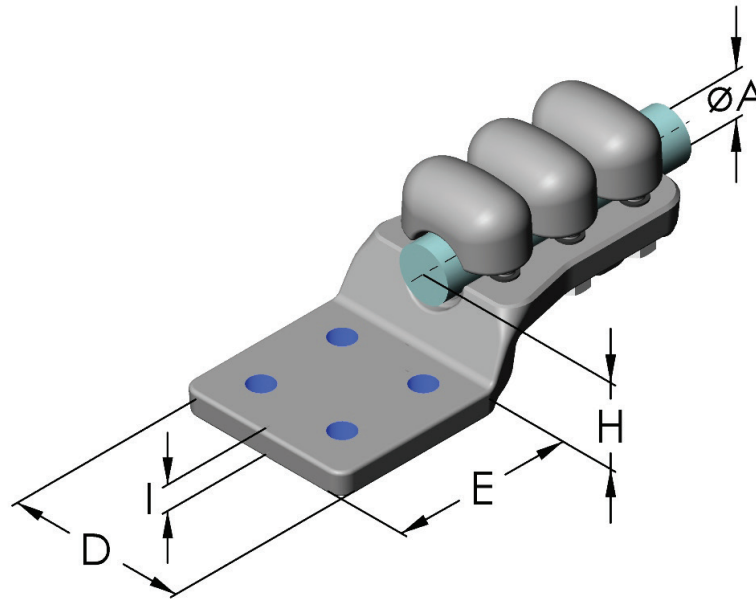


# Al-Straight Flat Terminal Connector



Catalog Number.	Voltage	ØA *	Covers A	Height H	Flat Terminal		
					D	E	I
I1FK-015	245 kV	16,0-22,0	3	46	80	80	10
I1FK-018	245 kV	16,0-22,0	2	0	80	80	12
I1FK-021	245 kV	16,0-22,0	2	25	100	100	12
I1FK-022	245 kV	16,0-22,0	3	48	100	100	12
I1FK-023	245 kV	20,4-22,5	2	0	80	80	12
I1FK-024	245 kV	22,5-24,5	2	32	100	100	12
I1FK-029	245 kV	22,0-32,0	2	63	100	100	14
I1FK-030	245 kV	22,0-32,0	2	30	80	80	12
I1FK-032A	245 kV	22,5-33,8	3	45	100	100	12
I1FK-032C	245 kV	20,0-33,0	3	45	100	100	14
I1FK-033	245 kV	22,0-32,0	3	43	125	125	14
I1FK-035	245 kV	22,0-32,0	3	30	80	80	12
I1FK-037	245 kV	30,0-40,0	2	0	75	75	15
I1FK-038	245 kV	30,0-42,0	3	0	125	125	15
I1FK-039	245 kV	30,0-42,0	2	37	100	100	15
I1FK-040	245 kV	30,0-40,0	4	42	60	60	20
I1FK-041A	420 kV	30,0-44,0	3	47	100	100	15
I1FK-041C	420 kV	30,0-44,0	3	47	100	100	15
I1FK-042	245 kV	30,0-42,0	3	37	75	75	15

\*Dimensions are in millimeters. Please specify exact diameter in case of order.

# Al-Straight Flat Terminal Connector

Catalog Number.	Voltage	ØA *	Covers A	Height H	Flat Terminal		
					D	E	I
I1FK-043	245 kV	30,0-42,0	3	37	100	100	15
I1FK-044	245 kV	30,0-40,0	4	42	125	125	20
I1FK-045	245 kV	30,0-40,0	3	55	200	100	15
I1FK-046	420 kV	30,0-42,0	3	43	80	90	18
I1FK-047	245 kV	40-50	2	46	80	80	20
I1FK-048	245 kV	20,0-32,0	3	0	60	130	20
I1FK-049	420 kV	30,0-44,0	3	85	100	100	20
I1FK-050	245 kV	50	2	60	100	100	15
I1FK-051	245 kV	40-50	3	46	100	100	20
I1FK-053	245 kV	40-52	2	55	125	125	15
I1FK-054	245 kV	30,0-40,0	4	37	100	100	15
I1FK-055	245 kV	40-52	2	55	170	125	15
I1FK-056	420 kV	30,6-44,0	4	52	99	100	20
I1FK-057	245 kV	40-50	2	28.5	60	60	20
I1FK-060	245 kV	60-63	2	72	100	100	20
I1FK-061	420 kV	60-63	2	70	170	125	20
I1FK-063	245 kV	60-63	2	72	100	100	20
I1FK-064	245 kV	60-63	3	0	125	125	20
I1FK-073	245 kV	70-80	2	90	100	100	25
I1FK-080	245 kV	80	2	90	100	100	24
I1FK-081	245 kV	80	2	107	125	125	17
I1FK-083	145 kV	80	2	102	100	100	12
I1FK-084	245 kV	80	2	0	100	100	25
I1FK-100	245 kV	100	2	0	125	125	24
I1FK-102	420 kV	100	2	90	100	100	25
I1FK-103	420 kV	100	3	0	125	125	35
I1FK-106	420 kV	100	2	0	200	100	15
I1FK-107	420 kV	100	3	110	200	100	25
I1FK-113	420 kV	100	2	130	200	100	25
I1FK-114	550 kV	114,3-120	2	130	200	95	25
I1FK-115	420 kV	114,3-125	2	115	125	125	25
I1FK-118	245 kV	120	3	120	125	125	30
I1FK-119	420 kV	114,3-120	3	132.5	200	100	25
I1FK-120	245 kV	120	2	90	100	100	25
I1FK-124	420 kV	120	2	130	100	100	25

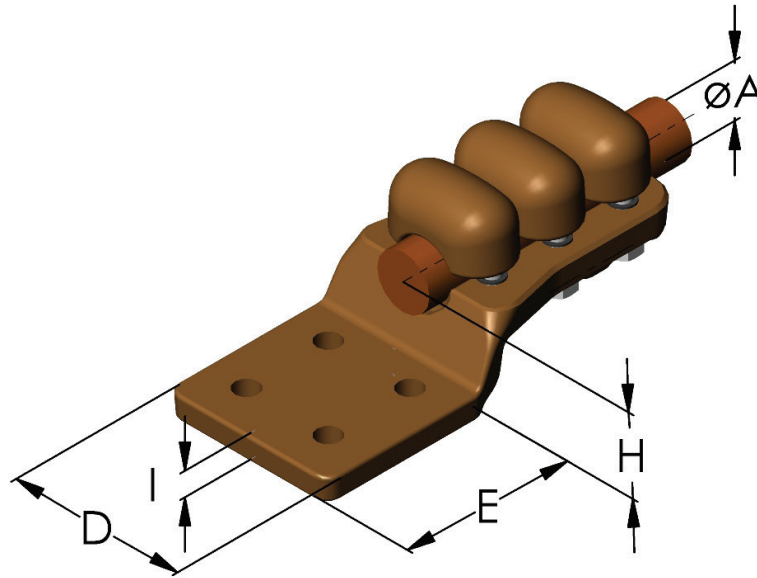
\*Dimensions are in millimeters. Please specify exact diameter in case of order.

# Al-Straight Flat Terminal Connector

Catalog Number.	Voltage	ØA *	Covers A	Height H	Flat Terminal		
					D	E	I
I1FK-125	245 kV	120-125	2	115	100	100	25
I1FK-126	550 kV	120	2	60	125	125	25
I1FK-141	550 kV	140-141,3	2	160	150	80	25
I1FK-144	420 kV	140-141,3	3	140	125	125	35
I1FK-145	550 kV	140-141,3	2	140	150	80	25
I1FK-160	245 kV	160	2	130	100	200	25
I1FK-161	420 kV	160-168	2	150	100	200	25
I1FK-164	550 kV	160-168,2	3	150	200	100	25
I1FK-332	245 kV	22,5-33,8	3	45	90	90	12
I1FK-333	245 kV	20,3-33,8	3	50	200	100	15
I1FK-342	420 kV	30,0-44,0	3	40	100	215	12
I1FK-343	420 kV	28,5-44,8	4	60	125	125	20
I1FK-532	245 kV	18,3-33,0	3	45	100	100	12
I1FK-542	420 kV	35,-44,0	2	46	100	100	15
I1FK-546	420 kV	45,5-46,5	3	50	125	125	20
I1FK-560	420 kV	160	2	130	100	100	20

\*Dimensions are in millimeters. Please specify exact diameter in case of order.

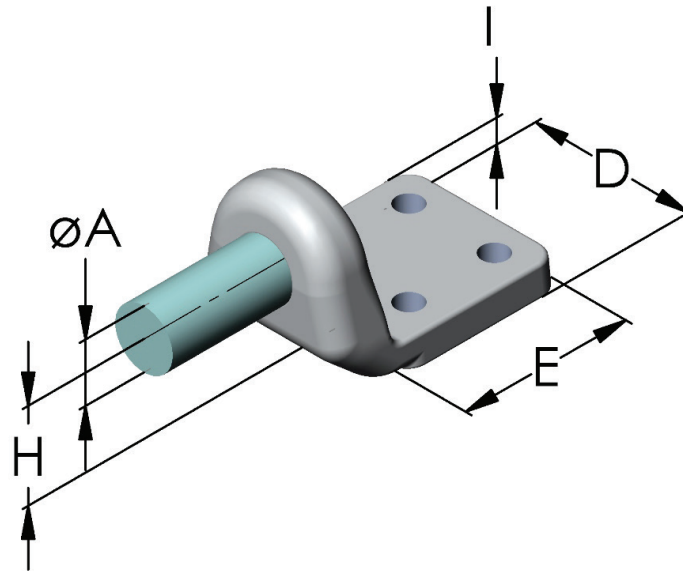
# Cu-Straight Flat Terminal Connector



Catalog Number.	Voltage	ØA *	Covers A	Height H	Flat Terminal		
					D	E	I
I1FK-008Cu	245 kV	14,3-24,5	2	25	80	80	10
I1FK-009Cu	245 kV	14,3-24,5	2	25	50	50	10
I1FK-010Cu	245 kV	14,3-24,5	2	25	100	100	10
I1FK-011Cu	245 kV	14,3-24,5	2	25	125	125	10
I1FK-012Cu	245 kV	12,5-17,5	2	26	100	100	8
I1FK-013Cu	245 kV	12,5-17,5	2	26	125	125	8
I1FK-021Cu	245 kV	14,0-21,0	2	23	100	100	10
I1FK-058Cu	245 kV	40-50	2	47	125	125	15
I1FK-059Cu	245 kV	40-50	2	47	100	100	15
I1FK-065Cu	245 kV	55.7	4	77	125	125	25
I1FK-532Cu	245 kV	18,3-33,0	3	45	100	100	12

\*Dimensions are in millimeters. Please specify exact diameter in case of order.

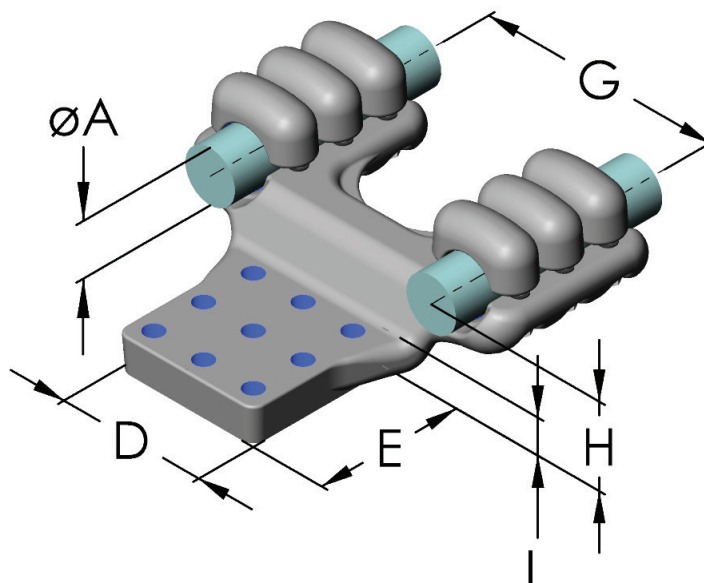
# Al-Straight Flat Terminal Connector Welded



Catalog Number.	Voltage	ØA *	Height H	Flat Terminal		
				D	E	I
I1FW-025	420 kV	33.91	40	80	80	13
I1FW-026	245 kV	25,0-26,1	40	91.7	100	12
I1FW-027	420 kV	35.1	38	80	80	12
I1FW-028	420 kV	35.1	38	80	80	12

\*Dimensions are in millimeters. Please specify exact diameter in case of order.

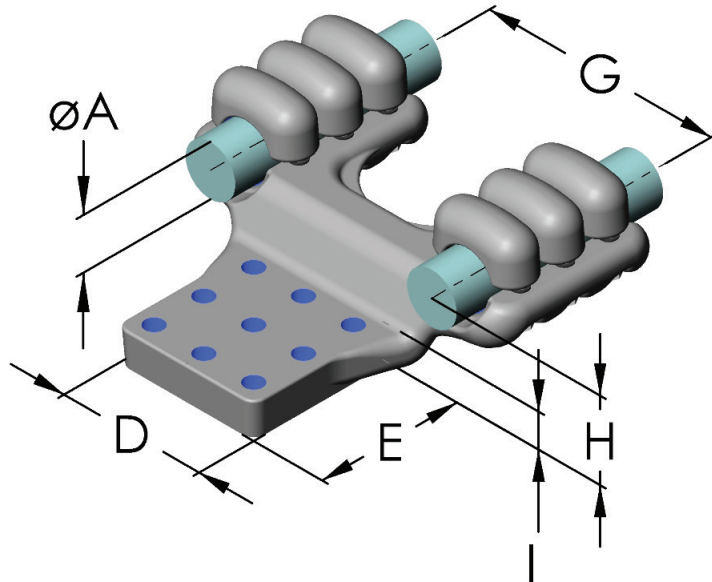
# Al-Straight duplex flat terminal connector



Catalog Number	Voltage	ØA *	Covers A	Bundle-spacing G	Height H	Flat terminal		
						D	E	I
I2FK-021	420 kV	29,0-32,6	3	50	55	200	100	15
I2FK-022	420 kV	29,0-32,6	3	50	55	100	100	15
I2FK-026	245 kV	20,0-33,0	3	100	40	80	80	20
I2FK-027	420 kV	20,0-33,0	3	100	51.5	200	100	20
I2FK-028	245 kV	20,0-33,0	3	70	50	100	100	15
I2FK-029	420 kV	30,0-42,0	3	100	65	100	100	25
I2FK-030	420 kV	30,0-42,0	3	100	50	125	125	25
I2FK-033	245 kV	20,0-33,0	3	100	50	100	100	20
I2FK-038	420 kV	30,0-42,0	3	100	50	125	125	25
I2FK-042	550 kV	30,0-42,0	3	200	55	200	100	20
I2FK-043	245 kV	30,0-40,0	4	85	85	125	125	30
I2FK-044	420 kV	30,0-42,0	3	200	0	125	125	25
I2FK-047	420 kV	30,0-42,0	3	100	0	80	80	24
I2FK-048	420 kV	30,0-42,0	4	90	45	125	125	25
I2FK-055	550 kV	45,5-46,5	3	400	32	125	125	30
I2FK-056	420 kV	30,0-44,0	4	100	0	100	100	30
I2FK-091	420 kV	28,5-33,8	3	50	54	127	160	20
I2FK-243	420 kV	28,5-44,8	3	100	50	160	160	25

\*Dimensions are in millimeters. Please specify exact diameter in case of order.

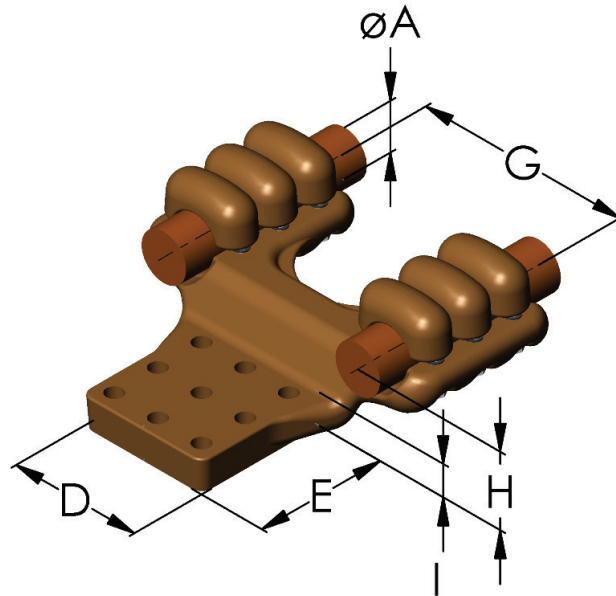
# Al-Straight duplex flat terminal connector



Catalog Number	Voltage	ØA *	Covers A	Bundle-spacing G	Height H	Flat terminal		
						D	E	I
I2FK-245	550 kV	46.3	3	150	50	200	100	20
I2FK-246	420 kV	46.3	3	200	50	200	100	20
I2FK-520	245 kV	16,0-24,0	2	100	30.5	100	100	15
I2FK-530	420 kV	28,5-33,0	2	100	30	125	125	15
I2FK-531	245 kV	24,5-32,6	2	100	36	100	100	15
I2FK-532	550 kV	24,6-32,6	2	200	95	200	100	17
I2FK-533	245 kV	24,5-32,6	2	100	36	80	80	15
I2FK-536	245 kV	30,0-42,0	2	100	50	100	100	20
I2FK-539	420 kV	28,5-33,8	3	100	45	100	160	15
I2FK-546	420 kV	45,5-46,5	3	200	70	125	125	30
I2FK-555	550 kV	46,0-55,0	2	400	0	200	100	15

\*Dimensions are in millimeters. Please specify exact diameter in case of order.

# Cu-Straight duplex flat terminal connector

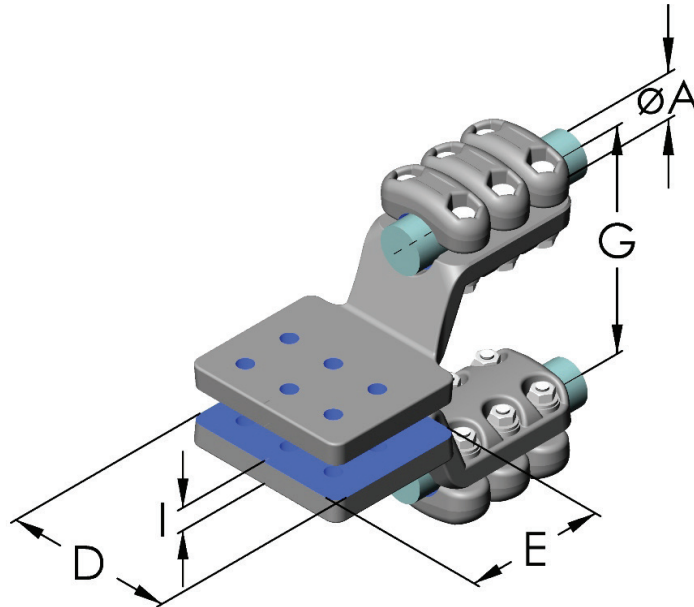


Catalog Number	Voltage	$\varnothing A$ *	Covers A	Bundle-spacing G	Height H	Flat terminal		
						D	E	I
I2FK-017Cu	245 kV	12,5-17,5	2	100	26	100	100	12
I2FK-019Cu	245 kV	20,3-30,6	2	200	35	100	100	12
I2FK-027Cu	145 kV	21,0-30,0	3	85	36	130	130	20

\*Dimensions are in millimeters. Please specify exact diameter in case of order.



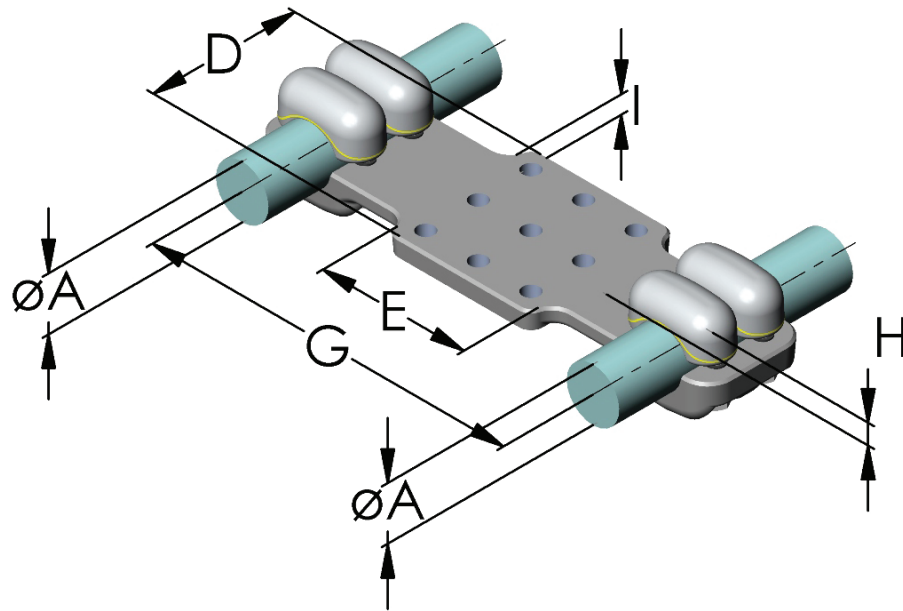
# Al-Straight duplex flat terminal connector twisted



Catalog Number	Voltage	ØA *	Covers A	Bundle-spacing G	Flat terminal		
					D	E	I
I2FK-020	245 kV	22,0-32,0	2	140	100	100	28
I2FK-023	245 kV	22,0-32,0	2	150	100	100	14
I2FK-036	245 kV	29,4-42,0	3	100	100	100	15
I2FK-041	245 kV	30,0-44,0	3	185	100	100	20
I2FK-046	245 kV	30,0-42,0	3	100	200	100	15
I2FK-049	420 kV	30,0-44,0	3	200	100	100	20
I2FK-050	420 kV	30,6-44,0	3	100	100	100	14
I2FK-052	245 kV	30,0-44,0	2	100	100	200	15
I2FK-053	245 kV	22,0-33,0	3	100	100	100	12
I2FK-054	550 kV	45,5-46,5	2	400	100	100	20
I2FK-100	420 kV	35,0-44,0	2	100	100	100	15
I2FK-242	420 kV	30,0-44,0	3	100	100	215	12
I2FK-247	420 kV	46.3	3	200	125	125	20
I2FK-457	245 kV	18,3-33,5	2	457	100	100	15

\*Dimensions are in millimeters. Please specify exact diameter in case of order.

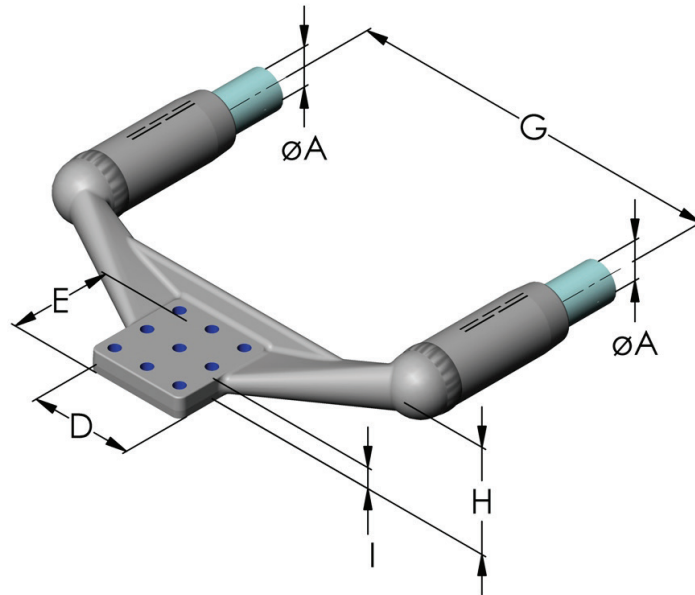
# Al-Straight duplex flat terminal connector bolted



Catalog Number	Voltage	ØA *	Covers A	Bundle-spacing G	Height H	Flat terminal		
						D	E	I
I2FK-241	420 kV	28,5-44,0	2	200	50	100	100	20
I2FK-340	245 kV	30,0-42,0	2	300	0	125	125	15
I2FK-430	420 kV	20,0-33,8	3	400	24	200	100	15
I2FK-442	420 kV	36,0-37,0	3	400	22	200	100	20
I2FK-450	420 kV	30,6-44,0	3	450	50	200	100	20
I2FK-534	245 kV	24,5-26,5	2	305	0	100	80	15
I2FK-535	420 kV	35,0-37,0	3	400	50	127	8	20
I2FK-537	420 kV	35,0-37,0	2	400	50	225	8	20

\*Dimensions are in millimeters. Please specify exact diameter in case of order.

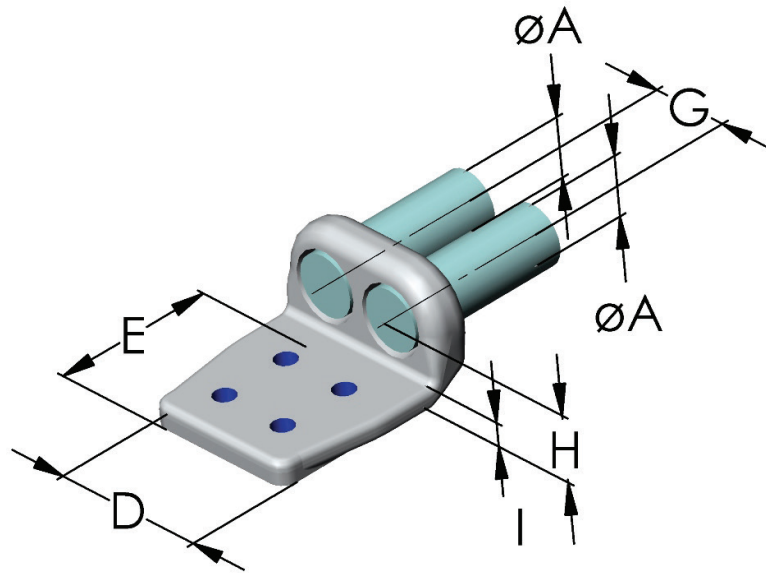
# Al-Straight duplex compression flat terminal



Catalog Number	Voltage	ØA *	Bundle-spacing G	Flat terminal		
				D	E	I
I2FP-032	245 kV	32.55	200	125	160	20
I2FP-036	245 kV	36.9	300	100	100	12
I2FP-038	420 kV	38.25	200	125	125	20
I2FP-039	420 kV	38.25	200	125	125	20
I2FP-460	550 kV	46.3	457.2	125	125	25

\*Dimensions are in millimeters. Please specify exact diameter in case of order.

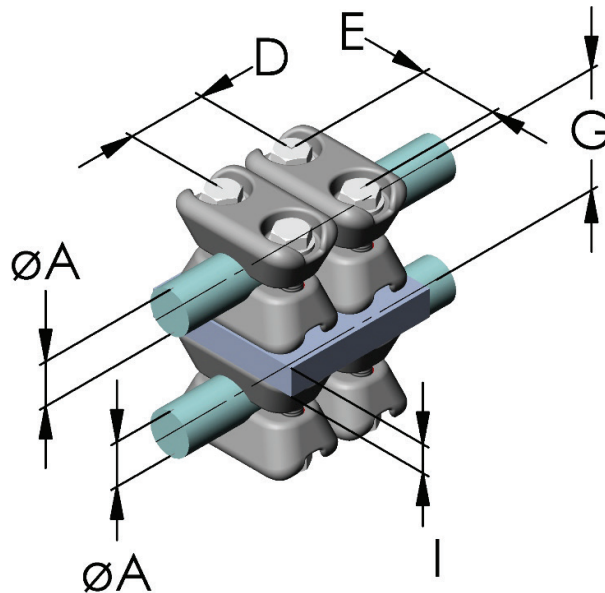
# Al-Straight duplex flat terminal connector welded



Catalog Number	Voltage	ØA *	Bundle-spacing G	Height H	Flat terminal		
					D	E	I
I2FW-025	420 kV	33.91	100	40	160	80	13
I2FW-027	420 kV	35.1	100	38	160	80	12
I2FW-028	420 kV	27,5-34,4	50	135	100	100	15
I2FW-031	245 kV	31,7-32,6	50	42	125	125	15
I2FW-032	245 kV	31,7-32,6	50	42	200	100	15
I2FW-033	245 kV	31,7-32,6	50	42	125	125	15
I2FW-034	245 kV	33,91-34,4	50	42	125	125	14
I2FW-039	420 kV	23,6-39,2	100	50	160	100	15
I2FW-050	245 kV	42.0	76	60	100	100	25

\*Dimensions are in millimeters. Please specify exact diameter in case of order.

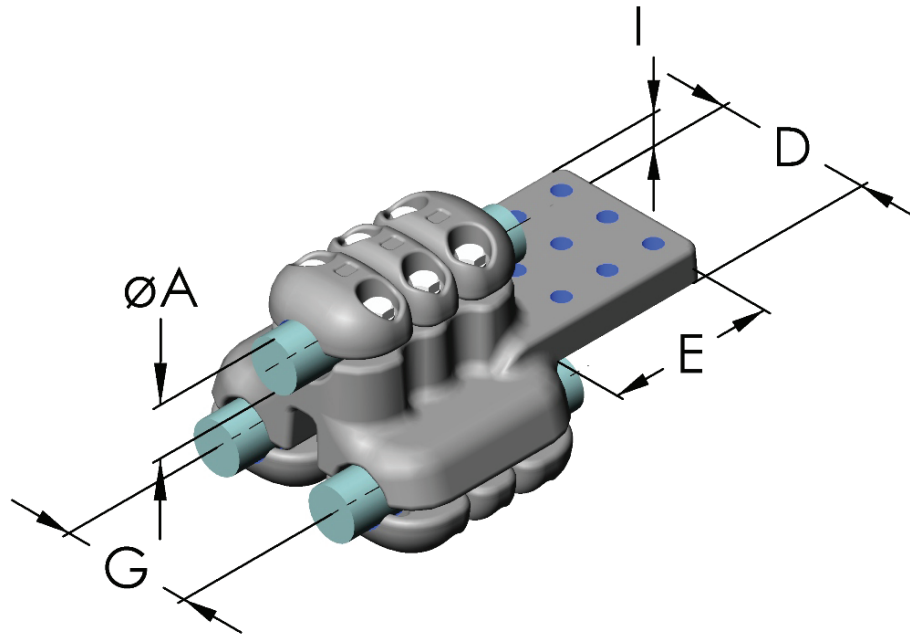
# Al-Straight duplex flat terminal twisted



Catalog Number	Voltage	ØA *	Covers A	Bundle-spacing G	Flat terminal		
					D	E	I
I2K-022	245 kV	22,5-24,5	1	56	50	50	10
I2K-024	245 kV	22,5-24,5	2	56	50	50	10
I2K-028	245 kV	20,0-27,5	2	~56	40	40	5-30
I2K-033	245 kV	20,0-32,6	2	~56	45	45	5-30
I2K-034	145 kV	20,0-32,6	2	~54	45	45	5-30
I2K-037	245 kV	24,5-36,9	2	~68	50	50	5-30

\*Dimensions are in millimeters. Please specify exact diameter in case of order.

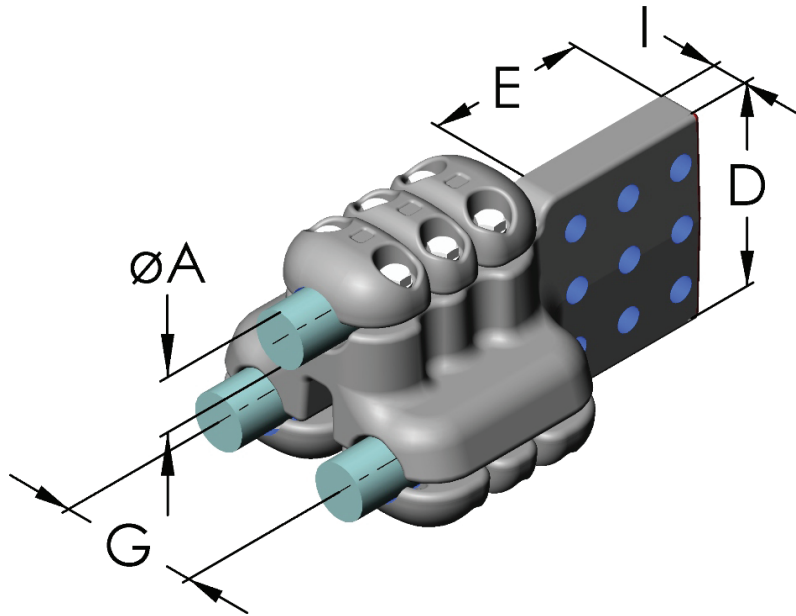
# Al-Straight triplex flat terminal connector



Catalog Number	Voltage	$\varnothing A$ *	Covers A	Bundle- spacing G	Flat Terminal		
					D	E	I
I3FK-032	550 kV	22,0-33,0	2	300	200	100	25
I3FK-033	550 kV	22,0-33,0	2	457	150	105	25
I3FK-042	550 kV	30,0-42,0	2	200	200	100	20
I3FK-043	550 kV	30,0-42,0	3	200	200	100	25
I3FK-044	550 kV	30,0-44,0	2	100	125	100	25
I3FK-330	550 kV	30,0-42,0	3	330	200	125	20

\*Dimensions are in millimeters. Please specify exact diameter in case of order.

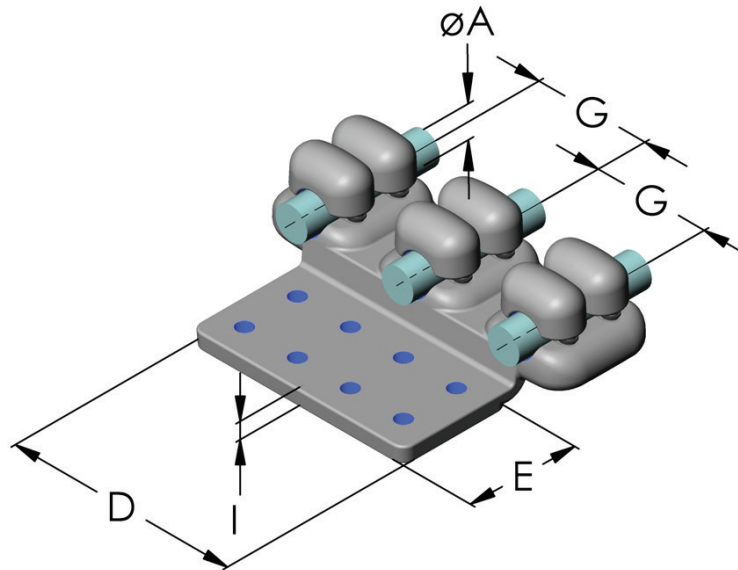
# Al-Straight triplex flat terminal connector twisted



Catalog Number	Voltage	ØA *	Covers A	Bundle-spacing G	Flat Terminal		
					D	E	I
I3FK-034	550 kV	22,0-33,0	2	457	150	152	25
I3FK-040	550 kV	30,0-42,0	3	200	120	127	30
I3FK-041	550 kV	30,0-42,0	3	200	150	127	30

\*Dimensions are in millimeters. Please specify exact diameter in case of order.

# Al-Straight triplex flat terminal connector

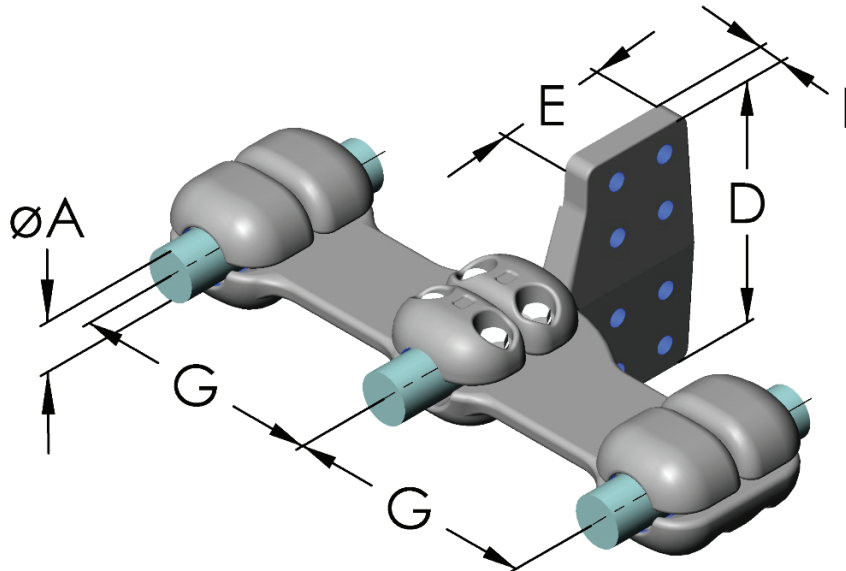


Catalog Number	Voltage	ØA *	Covers A	Bundle- spacing G	Flat Terminal		
					D	E	I
I3FK-031	420 kV	20,3-33,8	2	100	100	100	25
I3FK-046	420 kV	30,0-44,0	3	100	200	100	20
I3FK-532	550 kV	20,3-33,6	2	200	125	125	25
I3FK-533	420 kV	30,6-32,6	2	100	100	100	25
I3FK-536	420 kV	28,5-33,8	2	100	200	100	15
I3FK-542	420 kV	30,0-44,0	3	100	125	125	25

\*Dimensions are in millimeters. Please specify exact diameter in case of order.



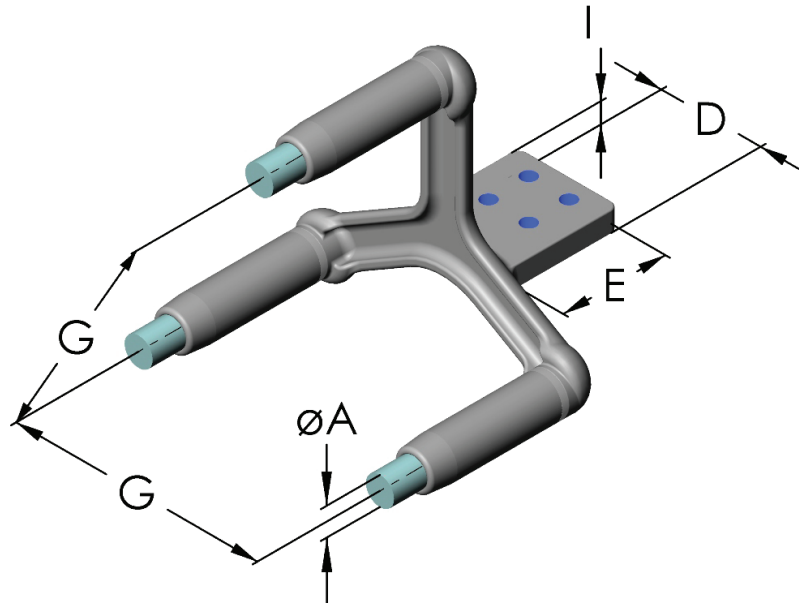
# Al-Straight triplex flat terminal connector twisted



Catalog Number	Voltage	ØA *	Covers A	Bundle- spacing G	Flat Terminal		
					D	E	I
I3FK-047	550 kV	36,9-44,0	2	200	125	125	20
I3FK-048	550 kV	28,5-44,0	2	200	200	100	20
I3FK-534	420 kV	30,6-32,6	2	100	100	100	25

\*Dimensions are in millimeters. Please specify exact diameter in case of order.

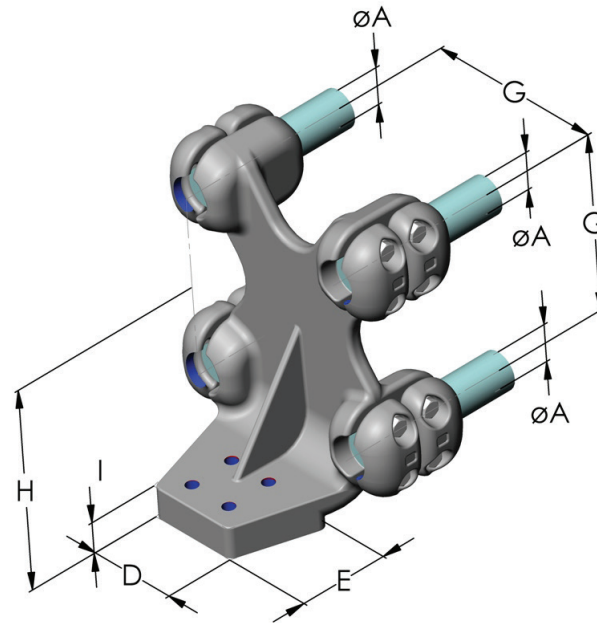
# Al-Straight triplex compression flat terminal



Catalog Number	Voltage	ØA *	Bundle-spacing G	Flat Terminal		
				D	E	I
I3FP-033	550 kV	31.96	300	125	125	25
I3FP-040	550 kV	40.7	300	125	125	25

\*Dimensions are in millimeters. Please specify exact diameter in case of order.

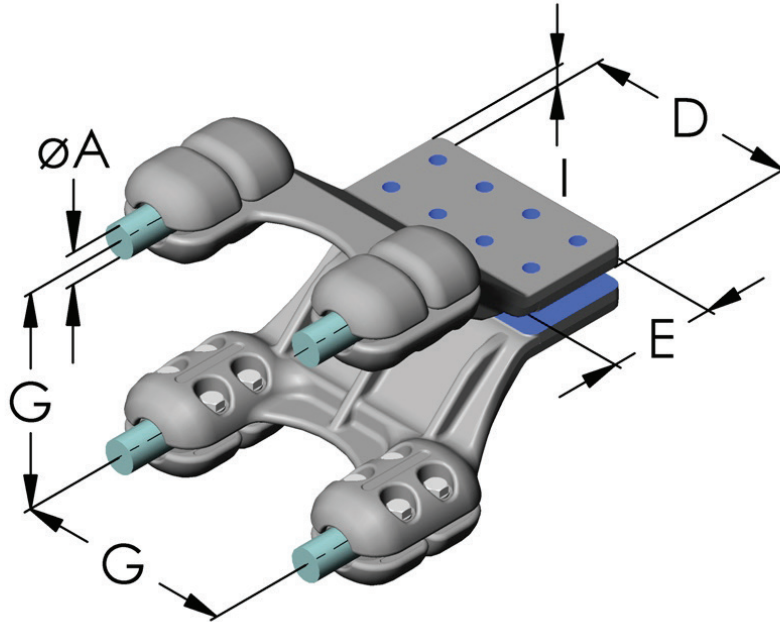
# Al-Straight quadruple flat terminal connector



Catalog Number	Voltage	ØA *	Covers A	Bundle-spacing G	Height H	Flat Terminal		
						D	E	I
I4FK-032	245 kV	20,0-32,0	2	100	90	100	100	25
I4FK-033	145 kV	20,0-32,0	1	200	0	100	100	15
I4FK-040	550 kV	30,0-42,0	3	200	100	300	100	25
I4FK-042	245 kV	30,0-42,0	3	100	100	200	125	35
I4FK-043	550 kV	28,5-44,0	2	200	175	100	100	35

\*Dimensions are in millimeters. Please specify exact diameter in case of order.

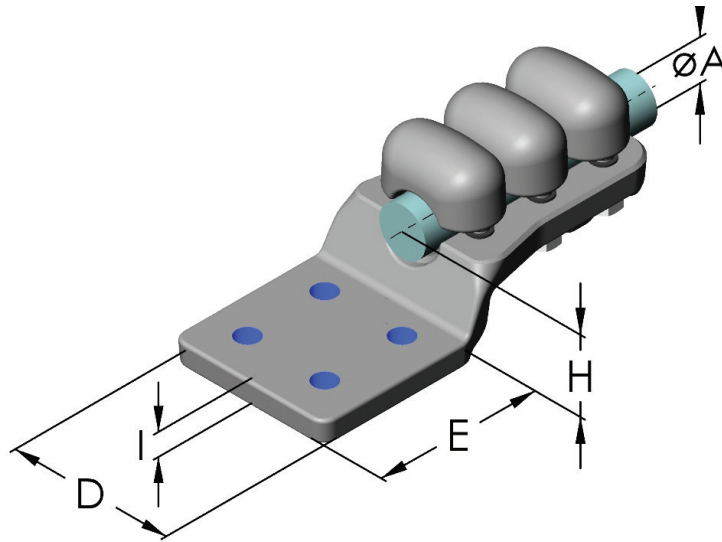
# Al-Straight quadruple flat terminal connector



Catalog Number	Voltage	ØA *	Covers A	Bundle-spacing G	Flat Terminal		
					D	E	I
I4FK-030	550 kV	28,5-33,8	2	200	200	100	25
I4FK-031	550 kV	22,0-32,0	2	200	200	100	20
I4FK-034	550 kV	20,0-33,0	2	200	200	100	17
I4FK-035	550 kV	28,5-33,8	2	200	100	100	25
I4FK-036	550 kV	20,0-33,0	2	200	200	100	20
I4FK-041	550 kV	30,0-40,0	3	200	200	100	20
I4FK-045	420 kV	35,0-42,0	3	100	200	100	20

\*Dimensions are in millimeters. Please specify exact diameter in case of order.

# Al-Straight flat terminal connector



Catalog Number	Voltage	ØA *	Covers A	Height H	Flat Terminal		
					D	E	I
I1FK-015	245 kV	16,0-22,0	3	46	80	80	10
I1FK-018	245 kV	16,0-22,0	2	0	80	80	12
I1FK-021	245 kV	16,0-22,0	2	25	100	100	12
I1FK-022	245 kV	16,0-22,0	3	48	100	100	12
I1FK-023	245 kV	20,4-22,5	2	0	80	80	12
I1FK-024	245 kV	22,5-24,5	2	32	100	100	12
I1FK-029	245 kV	22,0-32,0	2	63	100	100	14
I1FK-030	245 kV	22,0-32,0	2	30	80	80	12
I1FK-032A	245 kV	22,5-33,8	3	45	100	100	12
I1FK-032C	245 kV	20,0-33,0	3	45	100	100	14
I1FK-033	245 kV	22,0-32,0	3	43	125	125	14
I1FK-035	245 kV	22,0-32,0	3	30	80	80	12
I1FK-037	245 kV	30,0-40,0	2	0	75	75	15
I1FK-038	245 kV	30,0-42,0	3	0	125	125	15
I1FK-039	245 kV	30,0-42,0	2	37	100	100	15
I1FK-040	245 kV	30,0-40,0	4	42	60	60	20
I1FK-041A	420 kV	30,0-44,0	3	47	100	100	15
I1FK-041C	420 kV	30,0-44,0	3	47	100	100	15
I1FK-042	245 kV	30,0-42,0	3	37	75	75	15
I1FK-043	245 kV	30,0-42,0	3	37	100	100	15

\*Dimensions are in millimeters. Please specify exact diameter in case of order.

# Al-Straight flat terminal connector

Catalog Number	Voltage	ØA *	Covers A	Height H	Flat Terminal		
					D	E	I
I1FK-044	245 kV	30,0-40,0	4	42	125	125	20
I1FK-045	245 kV	30,0-40,0	3	55	200	100	15
I1FK-046	420 kV	30,0-42,0	3	43	80	90	18
I1FK-047	245 kV	40-50	2	46	80	80	20
I1FK-048	245 kV	20,0-32,0	3	0	60	130	20
I1FK-049	420 kV	30,0-44,0	3	85	100	100	20
I1FK-050	245 kV	50	2	60	100	100	15
I1FK-051	245 kV	40-50	3	46	100	100	20
I1FK-053	245 kV	40-52	2	55	125	125	15
I1FK-054	245 kV	30,0-40,0	4	37	100	100	15
I1FK-055	245 kV	40-52	2	55	170	125	15
I1FK-056	420 kV	30,6-44,0	4	52	99	100	20
I1FK-057	245 kV	40-50	2	28.5	60	60	20
I1FK-060	245 kV	60-63	2	72	100	100	20
I1FK-061	420 kV	60-63	2	70	170	125	20
I1FK-063	245 kV	60-63	2	72	100	100	20
I1FK-064	245 kV	60-63	3	0	125	125	20
I1FK-073	245 kV	70-80	2	90	100	100	25
I1FK-080	245 kV	80	2	90	100	100	24
I1FK-081	245 kV	80	2	107	125	125	17
I1FK-083	145 kV	80	2	102	100	100	12
I1FK-084	245 kV	80	2	0	100	100	25
I1FK-100	245 kV	100	2	0	125	125	24
I1FK-102	420 kV	100	2	90	100	100	25
I1FK-103	420 kV	100	3	0	125	125	35
I1FK-106	420 kV	100	2	0	200	100	15
I1FK-107	420 kV	100	3	110	200	100	25
I1FK-113	420 kV	100	2	130	200	100	25
I1FK-114	550 kV	114,3-120	2	130	200	95	25
I1FK-115	420 kV	114,3-125	2	115	125	125	25
I1FK-118	245 kV	120	3	120	125	125	30
I1FK-119	420 kV	114,3-120	3	132.5	200	100	25
I1FK-120	245 kV	120	2	90	100	100	25
I1FK-124	420 kV	120	2	130	100	100	25

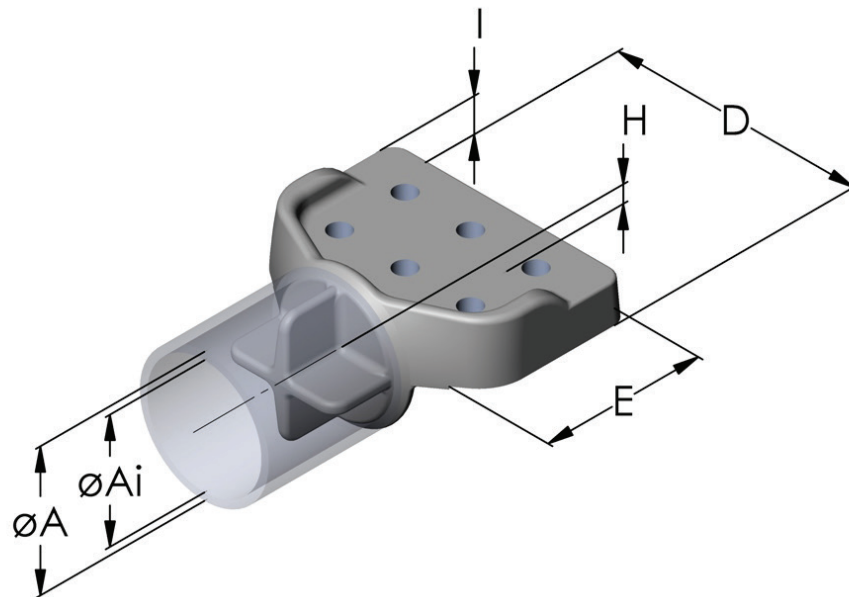
\*Dimensions are in millimeters. Please specify exact diameter in case of order.

# Al-Straight flat terminal connector

Catalog Number	Voltage	ØA *	ØAi *	Height H	Flat Terminal		
					D	E	I
I1FK-125	245 kV	120-125	2	115	100	100	25
I1FK-126	550 kV	120	2	60	125	125	25
I1FK-141	550 kV	140-141,3	2	160	150	80	25
I1FK-144	420 kV	140-141,3	3	140	125	125	35
I1FK-145	550 kV	140-141,3	2	140	150	80	25
I1FK-160	245 kV	160	2	130	100	200	25
I1FK-161	420 kV	160-168	2	150	100	200	25
I1FK-164	550 kV	160-168,2	3	150	200	100	25
I1FK-332	245 kV	22,5-33,8	3	45	90	90	12
I1FK-333	245 kV	20,3-33,8	3	50	200	100	15
I1FK-342	420 kV	30,0-44,0	3	40	100	215	12
I1FK-343	420 kV	28,5-44,8	4	60	125	125	20
I1FK-532	245 kV	18,3-33,0	3	45	100	100	12
I1FK-542	420 kV	35,-44,0	2	46	100	100	15
I1FK-546	420 kV	45,5-46,5	3	50	125	125	20
I1FK-560	420 kV	160	2	130	100	100	20

\*Dimensions are in millimeters. Please specify exact diameter in case of order.

# Al-Straight flat terminal connector welded



Catalog Number	Voltage	ØA *	ØAi *	Height H	Flat Terminal		
					D	E	I
I1FW-060	245 kV	60.3	52.3	0	80	80	15
I1FW-063	145 kV	63	55.0	0	70	80	12
I1FW-081	145 kV	80	72	0	70	80	12
I1FW-082	245 kV	88.9	77.9	0	80	80	25
I1FW-088	145 kV	88.9	77.94	0	160	100	25
I1FW-100	245 kV	100	84	67	100	100	16
I1FW-125	145 kV	100	84	0	125	125	25
I1FW-128	145 kV	120	100	0	125	110	35
I1FW-141	550 kV	141.3	123.04	0	160	80	30
I1FW-143	550 kV	141.3	122.25	0	160	102	30
I1FW-144	550 kV	141.3	128.2	0	160	102	20
I1FW-162	145 kV	160	150	0	125	125	25
I1FW-225	145 kV	200	176	0	125	125	40

\*Dimensions are in millimeters. Please specify exact diameter in case of order.