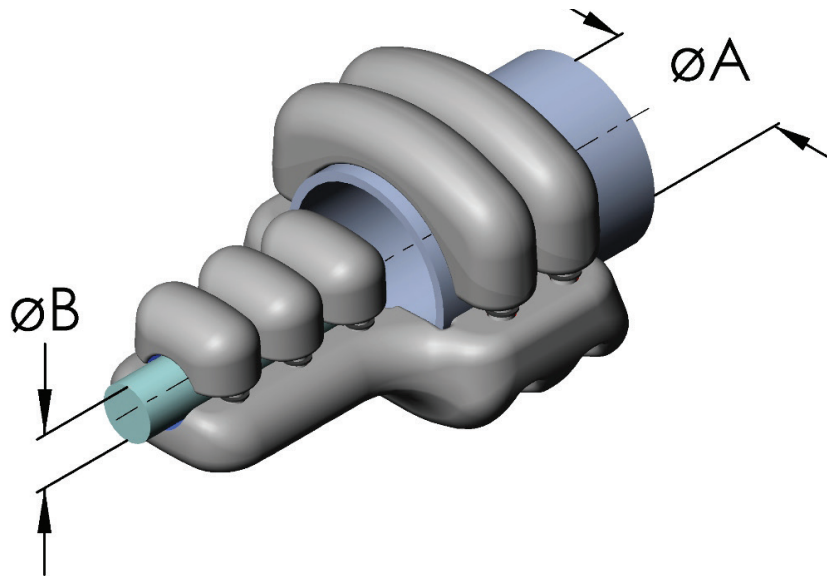


Al-Straight Connector



Catalog Number	Voltage	ØA *	Covers A	ØB *	Covers B
I11K-014	245 kV	20	2	5,0-16,0	2
I11K-015	245 kV	30	2	5,0-16,0	2
I11K-019	245 kV	16,0-22,0	2	16,0-22,0	2
I11K-021	245 kV	20,0-22,0	2	9,0-16,0	2
I11K-026	245 kV	30,0-32,0	2	16,0-22,0	2
I11K-028	245 kV	30,0-30,0	2	18,3-20,4	2
I11K-029	245 kV	20,3-33,8	2	20,3-33,8	2
I11K-030	245 kV	30	2	30,5-32,5	2
I11K-031	245 kV	30	2	16,3-18,3	2
I11K-032	245 kV	30,0-32,0	2	16,0-22,0	3
I11K-033	245 kV	30,0-32,0	2	20,0-32,0	3
I11K-035	245 kV	30,0-42,0	2	30,0-32,0	2
I11K-039	245 kV	30,0-42,0	2	30,0-42,0	2
I11K-040	420 kV	30,0-40,0	2	30,0-40,0	3
I11K-042	245 kV	30,0-40,0	2	22,0-32,0	3
I11K-043	245 kV	30,0-42,0	2	20,0-32,0	3
I11K-044	420 kV	30,0-42,0	3	30,0-42,0	3
I11K-045	245 kV	30,0-42,0	2	30,0-42,0	3
I11K-046	245 kV	30,0-42,0	4	22,0-33,0	3
I11K-047	245 kV	30,0-40,0	3	30,0-40,0	3
I11K-050	245 kV	50	2	50	2

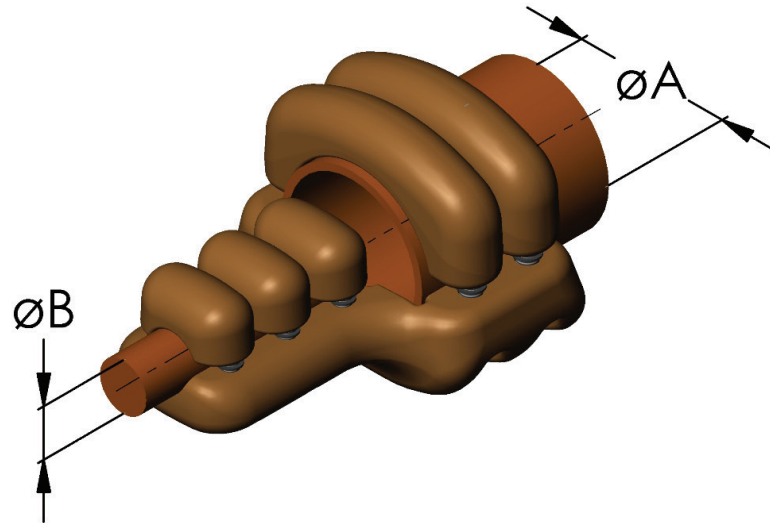
*Dimensions are in millimeters. Please specify exact diameter in case of order.

Al-Straight Connector

Catalog Number	Voltage	ØA *	Covers A	ØB *	Covers B
I11K-051	245 kV	50	2	30,0-32,0	2
I11K-052	245 kV	50	2	22,0-32,0	3
I11K-053	245 kV	50	2	20,0-32,0	3
I11K-054	245 kV	40-50	2	30,0-42,0	3
I11K-055	245 kV	40-52	3	40-52	3
I11K-056	245 kV	40-52	3	30,0-42,0	4
I11K-057	245 kV	40-54,8	2	20,0-33,0	2
I11K-059	145 kV	40-54,8	2	9,0-16,3	2
I11K-060	420 kV	80	2	40-62	3
I11K-061	245 kV	60-63	2	30,0-42,0	3
I11K-064	245 kV	60-63	2	30,0-42,0	3
I11K-065	245 kV	50-63	2	40-52	2
I11K-066	245 kV	60-63	2	60-63	2
I11K-067	245 kV	50-63	2	40-52	3
I11K-068	245 kV	60-63	1	22,0-24,5	2
I11K-069	245 kV	60-63	2	30,0-40,0	4
I11K-070	420 kV	50-63	3	50-63	3
I11K-071	245 kV	70-80	2	18,3-33,8	2
I11K-083	245 kV	80	2	20,0-32,0	3
I11K-084	245 kV	80	2	30,0-42,0	3
I11K-085	245 kV	80	2	20,3-33,8	3
I11K-101	420 kV	100	2	16,3-33,8	3
I11K-102	245 kV	100	2	16,0-22,0	2
I11K-103	245 kV	100	2	46.3	3
I11K-104	245 kV	100	2	30,0-42,0	3
I11K-105	245 kV	100	1	22,0-24,5	2
I11K-124	245 kV	114-120	2	30,0-42,0	3
I11K-125	245 kV	120	2	40,0-42,0	2
I11K-126	245 kV	120	2	40-62	3
I11K-127	245 kV	120	2	46.31	2
I11K-141	550 kV	140-141,3	2	40,0-62,0	2
I11K-160	245 kV	150-160	2	30,0-42,0	3
I11K-527	245 kV	28,5-44,8	3	16,3-33,8	3
I11K-560	245 kV	40-52	2	30,0-44,0	3
I11K-563	245 kV	50-60	1	24,5-30,0	2

*Dimensions are in millimeters. Please specify exact diameter in case of order.

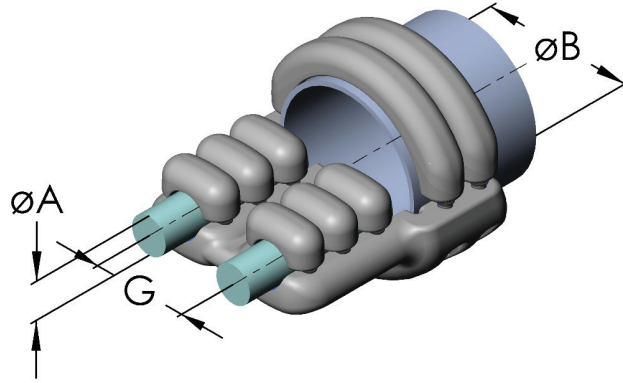
Cu-Straight Connector



Catalog Number	Voltage	ØA *	Covers A	ØB *	Covers B
I11K-013Cu	245 kV	5,0-14,0	2	21,0-30,0	2
I11K-023Cu	245 kV	14,0-21,0	2	21,0-30,0	2
I11K-024Cu	245 kV	14,0-21,0	2	40	2
I11K-025Cu	245 kV	21,0-30,0	2	40	2
I11K-029Cu	245 kV	21,0-30,0	3	21,0-30,0	2
I11K-032Cu	420 kV	21,0-30,0	2	30,0-40,0	3
I11K-033Cu	245 kV	18,3-30,6	2	18,3-30,6	2
I11K-034Cu	245 kV	21,0-30,0	3	21,0-30,0	3
I11K-035Cu	245 kV	21,0-30,0	2	30,0-40,0	2
I11K-036Cu	245 kV	21,0-30,0	3	30,0-40,0	3
I11K-050Cu	245 kV	40-50	2	40-50	2
I11K-062Cu	245 kV	60-63	2	14,0-21,0	2
I11K-063Cu	245 kV	60-63	2	21,0-30,0	2
I11K-066Cu	245 kV	60	2	60	2
I11K-106Cu	245 kV	100	2	21,0-30,0	2

*Dimensions are in millimeters. Please specify exact diameter in case of order.

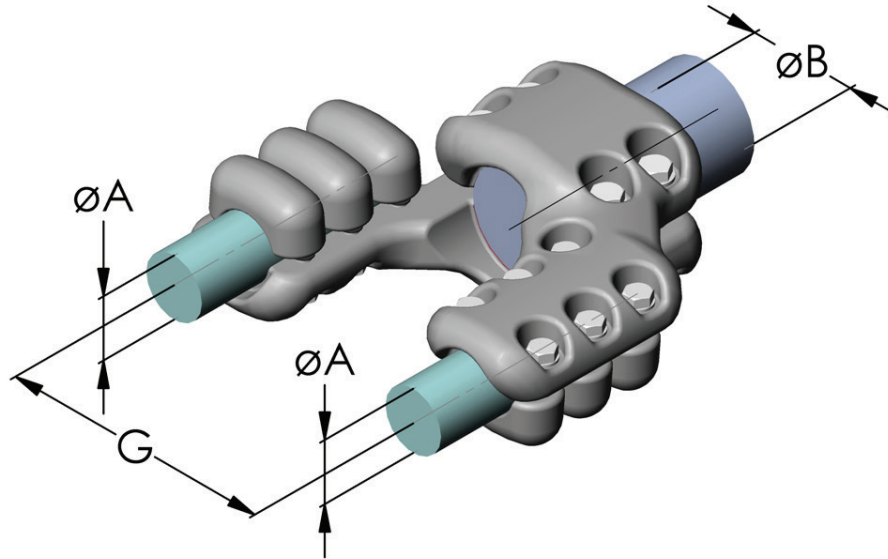
AI-Duplex/single connector straight



Catalog Number	Voltage	ØA *	Covers A	ØB *	Covers B	"Bundle-spacing G"
I21K-023	245 kV	16,0-22,0	2	20,0-32,0	2	100
I21K-031	245 kV	25,0-33,0	1	30,0-33,0	1	100
I21K-034	245 kV	22,0-32,0	2	40,0-52,0	2	85
I21K-035	420 kV	22,0-33,0	3	40,0-52,0	3	100
I21K-036	420 kV	20,0-32,0	3	40,0-52,0	3	100
I21K-037	420 kV	20,3-33,8	2	20,3-33,8	2	450
I21K-041	420 kV	30,0-42,0	2	30,0-42,0	2	400
I21K-043	245 kV	20,0-32,0	2	30,0-42,0	2	100
I21K-044	420 kV	30,0-42,0	2	30,0-42,0	2	100
I21K-048	420 kV	30,0-44,0	2	30,0-42,0	3	200
I21K-053	245 kV	22,0-33,0	2	50-63	2	70
I21K-061	245 kV	30,0-42,0	2	60-63	2	300
I21K-062	245 kV	22,0-33,0	2	60-63	2	100
I21K-063	245 kV	22,0-33,0	2	60-63	3	100
I21K-066	420 kV	50-63	3	50-63	3	200
I21K-067	420 kV	30,0-42,0	3	30-63	2	200
I21K-120	550 kV	30,0-42,0	3	120	2	100
I21K-122	420 kV	20,3-33,8	2	114-120	2	200
I21K-140	420 kV	18,3-33,8	2	140-160	2	457
I21K-160	420 kV	30,0-42,0	3	160	2	150
I21K-161	420 kV	30,0-44,0	3	160	2	100
I21K-163	245 kV	30,0-42,0	3	160	2	110
I21K-164	550 kV	30,0-42,0	3	160-162	2	200
I21K-200	420 kV	30,0-42,0	3	200	2	200
I21K-255	245 kV	46.31	3	50	3	200
I21K-523	245 kV	30,6-33,8	2	120	2	100

*Dimensions are in millimeters. Please specify exact diameter in case of order.

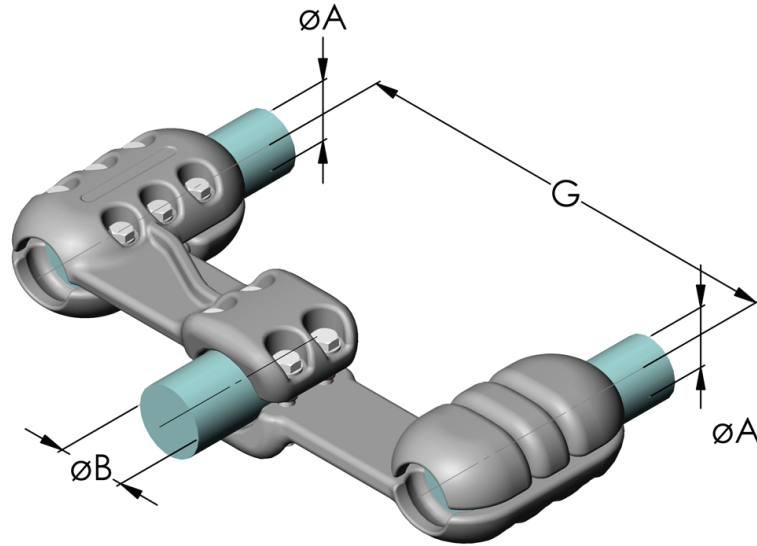
Al-Duplex/single connector straight



Catalog Number	Voltage	ØA *	Covers A	ØB *	Covers B	"Bundle-spacing G"
I21K-028	245 kV	26,0-33,0	2	30,0-42,0	2	100
I21K-029	145 kV	24,5-36,9	2	24,5-36,9	3	200
I21K-030	245 kV	29,0-33,0	3	40,0-42,0	3	50
I21K-042	420 kV	30,0-42,0	3	30,0-42,0	3	200
I21K-045	420 kV	30,0-42,0	3	30-63	2	100
I21K-046	420 kV	35,0-42,0	1	30,0-32,0	1	200
I21K-047	420 kV	30,0-44,0	4	30-63	2	100
I21K-070	245 kV	20,0-33,0	2	70-80	2	200
I21K-080	245 kV	20,0-32,0	3	80	2	100
I21K-081	245 kV	30,0-40,0	3	80	2	85
I21K-082	420 kV	45,5-46,5	3	70-80	2	200
I21K-083	420 kV	28,5-44,0	3	80	2	200
I21K-105	420 kV	29,0-33,0	3	100	2	50
I21K-123	550 kV	46,3-54,8	2	120	2	400
I21K-150	550 kV	45,0-46,5	2	150-160	2	450
I21K-204	550 kV	30,0-43,2	3	200	2	457

*Dimensions are in millimeters. Please specify exact diameter in case of order.

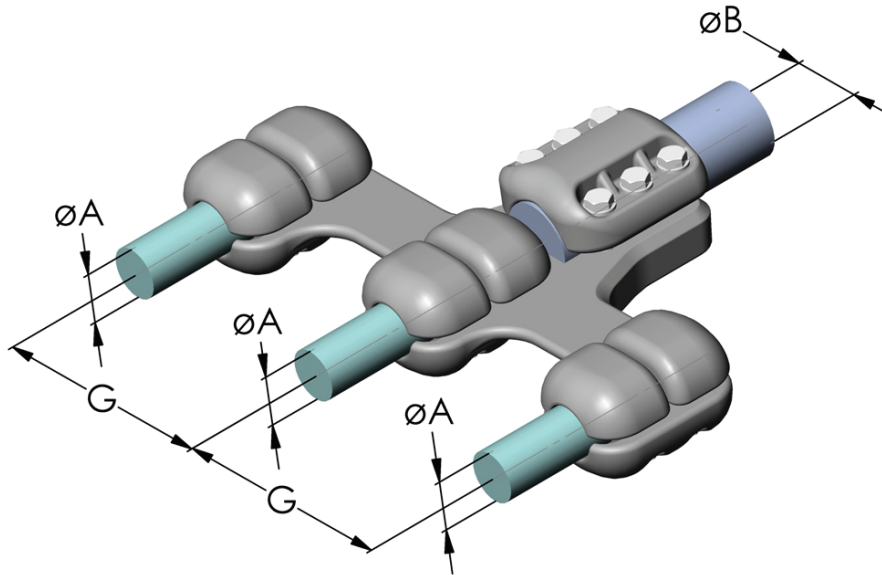
AI-Duplex/single connector straight



Catalog Number	Voltage	ØA *	Covers A	ØB *	Covers B	"Bundle-spacing G"
I21K-032	420 kV	20,0-32,0	2	30,0-42,0	2	200
I21K-068	550 kV	46,0-55,0	3	30-62	2	400
I21K-088	420 kV	30,0-44,0	3	78-88,9	2	200
I21K-240	420 kV	30,0-44,0	3	30-63	2	200
I21K-555	550 kV	46,0-55,0	2	80-82	2	400

*Dimensions are in millimeters. Please specify exact diameter in case of order.

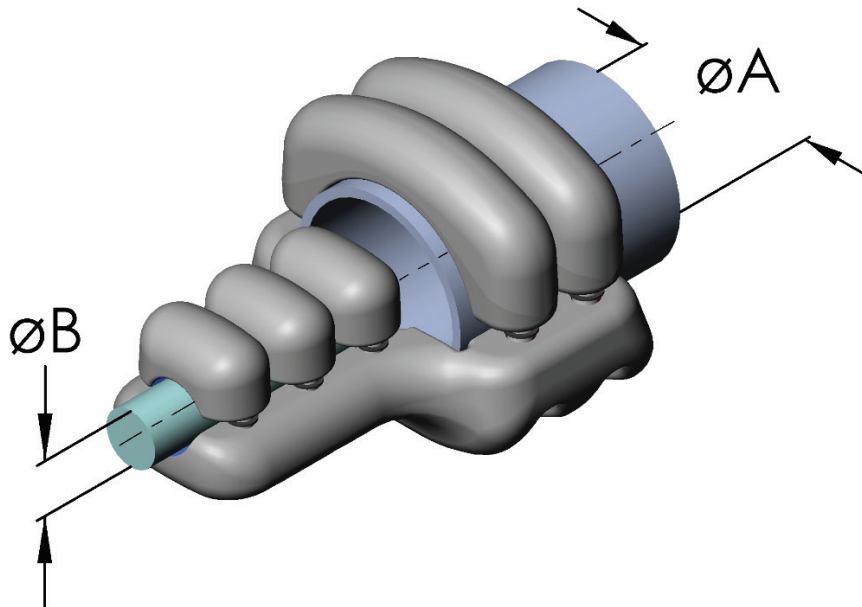
Al-Straight triplex/single connector



Catalog Number	Voltage	ØA *	Covers A	ØB *	Screwpairs B	Bundle-spacing G
I31K-060	550 kV	28,5-44,8	2	30-63	3	200
I31K-532	550 kV	20,3-33,6	2	50-62	3	200
I31K-564	245 kV	30,0-44,0	3	40-62	3	100
I31K-565	420 kV	30,0-44,0	3	40-63	3	100

*Dimensions are in millimeters. Please specify exact diameter in case of order.

Al-Straight connector



Catalog Number	Voltage	ØA *	Covers A	ØB *	Covers B
I11K-014	245 kV	20	2	5,0-16,0	2
I11K-015	245 kV	30	2	5,0-16,0	2
I11K-019	245 kV	16,0-22,0	2	16,0-22,0	2
I11K-021	245 kV	20,0-22,0	2	9,0-16,0	2
I11K-026	245 kV	30,0-32,0	2	16,0-22,0	2
I11K-028	245 kV	30,0-30,0	2	18,3-20,4	2
I11K-029	245 kV	20,3-33,8	2	20,3-33,8	2
I11K-030	245 kV	30	2	30,5-32,5	2
I11K-031	245 kV	30	2	16,3-18,3	2
I11K-032	245 kV	30,0-32,0	2	16,0-22,0	3
I11K-033	245 kV	30,0-32,0	2	20,0-32,0	3
I11K-035	245 kV	30,0-42,0	2	30,0-32,0	2
I11K-039	245 kV	30,0-42,0	2	30,0-42,0	2
I11K-040	420 kV	30,0-40,0	2	30,0-40,0	3
I11K-042	245 kV	30,0-40,0	2	22,0-32,0	3
I11K-043	245 kV	30,0-42,0	2	20,0-32,0	3
I11K-044	420 kV	30,0-42,0	3	30,0-42,0	3
I11K-045	245 kV	30,0-42,0	2	30,0-42,0	3
I11K-046	245 kV	30,0-42,0	4	22,0-33,0	3
I11K-047	245 kV	30,0-40,0	3	30,0-40,0	3
I11K-050	245 kV	50	2	50	2

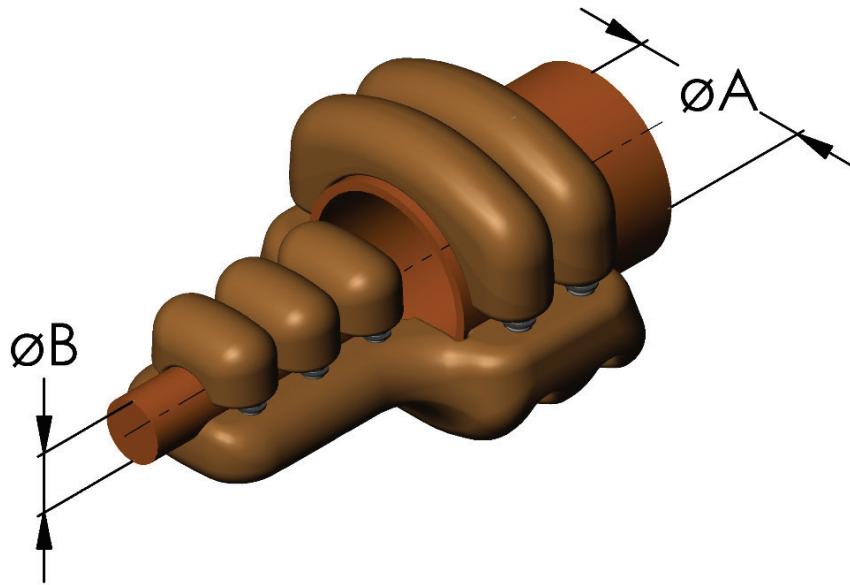
*Dimensions are in millimeters. Please specify exact diameter in case of order.

AI-Straight connector

Catalog Number	Voltage	ØA *	Covers A	ØB *	Covers B
I11K-051	245 kV	50	2	30,0-32,0	2
I11K-052	245 kV	50	2	22,0-32,0	3
I11K-053	245 kV	50	2	20,0-32,0	3
I11K-054	245 kV	40-50	2	30,0-42,0	3
I11K-055	245 kV	40-52	3	40-52	3
I11K-056	245 kV	40-52	3	30,0-42,0	4
I11K-057	245 kV	40-54,8	2	20,0-33,0	2
I11K-059	145 kV	40-54,8	2	9,0-16,3	2
I11K-060	420 kV	80	2	40-62	3
I11K-061	245 kV	60-63	2	30,0-42,0	3
I11K-064	245 kV	60-63	2	30,0-42,0	3
I11K-065	245 kV	50-63	2	40-52	2
I11K-066	245 kV	60-63	2	60-63	2
I11K-067	245 kV	50-63	2	40-52	3
I11K-068	245 kV	60-63	1	22,0-24,5	2
I11K-069	245 kV	60-63	2	30,0-40,0	4
I11K-070	420 kV	50-63	3	50-63	3
I11K-071	245 kV	70-80	2	18,3-33,8	2
I11K-083	245 kV	80	2	20,0-32,0	3
I11K-084	245 kV	80	2	30,0-42,0	3
I11K-085	245 kV	80	2	20,3-33,8	3
I11K-101	420 kV	100	2	16,3-33,8	3
I11K-102	245 kV	100	2	16,0-22,0	2
I11K-103	245 kV	100	2	46.3	3
I11K-104	245 kV	100	2	30,0-42,0	3
I11K-105	245 kV	100	1	22,0-24,5	2
I11K-124	245 kV	114-120	2	30,0-42,0	3
I11K-125	245 kV	120	2	40,0-42,0	2
I11K-126	245 kV	120	2	40-62	3
I11K-127	245 kV	120	2	46.31	2
I11K-141	550 kV	140-141,3	2	40,0-62,0	2
I11K-160	245 kV	150-160	2	30,0-42,0	3
I11K-527	245 kV	28,5-44,8	3	16,3-33,8	3
I11K-560	245 kV	40-52	2	30,0-44,0	3
I11K-563	245 kV	50-60	1	24,5-30,0	2

*Dimensions are in millimeters. Please specify exact diameter in case of order.

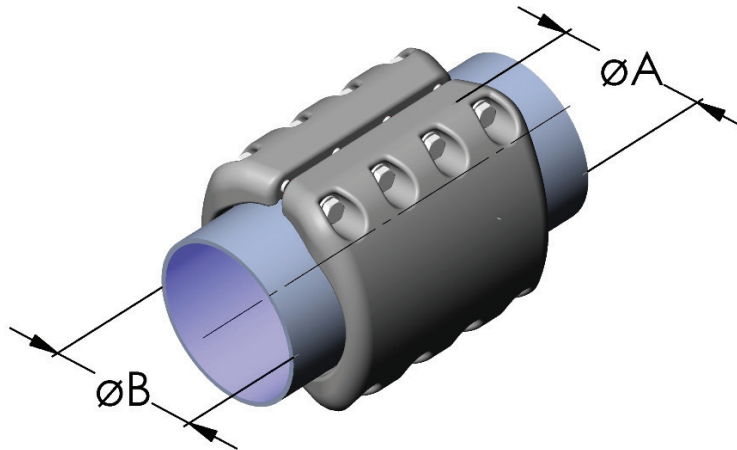
Cu-Straight connector



Catalog Number	Voltage	ØA *	Covers A	ØB *	Covers B
I11K-013Cu	245 kV	5,0-14,0	2	21,0-30,0	2
I11K-023Cu	245 kV	14,0-21,0	2	21,0-30,0	2
I11K-024Cu	245 kV	14,0-21,0	2	40	2
I11K-025Cu	245 kV	21,0-30,0	2	40	2
I11K-029Cu	245 kV	21,0-30,0	3	21,0-30,0	2
I11K-032Cu	420 kV	21,0-30,0	2	30,0-40,0	3
I11K-033Cu	245 kV	18,3-30,6	2	18,3-30,6	2
I11K-034Cu	245 kV	21,0-30,0	3	21,0-30,0	3
I11K-035Cu	245 kV	21,0-30,0	2	30,0-40,0	2
I11K-036Cu	245 kV	21,0-30,0	3	30,0-40,0	3
I11K-050Cu	245 kV	40-50	2	40-50	2
I11K-062Cu	245 kV	60-63	2	14,0-21,0	2
I11K-063Cu	245 kV	60-63	2	21,0-30,0	2
I11K-066Cu	245 kV	60	2	60	2
I11K-106Cu	245 kV	100	2	21,0-30,0	2

*Dimensions are in millimeters. Please specify exact diameter in case of order.

Al-Straight busbar coupler

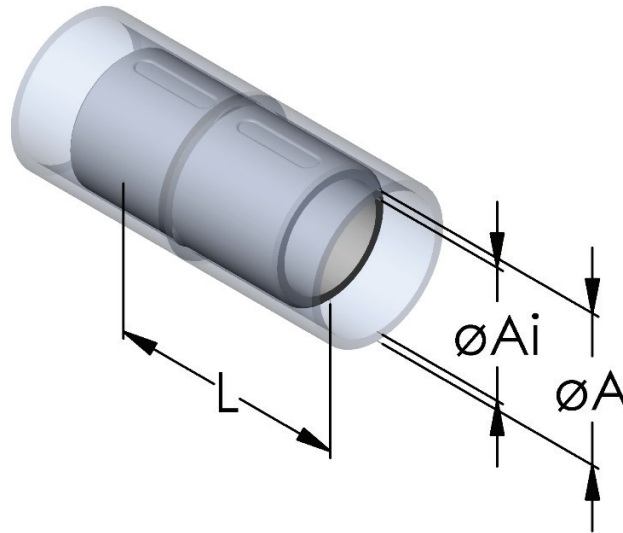


Please refer to our general recommendations for coupler location.

Catalog Number	Voltage	ØA *	Screwpairs A	ØB *	Screwpairs B
I11K-013Cu	245 kV	5,0-14,0	2	21,0-30,0	2
I11K-023Cu	245 kV	14,0-21,0	2	21,0-30,0	2
I11K-024Cu	245 kV	14,0-21,0	2	40	2
I11K-025Cu	245 kV	21,0-30,0	2	40	2
I11K-029Cu	245 kV	21,0-30,0	3	21,0-30,0	2
I11K-032Cu	420 kV	21,0-30,0	2	30,0-40,0	3
I11K-033Cu	245 kV	18,3-30,6	2	18,3-30,6	2
I11K-034Cu	245 kV	21,0-30,0	3	21,0-30,0	3
I11K-035Cu	245 kV	21,0-30,0	2	30,0-40,0	2
I11K-036Cu	245 kV	21,0-30,0	3	30,0-40,0	3
I11K-050Cu	245 kV	40-50	2	40-50	2
I11K-062Cu	245 kV	60-63	2	14,0-21,0	2
I11K-063Cu	245 kV	60-63	2	21,0-30,0	2
I11K-066Cu	245 kV	60	2	60	2
I11K-106Cu	245 kV	100	2	21,0-30,0	2

*Dimensions are in millimeters. Please specify exact diameter in case of order.

Al-Straight welded coupler



Please refer to our general recommendations for coupler location and welding.

Catalog Number	Voltage	ØA *	ØAi *	Length L
I11W-060	245 kV	60.3	52.3	140
I11W-089	245 kV	88.9	77.94	140
I11W-120	550 kV	120	108	400
I11W-121	550 kV	120	98	300
I11W-141	550 kV	141.3	123.04	200
I11W-142	245 kV	141.3	128.02	200
I11W-143	245 kV	141.3	122.25	200
I11W-162	245 kV	160	148	240
I11W-168	245 kV	168.3	154.05	200
I11W-203	245 kV	200	188	300
I11W-204	245 kV	200	188	280
I11W-250	550 kV	250	240	400
I11W-251	550 kV	250	240	400
I11W-252	550 kV	250	236	300
I11W-253	245 kV	250	240	300

*Dimensions are in millimeters. Please specify exact diameter in case of order.