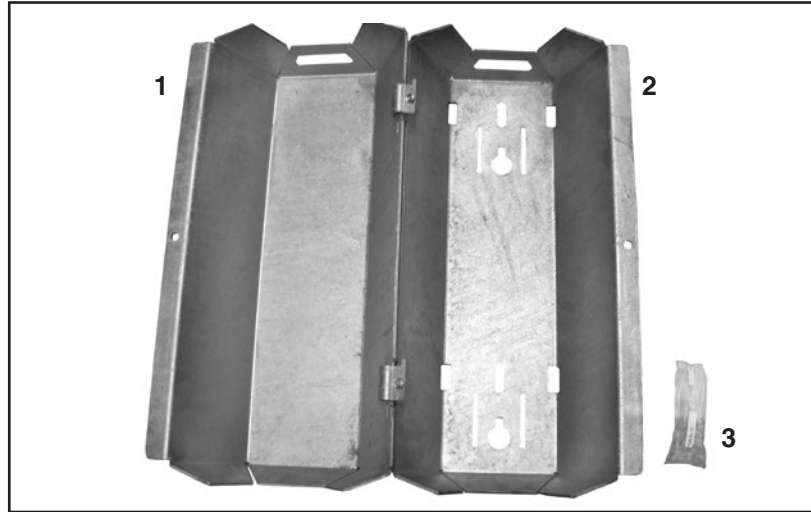




COYOTE® Defender 2

for COYOTE Dome Closure Cable Restraint Bracket (CRB) System for OPGW

Be sure to read and completely understand this procedure before applying product. Be sure to select the proper PREFORMED™ product before installation.



NOMENCLATURE

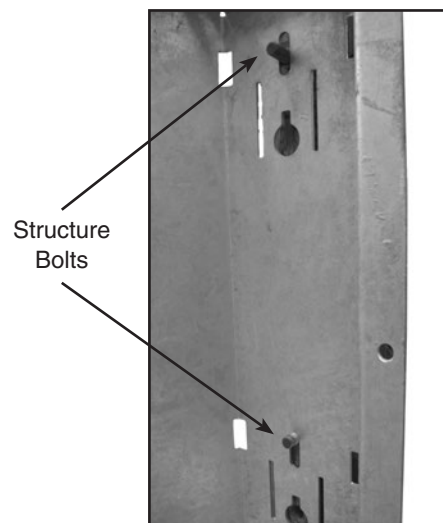
1. Defender Cover Door (Front)
2. Defender Mounting Door (Back)
3. Hardware Bag (self-tapping screws & bolt to close doors)

GENERAL

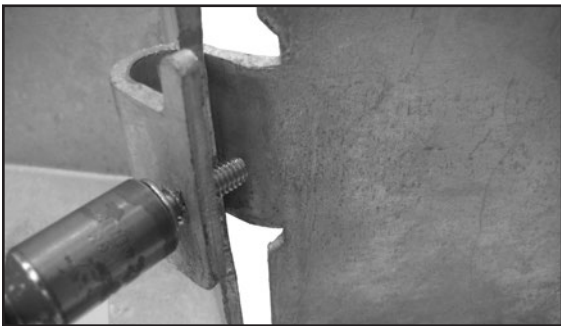
The COYOTE Defender 2 has two doors that hinge together. The mounting door is specifically designed to accept COYOTE Dome Closure CRB System for OPGW sizes 6.5" x 17" and 6.5" x 22". It can be mounted onto the Cable Storage 2 Assembly using carriage bolts or it may be directly attached to the structure using 5/8" double arming bolts, lattice tower clamps, or 1-1/4" wide metal banding.

Direct Attachment to the Structure

- STEP #1** Hang the COYOTE Defender mounting door on the structure using the 5/8" bolts of banding. The keyhole slots will be used to mount the Dome Closure CRB System to the bracket.

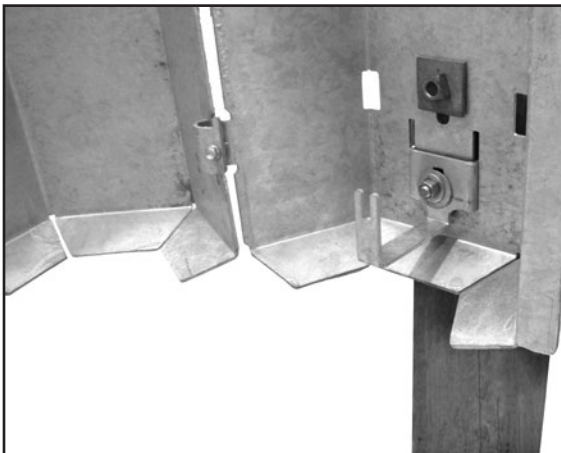


STEP #2 Attach the cover door to the mounted door and install the self-tapping screws at the hinge to keep the swinging door retained.

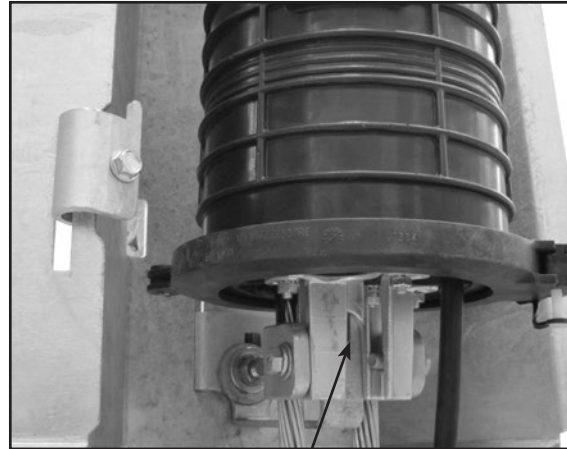


PLP TIP: Make note of different installation techniques for each variation of COYOTE® Defender 2 mounting.

STEP #3 Attach the dome mounting adapter bracket to the Defender mounting door in the keyhole slot.

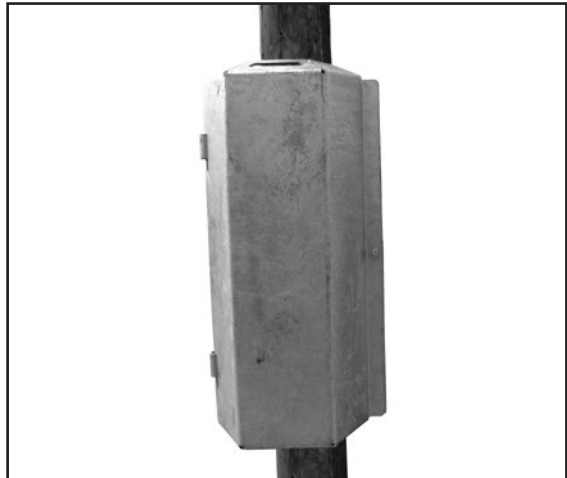


STEP #4 Slide the Dome CRB onto the mounting adapter. Secure the Dome by tightening the 9/16" bolt into place inside the COYOTE Defender 2.



3/8" Bolt with 9/16" socket

STEP #5 Close the door and fasten with the included bolt.

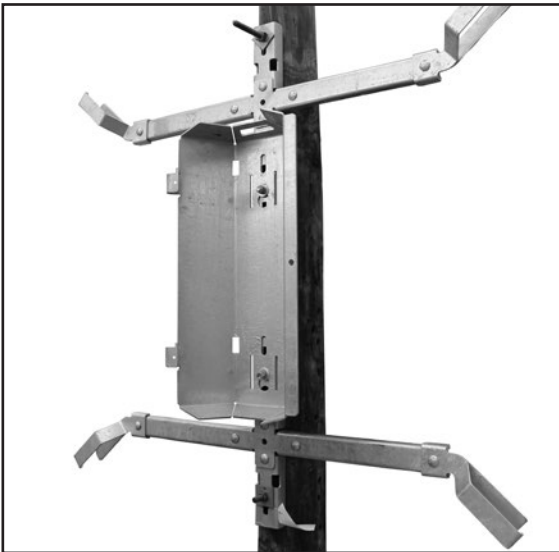


COYOTE® Defender 2 Mounting onto the FIBERLIGN® Cable Storage 2 Assembly

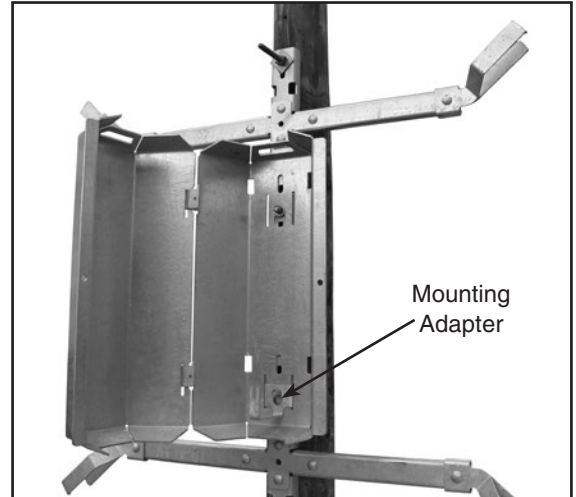
STEP #6

After completing installation of the FIBERLIGN Cable Storage 2 Assembly to the structure, carriage bolts, nuts, and lock-washers are used to mount the COYOTE Defender 2 to the Cable Storage 2 and the closure to the COYOTE Defender 2. Start the lock washer and nuts on two carriage bolts, leaving them loose to place into the cable storage keyholes.

STEP #7 Place the mounting door of the COYOTE Defender 2 onto the vertical storage bracket, aligning the proper bolt holes for mounting. Insert the bolts onto the vertical storage bracket and hang the Defender 2 mounting door.



STEP #8 Attach the cover door to the mounting door with the mounting adapter for the CRB mounted on the inner door. Mount the closure according to the application procedure for the product being installed.



SAFETY CONSIDERATIONS

This application procedure is not intended to supersede any company construction or safety standards. This procedure is offered only to illustrate safe application for the individual.

FAILURE TO FOLLOW THESE PROCEDURES MAY RESULT IN PERSONAL INJURY OR DEATH.

This product is intended for use by trained technicians only. This product should not be used by anyone who is not familiar with, and not trained to use it.

When working in the area of energized lines, extra care should be taken to prevent accidental electrical contact.

For proper performance and personal safety, be sure to select the proper size PREFORMED™ product before application.

PREFORMED products are precision devices. To insure proper performance, they should be stored in cartons under cover and handled carefully.



PREFORMED LINE PRODUCTS

P.O. Box 91129, Cleveland, Ohio 44101 • 440.461.5200 • www.preformed.com • e-mail: inquiries@preformed.com

SP3244