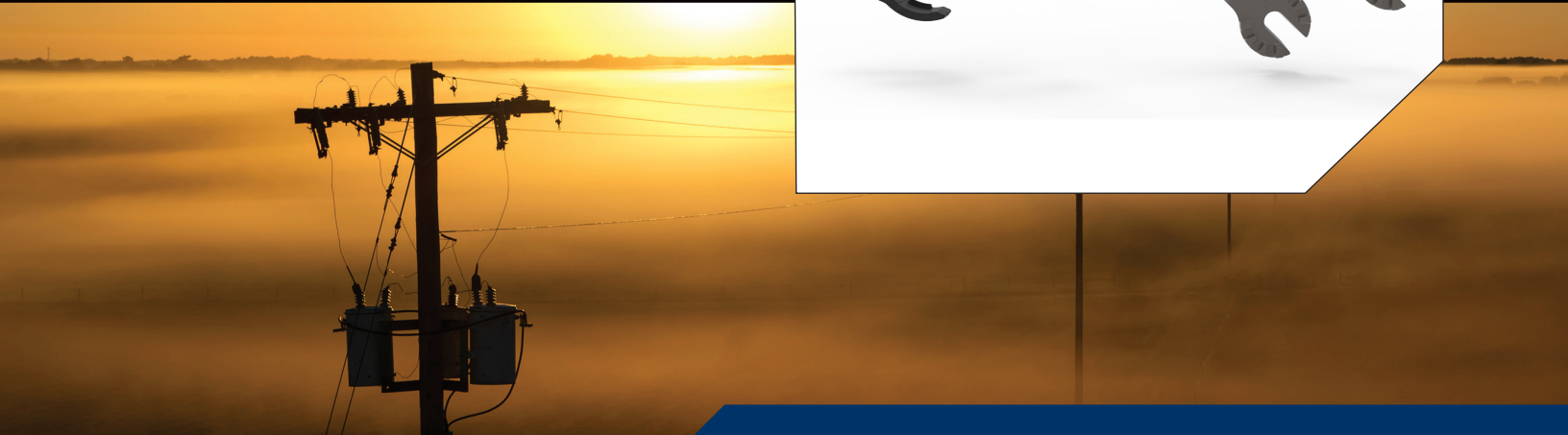


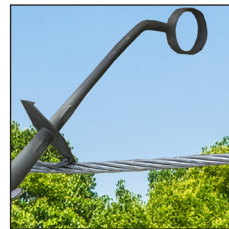


**PREFORMED** LINE PRODUCTS  
The connection you can count on.

## Applicator Ring Tools and Tie Tube Applicator



-  COMMUNICATIONS
-  ENERGY
-  SPECIAL INDUSTRIES
-  SOLAR



## PLP Distribution Products Applicator Ring Tools

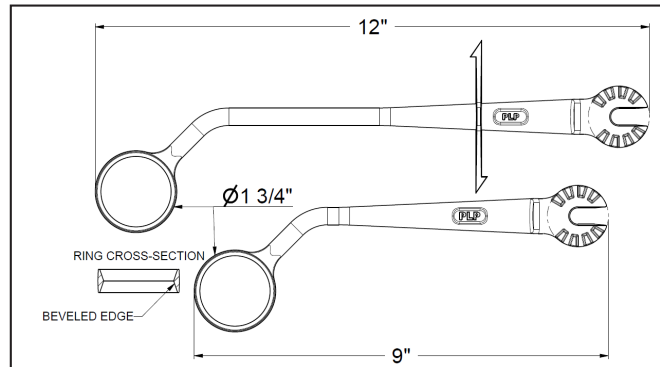
### Description

The Applicator Ring Tools are designed to provide a functional and safe way to correctly apply PLP's factory formed wire products while working on an energized distribution system. The specially-beveled ring permits easy encirclement of the helical leg and facilitates positioning and removal of the product. The crossarm of the SH-0003, with picks on both ends, is designed to ensure complete installation and to initiate removal of the formed wire products. The angled neck combined with the universal base allows the tool to be safely and easily maneuvered around conductors.

### Features

- Easily connect to any universal hot stick
- Manufactured from stainless steel
- Beveled edge for ease of installation and removal of factory formed products
- SH-0003 uses a crossarm for efficient final installation and for initiating removal of formed wire products

| Catalog Number | Description                                    |
|----------------|--|
| SH-0001        | Applicator Ring – Universal Base               |
| SH-0003        | Applicator Ring with Crossarm - Universal Base |



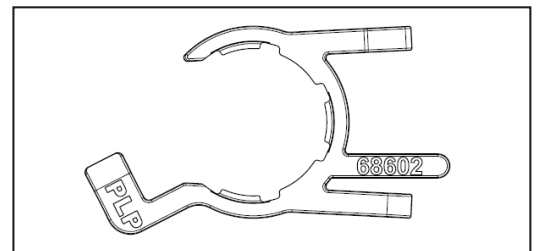
## Tie Tube Applicator For Applicator Ring Tools

### Description

The Tie Tube Applicator is designed to provide a safe and functional way to apply the tie tubes provided with PLP's factory formed ties while working on an energized distribution system. It is easily attached onto an Applicator Ring Tool for immediate use. Following usage, it can be just as easily removed and put aside until it is needed again.

### Features

- Easily attached onto or removed from an Applicator Ring Tool
- Designed to provide a safe and functional way to apply a tie tube while working with an energized system
- Manufactured from durable polypropylene



| Catalog Number | Description         |
|----------------|---------------------|
| TFA-1          | Tie Tube Applicator |



**PREFORMED**  
LINE PRODUCTS

Global Headquarters  
660 Beta Drive  
Cleveland, Ohio 44143

Mailing Address:  
P.O. Box 91129  
Cleveland, Ohio 44101

Telephone: 440.461.5200  
Fax: 440.442.8816  
Website: [preformed.com](http://preformed.com)  
Email: [inquiries@preformed.com](mailto:inquiries@preformed.com)

© 2020 Preformed Line Products  
Printed in U.S.A.  
EN-SS-1278-1  
09.20 IH