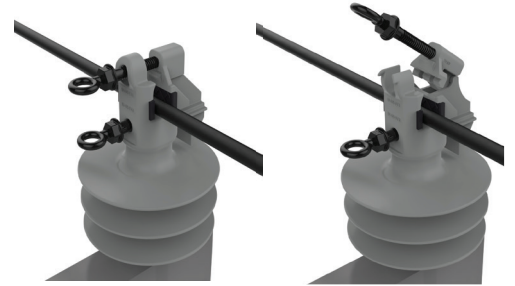




INSULIGN® POLYMER INSULATORS

WISE TOP (VT) & PIVOT WISE TOP (PVT)

INSTALLATION INSTRUCTIONS



IMPORTANT SAFETY INFORMATION

READ AND COMPLETELY UNDERSTAND ALL INSTRUCTIONS BEFORE INSTALLING PRODUCT. FAILURE TO FOLLOW THESE INSTRUCTIONS MAY RESULT IN PERSONAL INJURY OR DEATH.

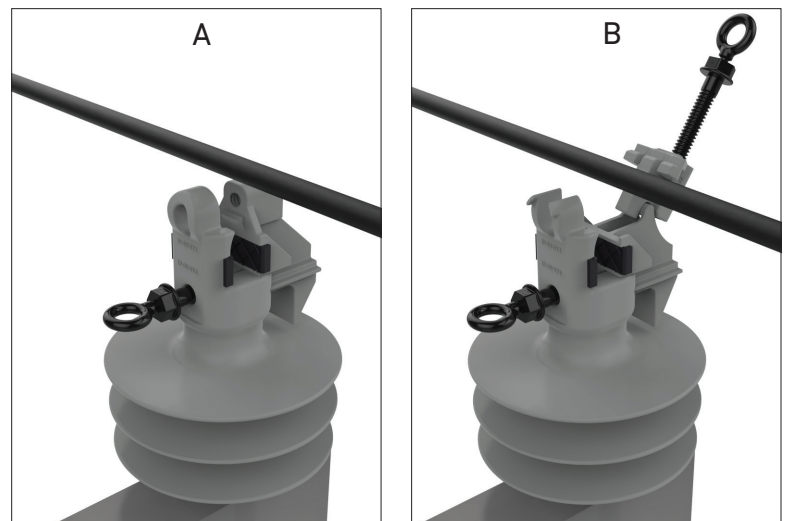
This product is intended for use by trained technicians only. This product should not be used by anyone who is not familiar with and not trained to use it. When working in the area of energized lines, extra care should be taken to prevent accidental electrical contact. Be sure to wear proper safety equipment per your company protocol. These instructions are not intended to supersede any company construction or safety standards. These instructions are offered only to illustrate safe installation for the individual. PLP products are intended for the specified application only. Do not modify this product under any circumstances. Do not reuse or reinstall any PLP product unless that capability is expressly indicated in the product's Installation Instructions. For proper performance and personal safety, be sure to select the proper PLP product before installation. PLP products are precision devices. To ensure proper performance, they should be stored in cartons under cover and handled carefully.

- 1 Install the insulator on the pin and hand tighten until the mastic material provides resistance to the installation rotation. If the clamp inserts are not in-line with the conductor, the insulator can be turned up to an additional one half-turn for the purpose of alignment. If it is not possible to turn the insulator, loosen the nut on the pin, align the insulator, and re-tighten. Make sure the insulator remains tight on the pin and in contact with the mastic in the insulator.

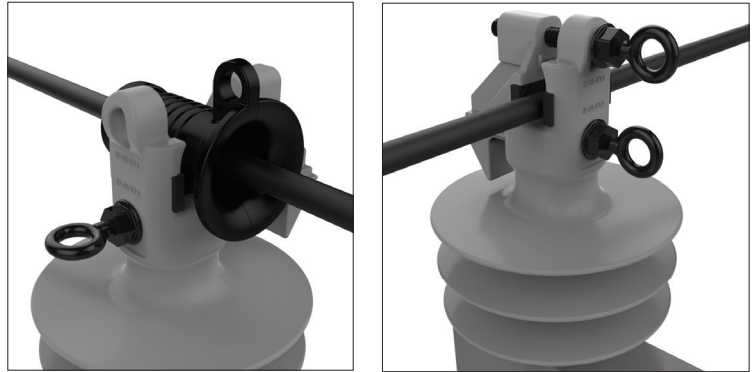
- 2 A. For Vise Top (VT) Insulators, remove the top torque bolt for conductor or Stringing Tool installation.

B. For the Pivot Vise Top (PVT) Insulators, loosen the top torque bolt and flip open the keeper.

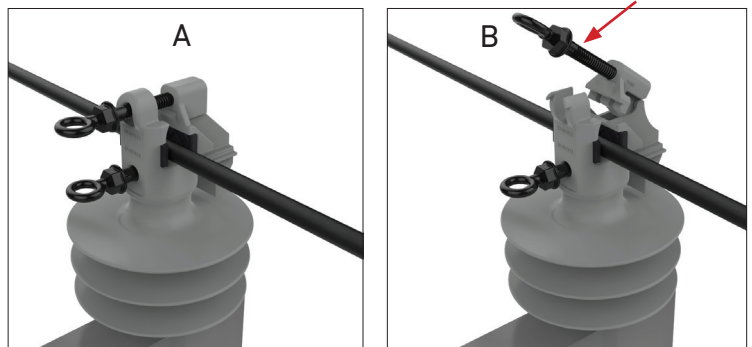
NOTE: All Vise Top Polymer Insulators can be supplied with universal inserts or ceramic inserts that are compatible with all conductor types, plastic inserts for jacketed conductors, aluminum inserts for bare aluminum conductors, and bronze inserts for bare copper conductors.



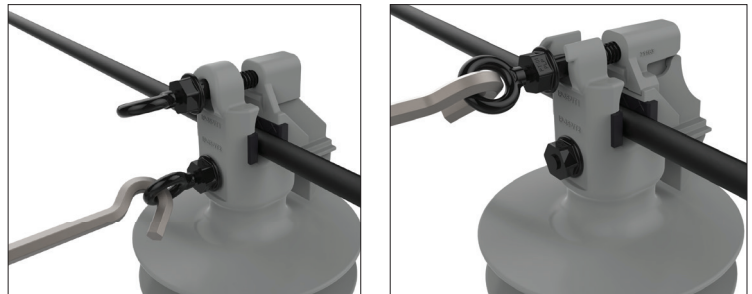
- 3 If using the VT Stringing Tool for conductor stringing, install the tool by backing the lower torque bolt out until the stringing tool slides into place. Tighten bolt slightly to secure tool. After the conductor is pulled into place, remove the tool and install the conductor as outlined below.



- 4 A. For Vise Top (VT) Insulators, reinstall the top bolt into the insulator.
 B. For Pivot Vise Top (PVT) Insulators, rotate the nut portion of the pivot keeper into the closed position, positioning the bolt into the groove of the insulator body.



- 5 Secure the conductor in the VT or PVT Insulator by first tightening the bottom torque bolts until the ring breaks off flush with the hexagonal head of the bolt. Next, tighten the top torque bolt in the same manner. This process can be accomplished with the use of the hook tool or with a shotgun stick.

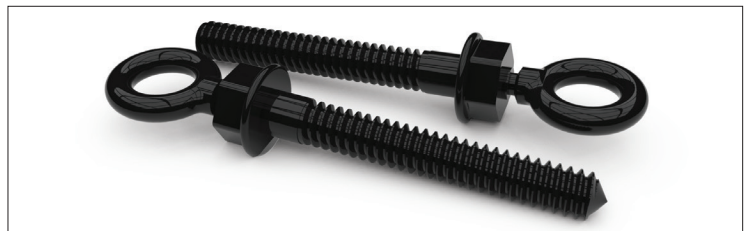


NOTE: Tightening the torque bolt with a screw driver is not recommended. This could lead to breaking off torque bolt rings prematurely.

CAUTION

New torque bolts should be utilized whenever the previously installed bolts are loosened for any reason.

NOTE: Vise Top and Pivot Vise Top Polymer Insulators may be reused if in good condition. Do not reuse torque bolts that have been completely applied and the rings snapped off, or if they are damaged in any way.



Torque Bolts - Catalog Number: PT-01

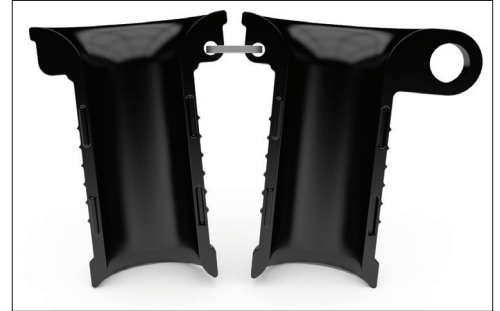
INSTALLATION TOOLS

NOTE: The Stringing Tool is not recommended for use with bare cables, long spans, line or sag angles over approximately 10%. A proper size stringing block should be used at the first and last pole, at large line or sag angles, or long spans throughout the pole, rather than the tool.

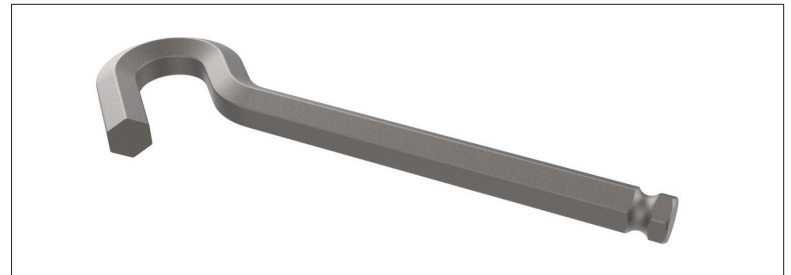
It is recommended that harsh material pulling ropes, such as nylon, be avoided to minimize excessive wear to the inner bore surface of the tool. It is also suggested that low pulling speeds be used when pulling rope or cable through the tool to avoid excessive wear.

The tool can be reused, however it is recommended the tool be inspected after each pull to ensure it is suitable for further use. Areas of wear on the tool from previous pulls can be rotated away from where the rope and conductors will rest in the bore during subsequent pulls. However, do not reuse the tool if there has been excessive wear throughout all areas of the inner bore. Consult PLP for additional resources.

The Stringing Tool is designed for use with nonmetallic pulling lines and jacketed conductors only. The Hook Tool is designed for use with hydraulic tools. It is designed to fit the existing disconnect attachment on most hydraulic wrenches.



Stringing Tool - **Catalog Number: IP-VLST-01**



Hook Tool - **Catalog Number: VTHT-01**



GLOBAL HEADQUARTERS
660 BETA DRIVE
CLEVELAND, OH 44143

+1 440 461 5200
INFO@PLP.COM
PLP.COM