



GUY-GRIP® Dead-end for Equalizing the Tension of Multiple Down Guys

Be sure to read and completely understand this procedure before applying product. Be sure to select the proper PREFORMED™ product before application.

How to obtain equalized tension in multiple guying using the PREFORMED Positive Control Method

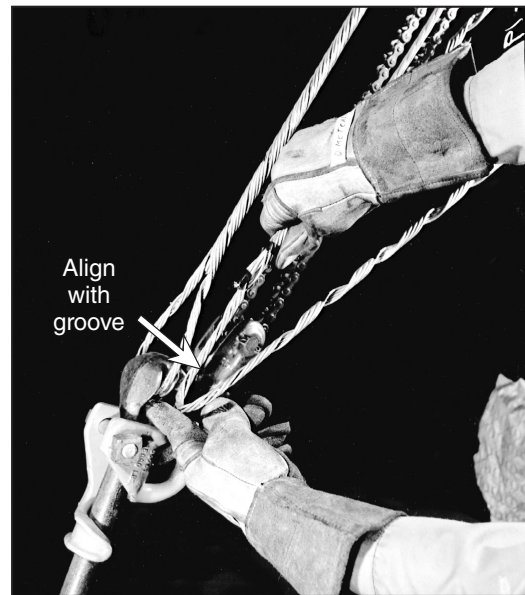
Step #1

Apply and tension the first down guy per the single guy application procedure (SP2045). Install and apply tension to the second down guy wire until the first guy begins to slacken. Continue to increase tension by two more clicks on the hoist.



Step #3

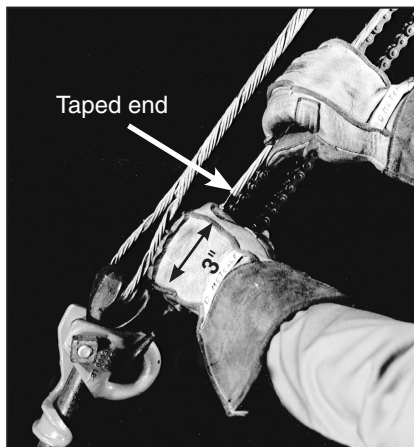
Position the strand in the GUY-GRIP® Dead-end at the cross-over mark (closest to the loop of the dead-end). Pull down while grasping the strand with the right hand, removing as much slack as possible. Using the left hand, align the loop of the GUY-GRIP Dead-end with the groove in the anchor eye as shown below.



Step #2

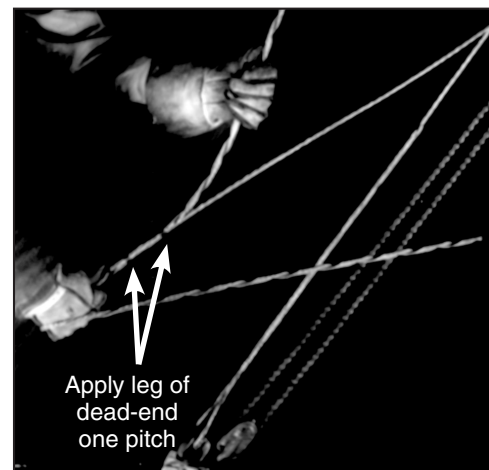
Tape the end of the second guy approximately 3" above the anchor rod and cut the strand.

NOTE: If desired, the tail can extend through the loop for grounding purposes.



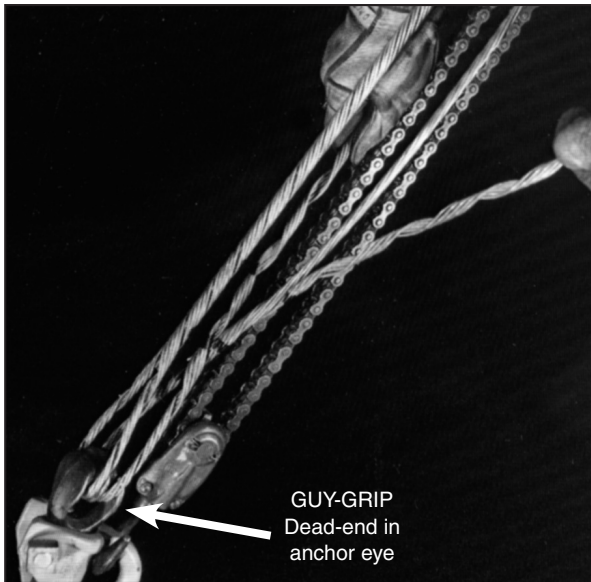
Step #4

Hold the strand tail in place at the cross-over mark. Using your thumb, begin wrapping the first leg of the GUY-GRIP Dead-end. Wrap on one pitch length.



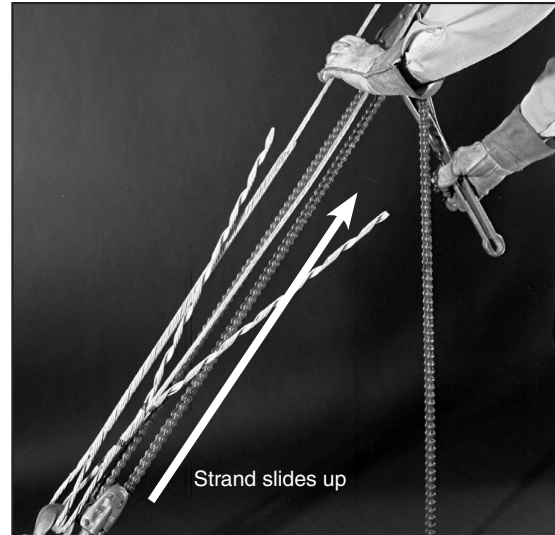
Step #5

Insert the second leg of the GUY-GRIP® Dead-end through the anchor rod eye, line up the cross-over marks of both legs, and **wrap the second leg onto the strand one pitch length.**



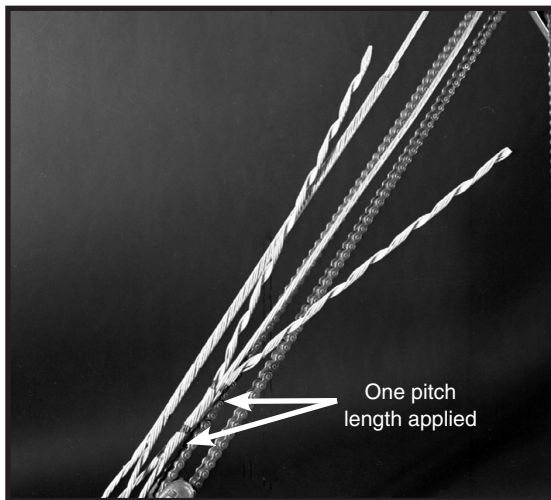
Step #7

Slowly release the hoist, allowing the strand to slip through the GUY-GRIP Dead-end, until the tension appears to be equalized between the two guy wires. When the proper tension is reached, wrap the legs of the GUY-GRIP Dead-end onto the strand to completion ensuring that all leg ends are snapped into place before removing the hoist.



Step #6

Both legs applied one pitch length shown below.


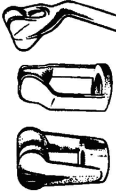
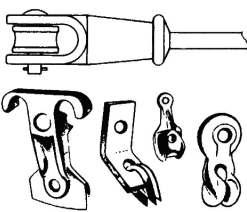
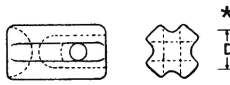


Step #8

Shown below is the completed double down guy application of the GUY-GRIP Dead-end. To ease the final application of the leg ends, the individual wires may be split and rolled back as shown in the inset photo below. Make sure that all rod ends are snapped into place.



Acceptable Fittings:

ANCHOR RODS	THIMBLE EYE-BOLTS, EYENUTS & EYES	POLE FITTINGS	GUY-STRAIN INSULATORS																					
 <p>Anchor Rod Diam.</p> <table border="1" data-bbox="324 420 527 451"> <tr> <td>1/2"</td> <td>3/4"</td> <td>3/4"</td> <td>1"</td> <td>1 1/4"</td> </tr> </table> <p>Loop Diameters 1" to 1 3/4"</p>	1/2"	3/4"	3/4"	1"	1 1/4"	 <table border="1" data-bbox="592 420 812 451"> <tr> <td>3/4"</td> <td>3/4"</td> <td>1/2"</td> <td>3/4"</td> <td>3/4"</td> <td>3/4"</td> </tr> </table> <p>Loop Diameters 1" to 2"</p>	3/4"	3/4"	1/2"	3/4"	3/4"	3/4"	 <p>Loop Diameters 1" to 2 3/8"</p>	 <p>* T D</p> <table border="1" data-bbox="1161 346 1339 451"> <thead> <tr> <th>NEMA</th> <th>D</th> </tr> </thead> <tbody> <tr> <td>54-1</td> <td>1 3/4"</td> </tr> <tr> <td>54-2</td> <td>2 1/8"</td> </tr> <tr> <td>54-3</td> <td>2 3/8"</td> </tr> <tr> <td>54-4</td> <td>2 3/8"</td> </tr> </tbody> </table> <p>Loop Diameters 1 3/4" to 2 3/8"</p>	NEMA	D	54-1	1 3/4"	54-2	2 1/8"	54-3	2 3/8"	54-4	2 3/8"
1/2"	3/4"	3/4"	1"	1 1/4"																				
3/4"	3/4"	1/2"	3/4"	3/4"	3/4"																			
NEMA	D																							
54-1	1 3/4"																							
54-2	2 1/8"																							
54-3	2 3/8"																							
54-4	2 3/8"																							

* L-Series GUY-GRIP Dead-ends will only accept NEMA 54-1 guy-strain insulators. Use GUY-GRIP Dead-ends for larger guy-strain insulators.



For installation of single down guys on a pole, see application procedure **SP2045**. Scan this QR code to download now or visit www.preformed.com.

INSTALLATION GUIDELINES

- GUY-GRIP® Dead-ends are precision devices. To insure a tight assembly, they should be handled carefully. To prevent distortion and damage, they should be installed only as illustrated.
- Within the first three months after the initial application, GUY-GRIP Dead-ends may be removed and reapplied two times after the initial application for the purpose of retensioning the guy. After three months, a new dead-end should be used anytime removal is required.
- GUY-GRIP Dead-ends should be used only on the size strand for which they are designed.
- GUY-GRIP Dead-ends **should not** be used as tools; that is, as come-alongs, pulling-in grips, etc.
- GUY-GRIP Dead-ends should be applied only to smooth-contoured pole line hardware which has ample radius.
- Drive hooks, eye bolts and nuts do not have ample radii. See Acceptable Fittings and Caution box for more information.
- GUY-GRIP Dead-ends should be used on hardware that is held in a fixed position; the fitting should not be allowed to rotate or spin.
- GUY-GRIP Dead-ends should be used with compatible strand and fittings.
- Lay direction of both the GUY-GRIP Dead-ends and the strand should be the same. Most strand is left-hand lay.
- GUY-GRIP Dead-ends should not be used as false dead-ends.
- For best product performance, guy tensions should be maintained at a minimum of approximately 10% of the strand's Rated Breaking Strength (RBS).
- If in doubt about fittings or application, contact your factory representative for an engineering recommendation.

SAFETY CONSIDERATIONS

This application procedure is not intended to supersede any company construction or safety standards. This procedure is offered only to illustrate safe application for the individual. **FAILURE TO FOLLOW THESE PROCEDURES MAY RESULT IN PERSONAL INJURY OR DEATH.**

Do not modify this product under any circumstances.

This product is intended for use by trained technicians only. **This product should not be used by anyone who is not familiar with, and not trained to use it.**

When working in the area of energized lines, extra care should be taken to prevent accidental electrical contact.

For proper performance and personal safety, be sure to select the proper size PREFORMED™ product before application.

PREFORMED products are precision devices. To insure proper performance, they should be stored in cartons under cover and handled carefully.



PREFORMED LINE PRODUCTS

P.O. Box 91129, Cleveland, Ohio 44101 • 440.461.5200 • www.preformed.com • e-mail: inquiries@preformed.com

SP3253-1