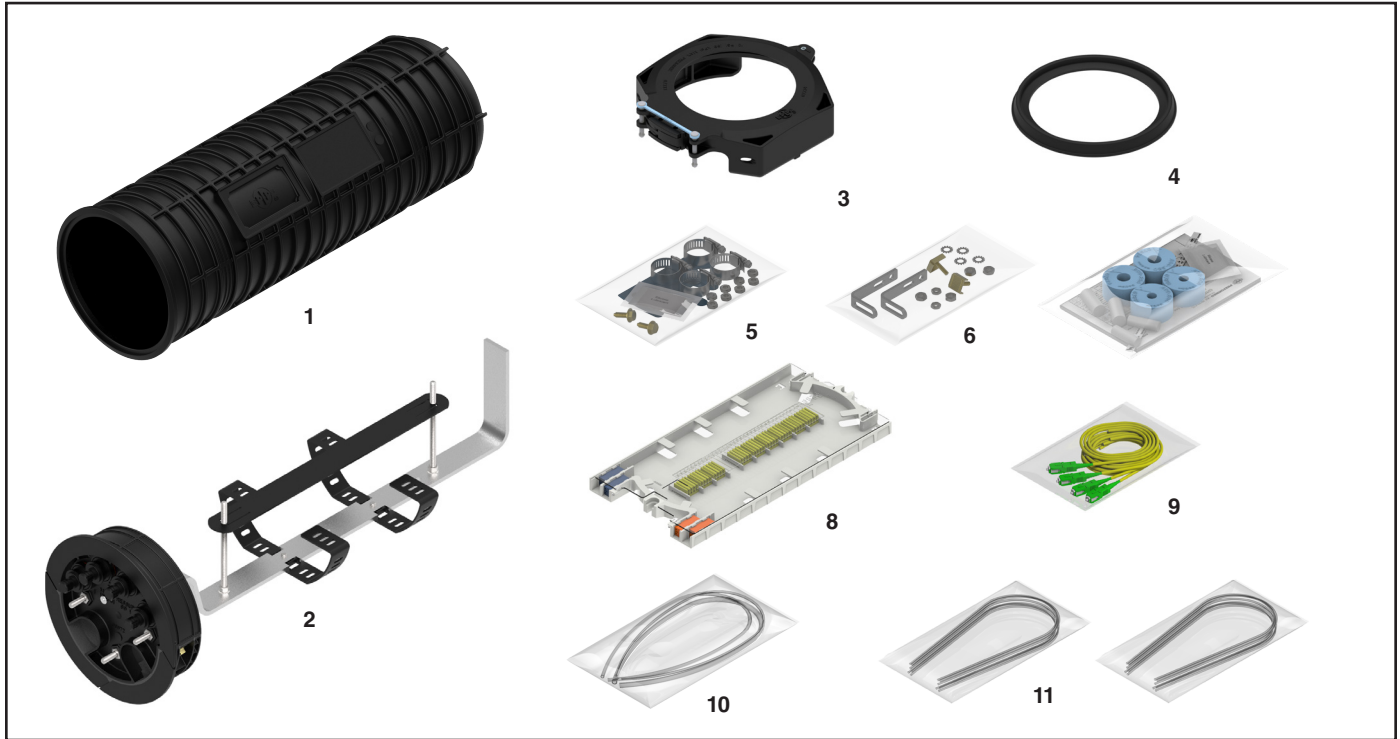




COYOTE® 6.5" x 22" (292 mm x 509 mm) Terminal Dome Closure

Be sure to read and completely understand this procedure before applying product. Be sure to select the proper PREFORMED™ product before application.



NOMENCLATURE

1. Dome (1)
2. Hardened Adapter End Plate with 6.5" x 22" Organizer (1)
3. Dome Collar (1)
4. Dome Gasket (1)
5. Small Parts Bag (1)
6. Strength Member Bracket Kit (1)
7. Grommet Kit (1) (0.40" - 0.60" and 0.60" - 0.85" Cable Range)
8. LITE-GRIP® Short Splice Tray (1)
9. Pigtail Kit (0 or 1)
10. Transition Tubing Kit - Ribbon Organizers ONLY (1)
11. Transport Tubing Kit - Ribbon Organizers ONLY (2)

TOOLS REQUIRED

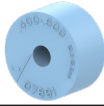

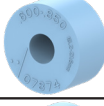

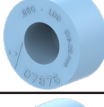
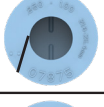
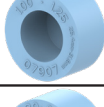

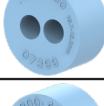

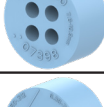
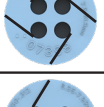
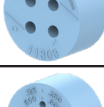

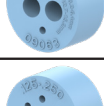
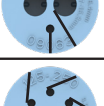
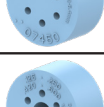
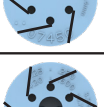
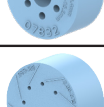
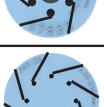
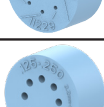




- 3/8" & 7/16" can wrench or socket
- Snips
- Side cutters
- Fiber optic cable opening tools
- 1/4" nut driver
- Utility knife

COYOTE Splice Tray Capacity Chart for COYOTE® 6.5" x 22" Terminal Dome Closure

PLP Catalog Number	Description	Image	Splice Type	Max Trays per Closure	Closure Max Splice Capacity
80810086	Long Standard Profile LITE-GRIP Splice Tray (36ct)		Single Fusion	With Buffer Tube Organizer - 4 With Ribbon Organizer - 3	With Buffer Tube Organizer - 144 With Ribbon Organizer - 108
LGSTS72	Long Deep Profile LITE-GRIP Splice Tray (72ct)		Single Fusion	With Buffer Tube Organizer - 3 With Ribbon Organizer - 2	With Buffer Tube Organizer - 216 With Ribbon Organizer - 144
LGSTR216	Long Deep Profile LITE-GRIP Splice Tray (216ct)		Mass Fusion/ Ribbon	With Buffer Tube Organizer - N/A With Ribbon Organizer - 2	With Buffer Tube Organizer - N/A With Ribbon Organizer - 432

Closure Kits for COYOTE® Terminal Dome Closure 6.5" x 22"	
PLP Catalog Number	Description
COYTD622B0-000	COYOTE 6.5" x 22" Terminal Dome Closure with 0 Hardened Adapters – Buffer Tube Applications
COYTD622B1-000	COYOTE 6.5" x 22" Terminal Dome Closure with 1 Hardened Adapters – Buffer Tube Applications
COYTD622B2-000	COYOTE 6.5" x 22" Terminal Dome Closure with 2 Hardened Adapters – Buffer Tube Applications
COYTD622B3-000	COYOTE 6.5" x 22" Terminal Dome Closure with 3 Hardened Adapters – Buffer Tube Applications
COYTD622B4-000	COYOTE 6.5" x 22" Terminal Dome Closure with 4 Hardened Adapters – Buffer Tube Applications
COYTD622R0-000	COYOTE 6.5" x 22" Terminal Dome Closure with 0 Hardened Adapters – Ribbon Applications
COYTD622R1-000	COYOTE 6.5" x 22" Terminal Dome Closure with 1 Hardened Adapters – Ribbon Applications
COYTD622R2-000	COYOTE 6.5" x 22" Terminal Dome Closure with 2 Hardened Adapters – Ribbon Applications
COYTD622R3-000	COYOTE 6.5" x 22" Terminal Dome Closure with 3 Hardened Adapters – Ribbon Applications
COYTD622R4-000	COYOTE 6.5" x 22" Terminal Dome Closure with 4 Hardened Adapters – Ribbon Applications
Accessory Kits for COYOTE Terminal Dome Closure 6.5" x 22"	
COYEPFIX1	End Plate Assembly Fixture for COYOTE Domes
8004160	Heat Shrink Splice Protector Kit – Includes (50) 40 mm Mass Fusion
8004095	Heat Shrink Splice Protector Kit – Includes (50) 40 mm Single Fusion
8003717	Heat Shrink Splice Protector Kit – Includes (50) 60 mm Single Fusion
80807332	Latching Collar for 6.5" Domes
80809205	Strength Member Bracket Kit – Includes (2) Short L-Brackets
800015236	Strength Member Bracket Kit – Includes (3) Long L-Brackets and (3) Hose Clamps
80808651	Strength Member Bracket Kit – Includes (4) Long L-Brackets
80808997	End Plate Gasket for 6.5" OptiTap Domes
80808878	Large Strength Member Adapter Kit
80811037	4-Port Cable Retention Bobbin Kit
80811036	6-Port Drop Cable Retention Bobbin Kit
80812928	6/8-Port Drop Cable Retention Bobbin Kit
8003715	Hardened Adapter Kit with Installation Tool
8004115	Bulk Pack of Hardened Adapters – Includes (10) Hardened Adapters
8003724	Plug Kit with Installation Tool
8004060	Bulk Plug Kit – Includes (10) Plugs
80807972	Adapter Installation Tool
COYOTE Terminal Dome Closure 6.5" x 22" Mounting Brackets	
8003831	Aerial Mounting Bracket – Strand Applications
8003833	Aerial Mounting Bracket – ADSS Applications
8004035	Aerial Adjustable Offset Mounting Bracket – Strand Applications
8004036	Aerial Adjustable Offset Mounting Bracket – ADSS Applications
8003702	Pole/Wall Mounting Bracket
8003835	Universal Mounting Bracket Kit for Handhole Applications
8003707	Swing Arm for Handhole Applications

COYOTE Grommet Chart for COYOTE 6.5" x 22" Terminal Dome Closure

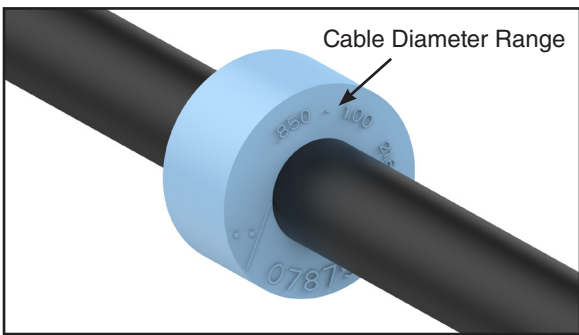
PLP Catalog Number	Cable Range Inches (mm)	Description	Image	Slitting Location
8003691	.40 - .60 (10.2 - 15.2 mm)	1-entry grommet		
8003692	.60 - .85 (15.2 - 21.6 mm)	1-entry grommet		
8003693	.85 - 1.00 (21.6 - 25.4 mm)	1-entry grommet		
8003694	1.00 - 1.25 (25.4 - 31.8 mm)	1-entry grommet		
8003663	.42 - .60 (10.7 - 15.2 mm)	2-entry grommet		
8003664	.30 - .43 (7.6 - 10.9 mm)	4-entry grommet		
8004065	.250 - .312 (6.4 - 7.9 mm)	4-entry grommet		
8003990	.50 - .60 (12.7 - 15.2 mm) .125 - .250 (3.2 - 6.4 mm) and flat drop	4-entry grommet		
8003665	.125 - .250 (3.2 - 6.4 mm) and flat drop	6-entry grommet		
8003676	.42 - .60 (10.7 - 15.2 mm) .125 - .250 (3.2 - 6.4 mm) and flat drop	7-entry grommet		
8004094	.093 - .125 (2.4 - 3.2 mm)	8-entry grommet		
8003677	.125 - .250 (3.2 - 6.4 mm) and flat drop	8-entry grommet		N/A
8004122	RPX only	2-entry grommet		

CABLE PREPARATION

Step #1 Measure the cable to determine the diameter and hole location to use in the grommet.



Step #2 If using cut cable, insert cable through grommet. If your application requires express/balloon/ring cut cables, see **Step 4 for grommet slitting procedure.**

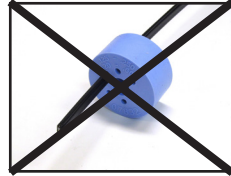


Step #3 Installing Figure 8 Style Cables and Cables with Tracer Wires

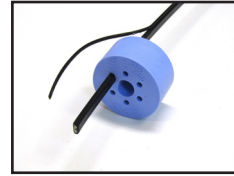
Remove tracer wire or ground wire from the portion of the cable that will be positioned into the grommet and insert cable into grommet.

Remove any burrs left on the cable caused by separating the tracer wire from the sheath.

Cable with Tracer Wire

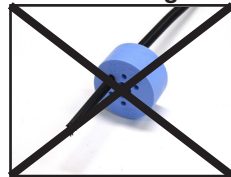


NOT CORRECT
INSTALLATION

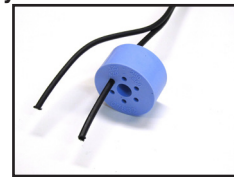


CORRECT
INSTALLATION

Figure 8 Style Cable

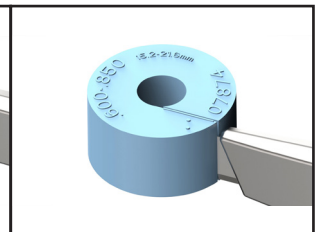
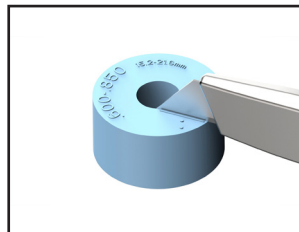


NOT CORRECT
INSTALLATION

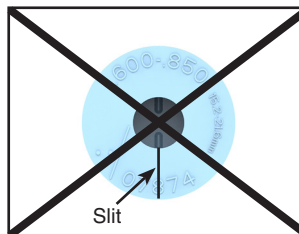


CORRECT
INSTALLATION

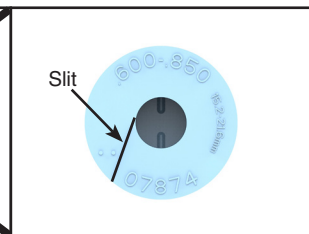
Step #4 Grommet Slitting – If slitting is required, lay grommet on a stable flat surface. Position utility knife with the cutting edge against the top surface and cut through grommet. **Consult the grommet chart on page 3 for slitting locations of all grommets.**



PLP TIP: Use a pen to sketch slitting lines on top surface of grommet prior to cutting.

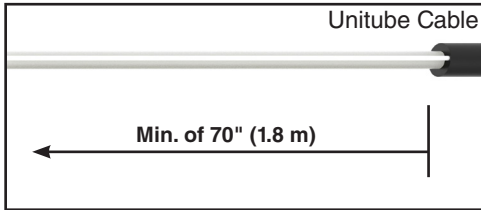
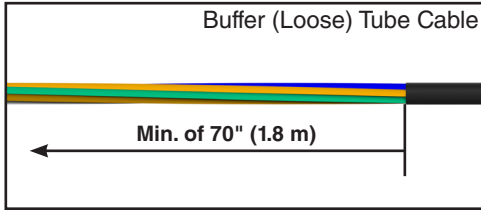


NOT CORRECT
SLITTING ANGLE



CORRECT SLITTING
ANGLE

Step #5 Prepare loose tube/buffer tube or unitube/ribbon cable(s) for cut applications.

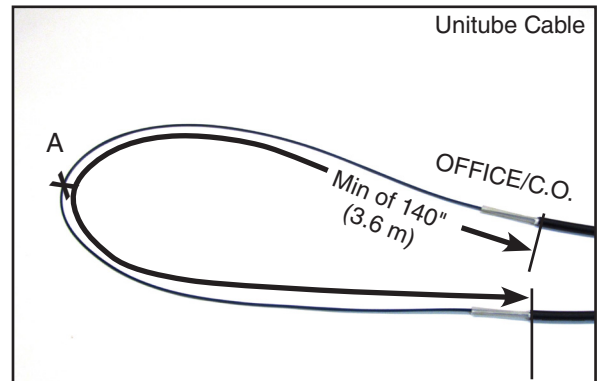
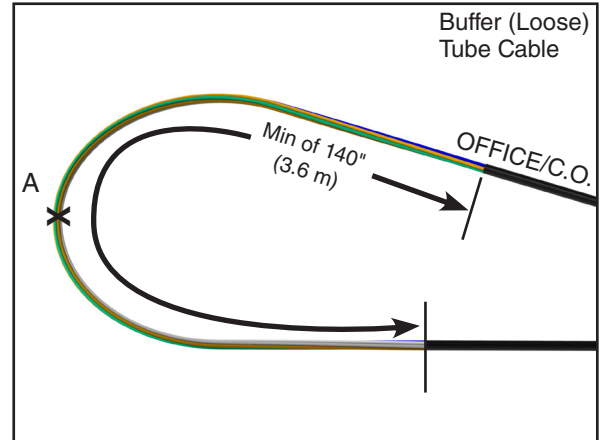


Minimum Sheath Opening for Cut Cable Applications	
Buffer/ Loose Tube Cable	70" (1.8 m)
Unitube Cable	70" (1.8 m)

PLP TIP: Leave about 8" (203 mm) of strength member to trim later.

Cable Sheath Opening for Applications Where Fiber is NOT Dedicated to the Splice Point

Step #6 Prepare loose tube/buffer tube or unitube/ribbon cable(s) for mid sheath applications (Express/Balloon/Ring Cut).



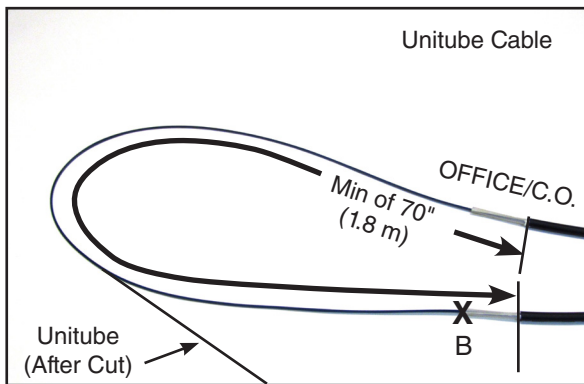
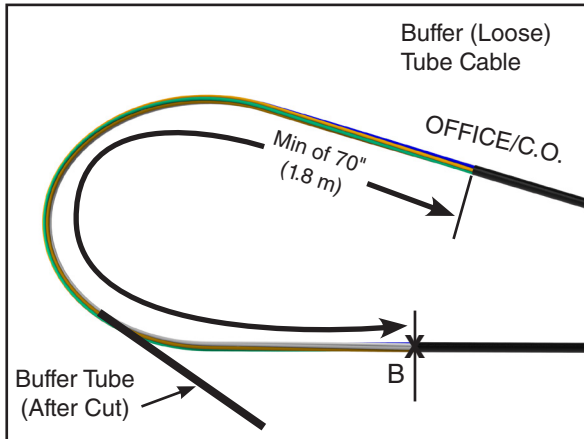
NOTE: When expressing ribbons in the slack basket of the closure at this measurement, the maximum number of ribbons that can be expressed is 36 ribbons (432 fibers).

For Applications Where Fiber is NOT Dedicated to the Splice Point	
Sheath Opening	Max. of 140" (3.6 m)
Buffer Tube Cable Cut Location	A (see 1st image)
Unitube Cable Cut Location	A (see 2nd image)

PLP TIP: Leave about 8" (203 mm) of strength member to trim later.

Cable Sheath Opening for Applications Where Fiber is Dedicated to the Splice Point

Step #7 Prepare loose tube/buffer tube or unitube/ribbon cable(s) for mid sheath applications (Express/Balloon/Ring Cut).



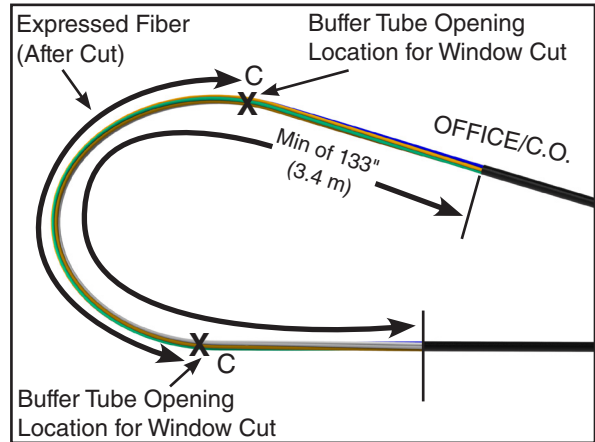
NOTE: When expressing ribbons in the slack basket of the closure at this measurement, the maximum number of ribbons that can be expressed is 36 ribbons (432 fibers).

For Applications Where Fiber is Dedicated to the Splice Point	
Sheath Opening	Min. of 70" (1.8 m)
Buffer Tube Cable Cut Location	B (see 1st image)
Unitube Cable Cut Location	B (see 2nd image)

PLP TIP: Leave about 8" (203 mm) of strength member to trim later.

Cable Sheath Opening for Window Cut Applications

Step #8 Prepare loose tube/buffer tube cable(s) for expressed fiber (buffer tube window cut).

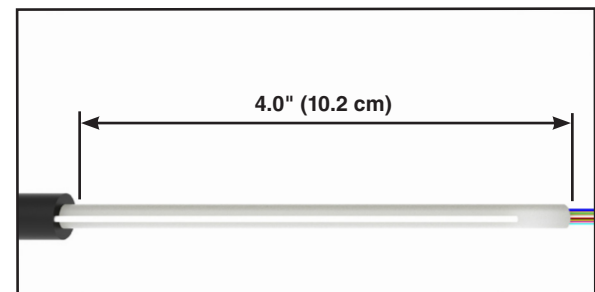


For Window Cut Applications	
Buffer Tube Length	26" (0.66 m)
Expressed Fiber Length	81" (2.06 m)
Sheath Opening	133" (3.4 m)
Buffer Tube Opening Location	C (see image above)

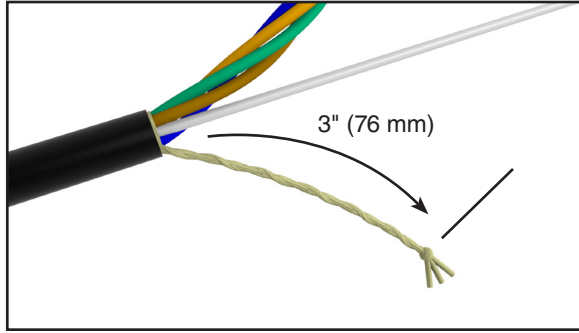
PLP TIP: Leave about 8" (203 mm) of strength member to trim later.

Core Tube Opening for Unitube Cables

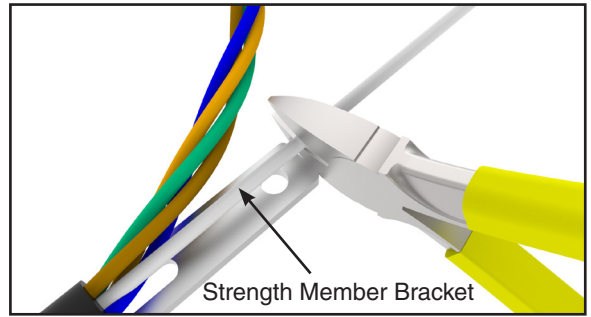
Step #9 Prepare Central/Buffer Tube(s) for Unitube/Ribbon Cable Applications.



Step #10 If the cable contains aramid yarn, braid roughly 3" (7.2 cm) of the aramid yarn.

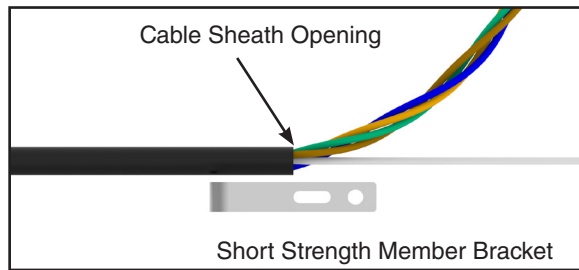
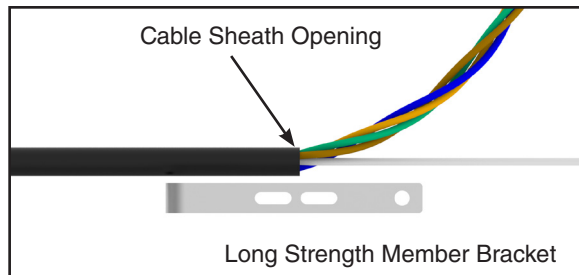


Step #12 Trim the strength members flush with the end of the strength member bracket(s).

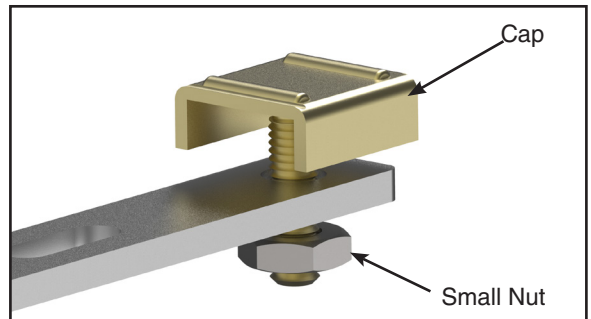


Attaching Standard Buffer Tube Cable to Strength Member Bracket

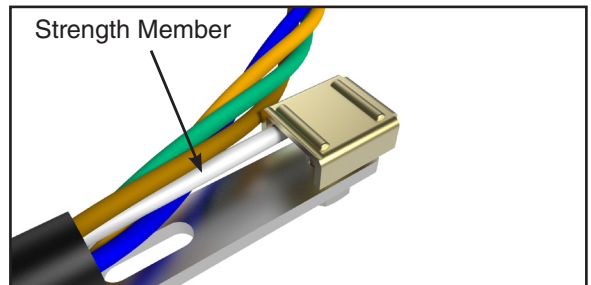
Step #11 Align the sheath opening with the end of the slot of the strength member bracket as shown below.



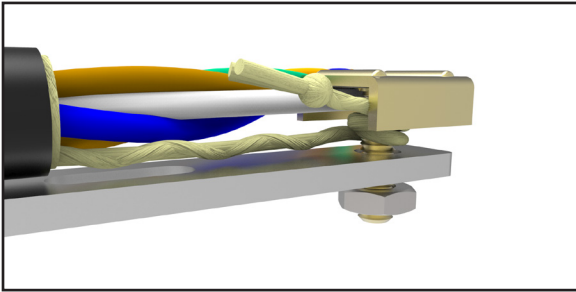
Step #13 Trim the strength members flush with the end of the strength member bracket(s).



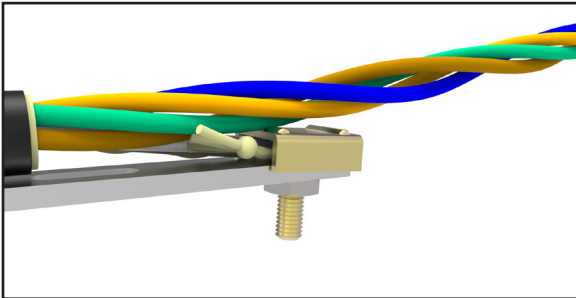
Step #14 Position strength members under the cap of the strength member bracket(s).



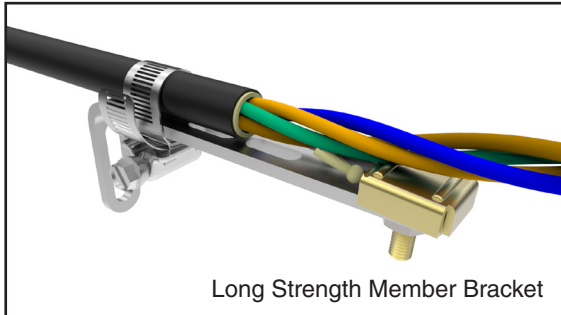
Step #15 If the cable contains aramid yarn, wrap the braided aramid yarn around the stud of the cap as shown.



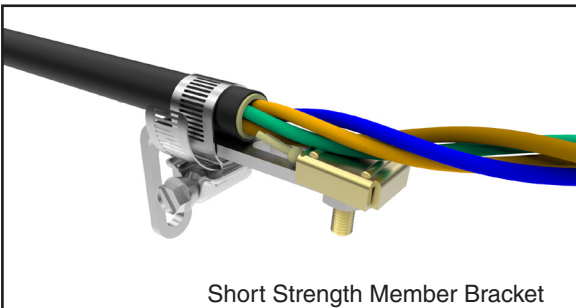
Step #16 Tighten the nut of the cap to secure the strength members under the cap.



Step #17 Secure the cable to the strength member bracket(s) with a hose clamp.



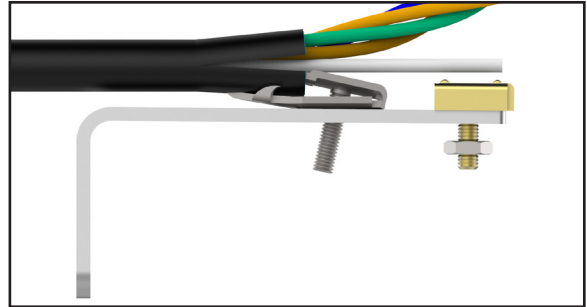
Long Strength Member Bracket



Short Strength Member Bracket

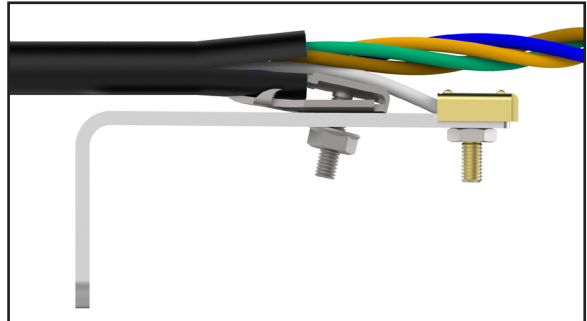
Attaching Shielded Cable to Strength Member Bracket

Step #18 Install the shield connector on the cable and insert the stud of the shield connector through the slot of the strength member bracket.

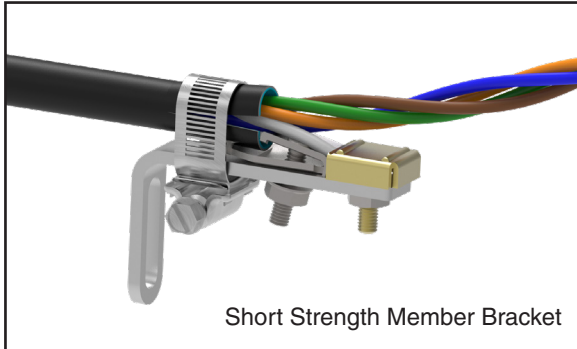
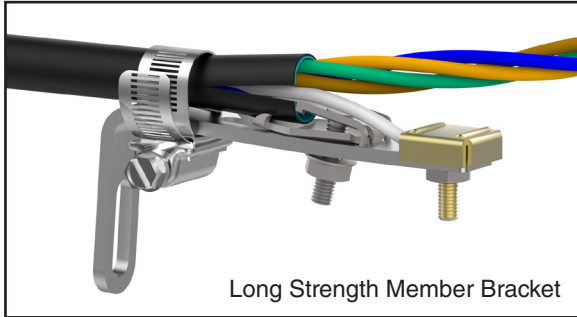


Follow standard company practices when applying shield connector to cable.

Step #19 Secure the shield connector to the strength member bracket with the nut and secure the cable strength members under the cap of the strength member bracket.

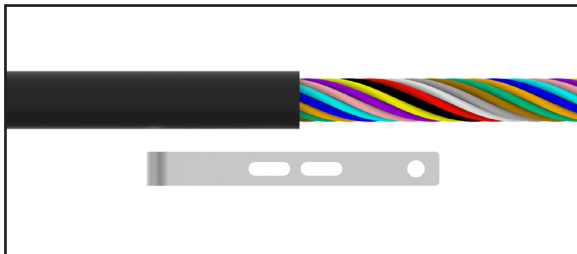


Step #20 Secure the shielded cable to the strength member bracket with the hose clamp.

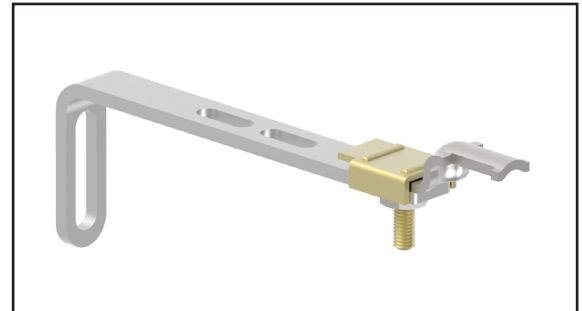
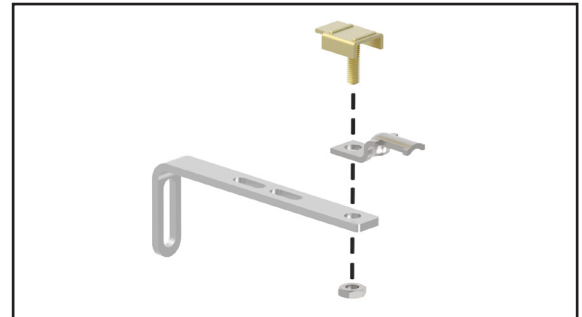


Securing Cable with Large Central Strength Member to Strength Member Bracket

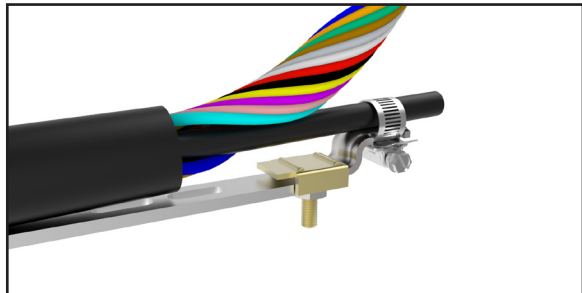
Step #21 Align the sheath opening with the end of the slot of the strength member bracket as shown below.



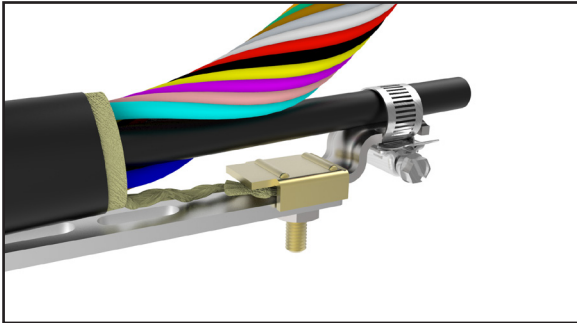
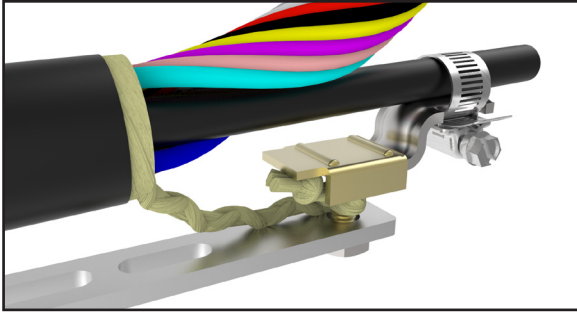
Step #22 Assemble the adapter to the bracket as shown below.



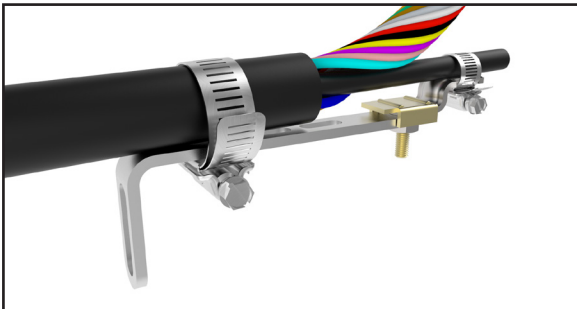
Step #23 Trim the large strength member 1/2" (12.7 mm) past the end of the adapter. Secure the cable strength member to the adapter with the small hose clamp provided.



Step #24 If the cable contains aramid yarn, braid roughly 3" (76 mm) of it and wrap it around the stud of the cap as shown below. Tighten the nut of the cap to secure the yarn under the cap.



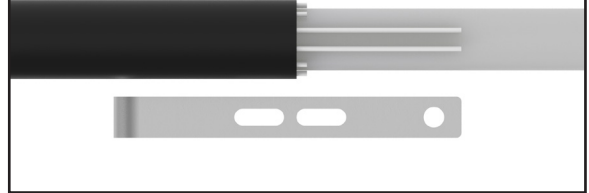
Step #25 Secure the cable to the strength member bracket with the hose clamp provided.



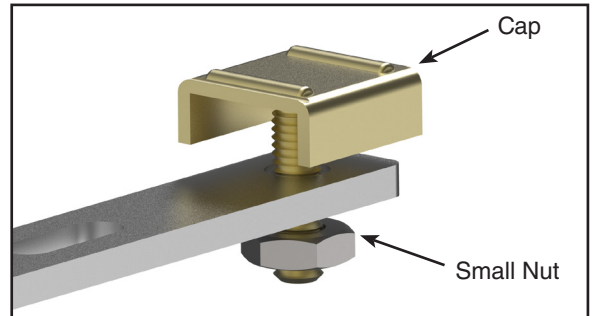
Attaching Unitube Cable to Strength Member Bracket

Step #26 Align the sheath opening of each cable with the end of the slot of the strength member bracket and trim the strength members of each cable flush with the end of the bracket as shown below.

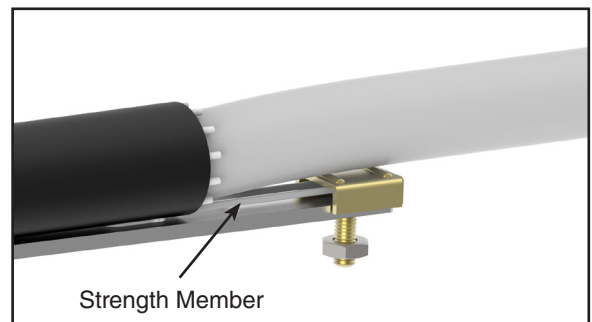
NOTE: Only two strength members are needed. Remaining strength members can be cut off.



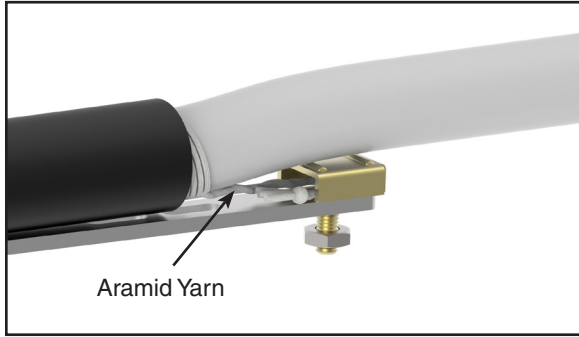
Step #27 Install the cap on the strength member bracket and loosely secure it to the bracket with the small nut provided.



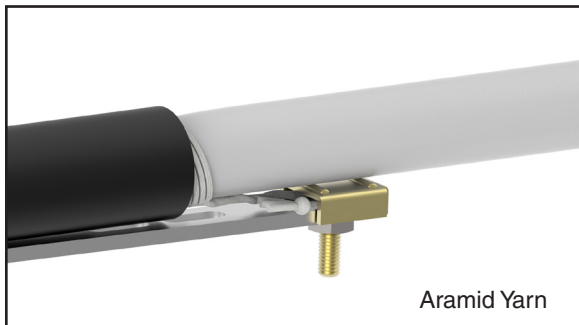
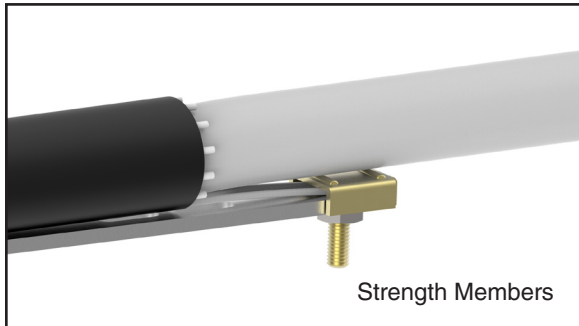
Step #28 Position the strength members under the cap of the strength member bracket.



Step #29 If the cable contains aramid yarn, wrap the yarn around the stud of the cap as shown below.



Step #30 Tighten the nut of the cap to secure the strength members or the aramid yarn under the cap.

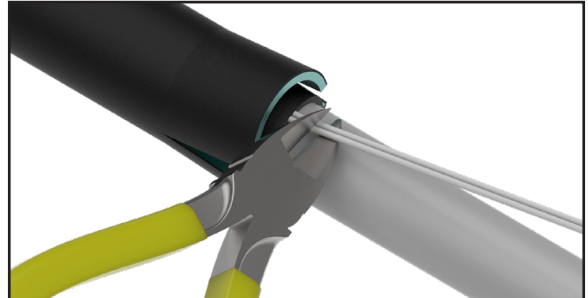


Step #31 Secure the cable to the strength member bracket with the hose clamp.

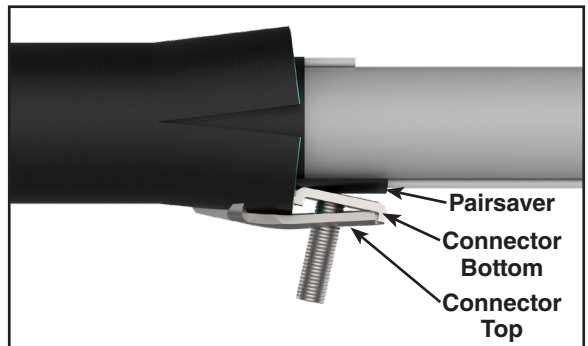


Securing Armored Cable with Strength Members Embedded in the Cable Sheath to Strength Member Bracket

Step #32 Cut off one set of strength members as close to the cable sheath opening as possible.

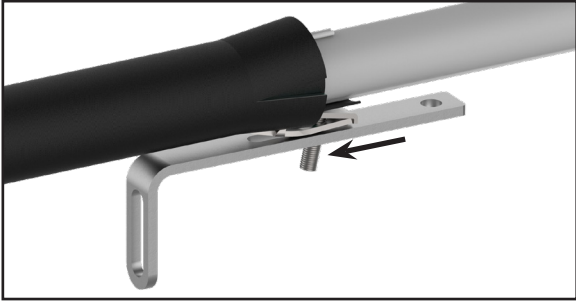


Step #33 Install the shield connector onto the cable as shown below. **NOTE: PLP recommends using a 3M 4460-D/FO Fiber Optic Shield Connector (Catalog Number: 80803989) for shielded cable applications.**

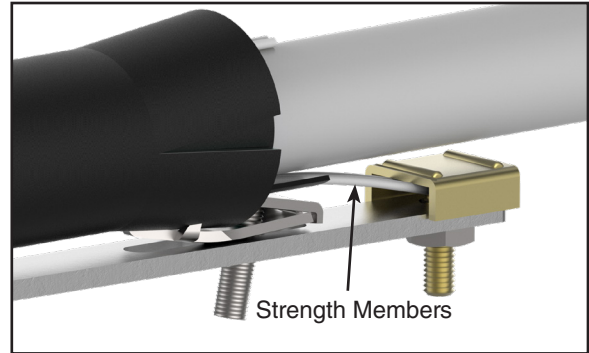


Follow your standard company practices when applying the shield connector to the cable.

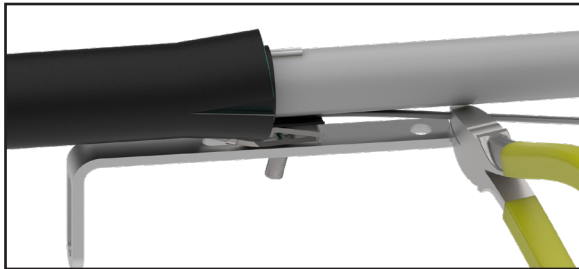
Step #34 Insert the stud of the shield connector through the slot closest to the end of the strength member bracket and push the stud to the back of the slot (away from the end of the bracket).



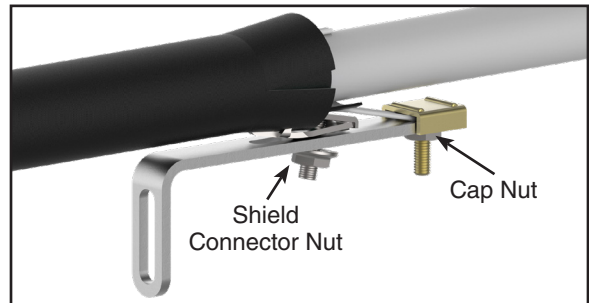
Step #37 Re-insert the stud of the shield connector through the slot of the strength member bracket and capture the strength members of the cable under the cap of the bracket.



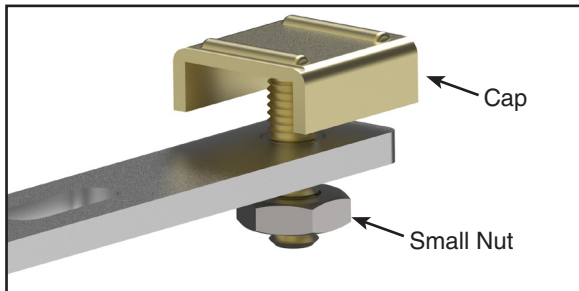
Step #35 Trim the other set of strength members flush with the end of the strength member bracket.



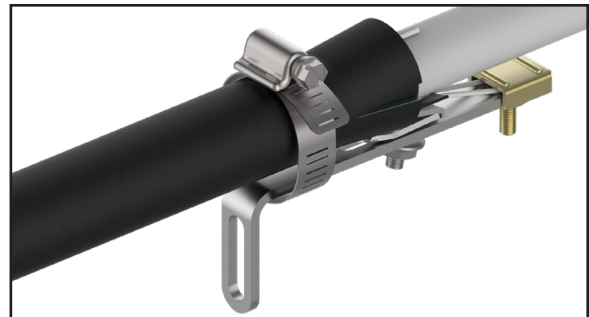
Step #38 Secure the shield connector to the strength member bracket with the nut provided with the shield connector and secure the cable strength members by tightening the nut of the cap.



Step #36 Install the cap on the strength member bracket and loosely secure it to the bracket with the small nut provided.

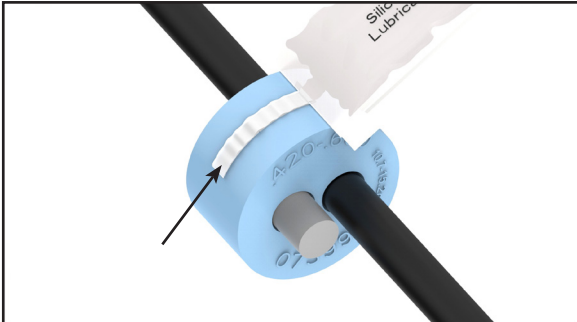


Step #39 Secure the shielded cable to the strength member bracket with the hose clamp.

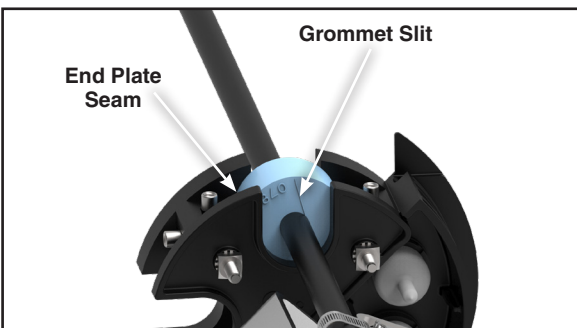
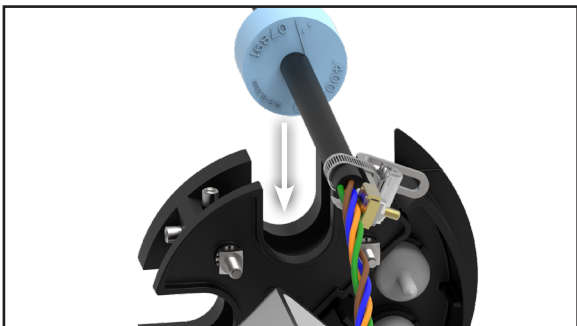


Cable Installation and Routing

Step #40 Lubricate the outer surface of the grommets. Spread lubricant evenly around the outer surface.

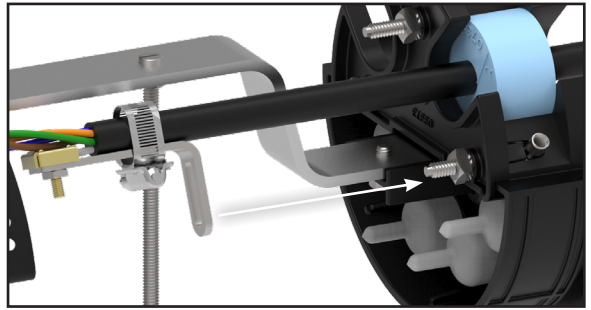


Step #41 Position the grommets in the end plate slots.

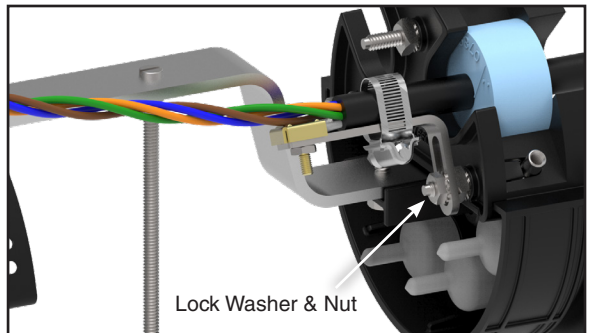


DO NOT align grommet slit with end plate seam.

Step #42 Position the slot of the strength member bracket leg over the stud and pull back the cable.



Step #43 Install the strength member bracket on the stud. Install the lock washer and nut against the bracket, but do not tighten fully, so the bracket can slide as the grommet is inserted.



Step #44 Install the end caps and secure with hex bolts.



NOTE: Tighten bolts by hand evenly until end cap is fully seated (**DO NOT USE POWER TOOLS TO TIGHTEN BOLTS**).

When using a can wrench or nut driver, the installed torque is 35 to 40 in-lbs.

NOTE: TIGHTEN ALL UNUSED END CAPS.

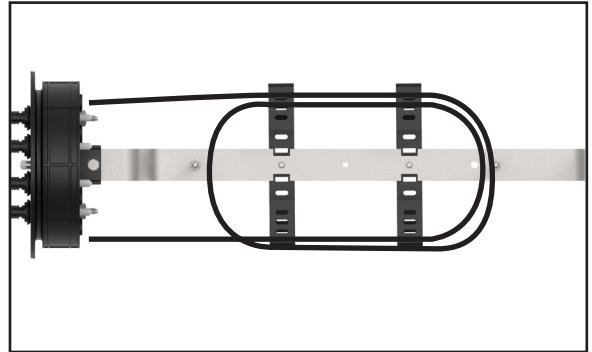
IMPORTANT: TIGHTEN DOWN THE STRENGTH MEMBER BRACKET AFTER THE CAPS ARE TIGHTENED.

Step #45 Complete end plate assembly.

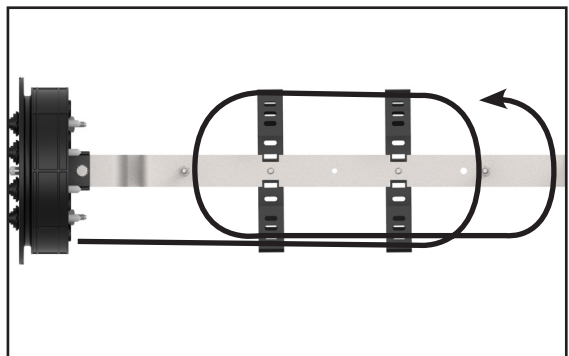
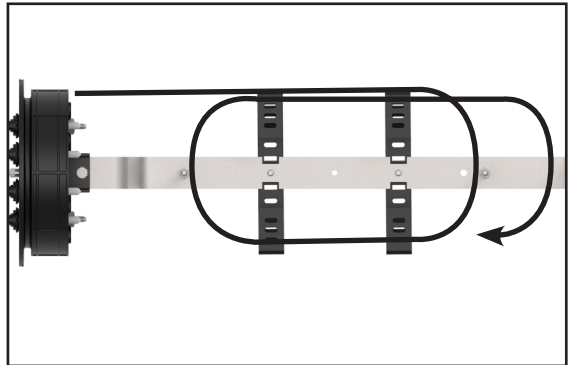


Buffer Tube Applications

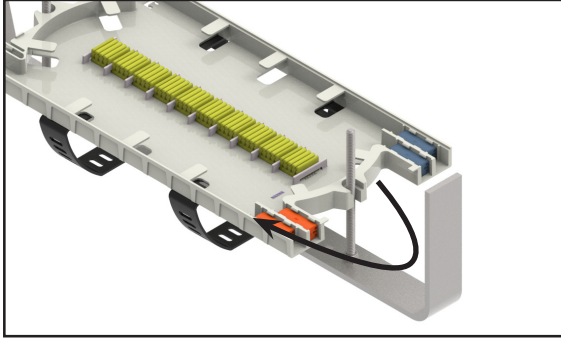
Step #46 Route buffer tubes to be expressed in the side storage brackets as shown.



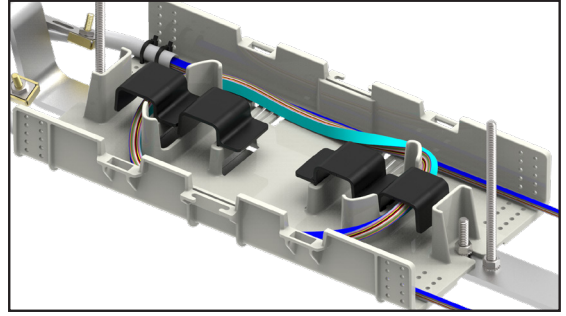
Step #47 Route and store buffer tubes to be spliced in the storage brackets.



Step #48 Route buffer tube(s) to splice tray(s) and secure.

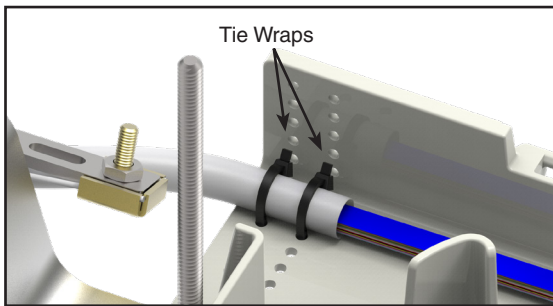


Step #51 Install organizer clips in slack basket and route expressed fibers or ribbons under clips.

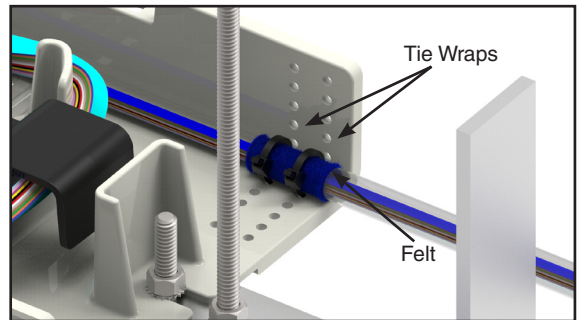


Unitube Applications

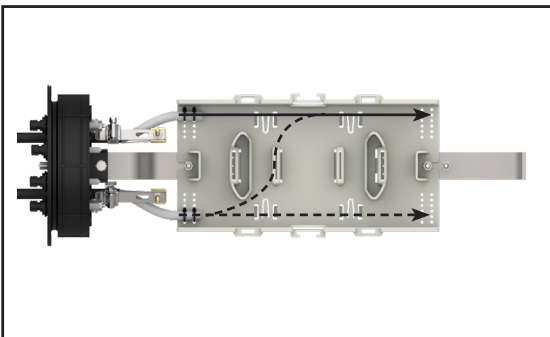
Step #49 Route and secure the central tube of unitube cables to the slack basket.



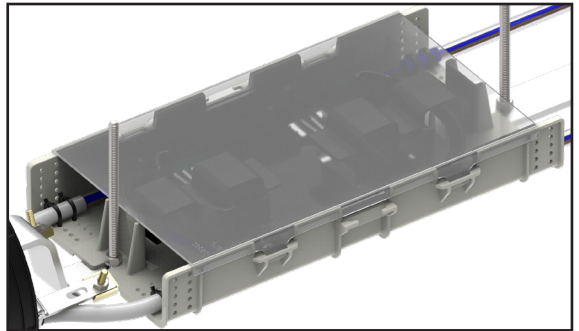
Step #52 Insert fibers or ribbons to be routed to splice tray(s) into transport tube(s) and secure tubes to slack basket.



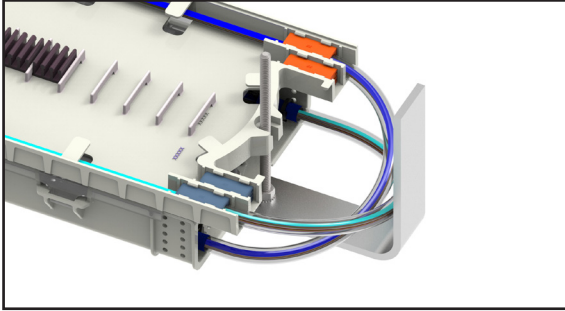
Step #50 Route feeder fibers or ribbons within slack basket.



Step #53 Install cover on slack basket.

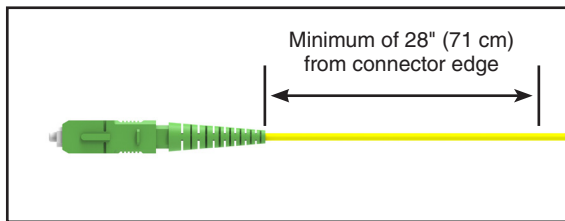


Step #54 Route transport tube(s) to splice tray(s) and secure.

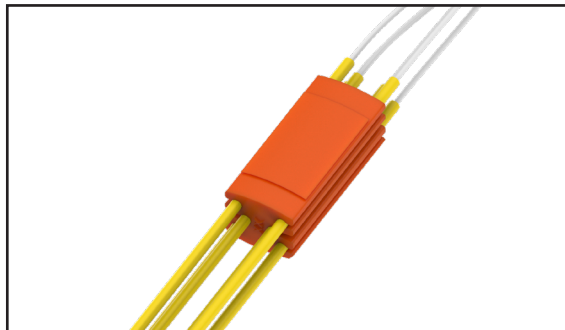


Pigtail Assembly Installations

Step #55 Measure and mark pigtail. Remove the pigtail jacket and aramid yarn beyond this mark.

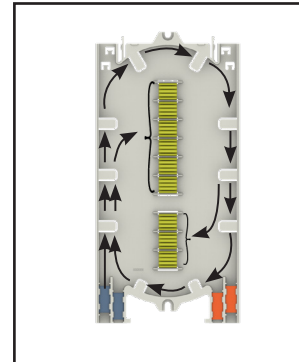


Step #56 Install pigtails into LITE-GRIP® Sleeve.



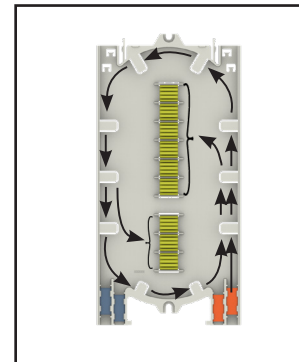
Splice Tray Management

Step #57a Routing incoming fibers in single fusion splice tray.



Top: Splices 1-48
Bottom: Splices 49-72

Step #57b Routing outgoing fibers in single fusion splice tray.

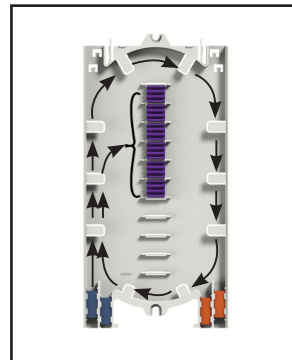


Top: Splices 1-48
Bottom: Splices 49-72

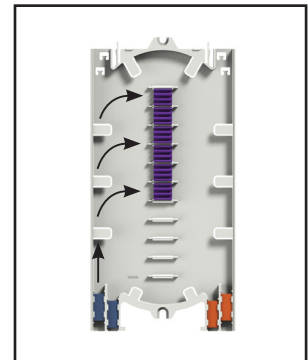
Step #58a Routing incoming fibers in mass fusion splice tray.

Slack Storage on Splice Tray

Slack Storage in Slack Basket



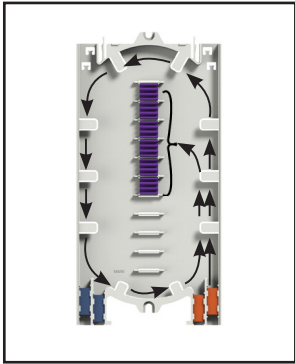
Splices 1-18



Splices 1-18

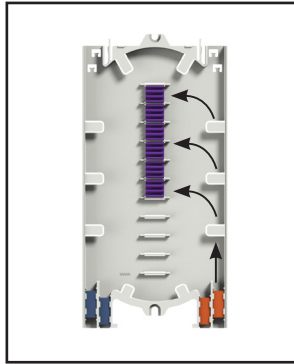
Step #58b Routing outgoing fibers in mass fusion splice tray.

Slack Storage on Splice Tray



**Splices
1-18**

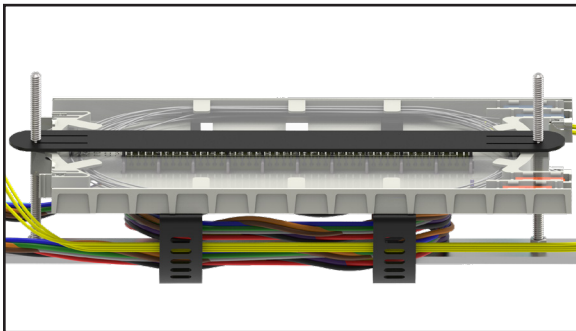
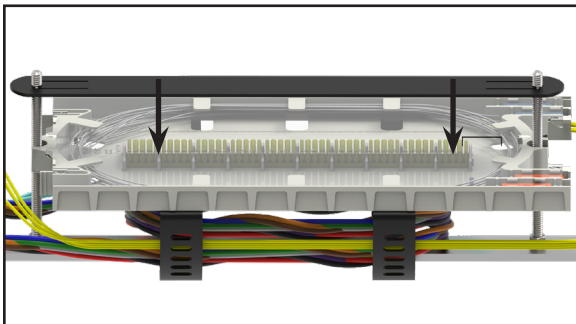
Slack Storage in Slack Basket



**Splices
1-18**

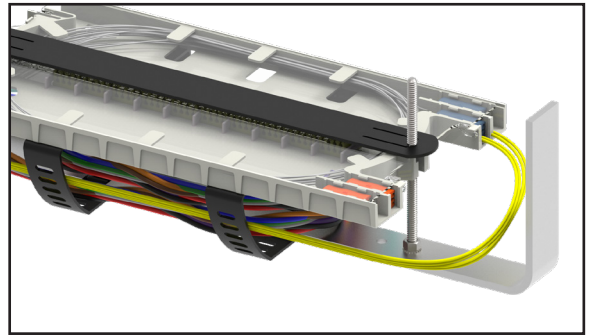
Step #59 Splice incoming ribbons to outgoing ribbons per your accepted company practices.

Step #60 Secure splice tray(s) with hold down strap.

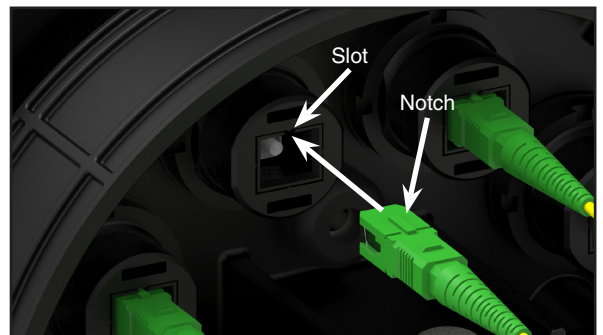
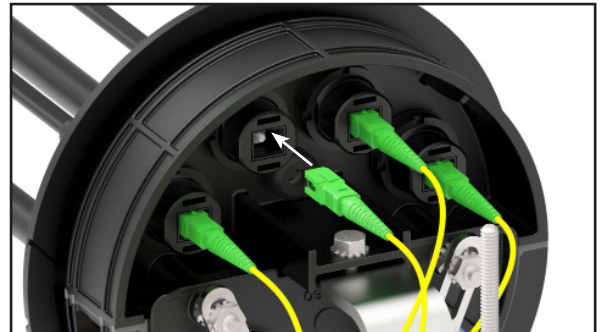


Pigtail Routing

Step #61 Route pigtailed to end plate as shown.



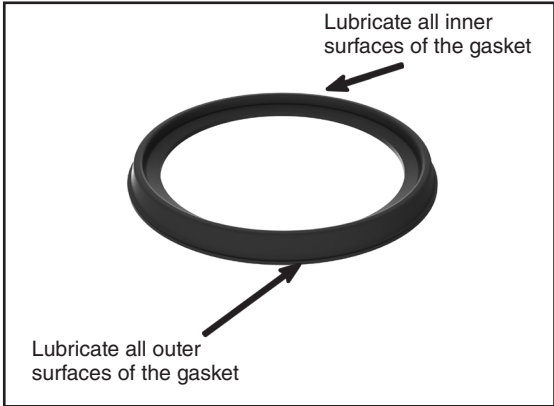
Step #62 Install pigtail connectors into adapters. Fit the notch of the adapter into the slot of the port.



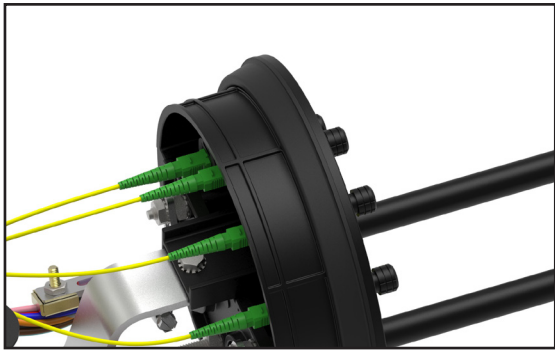
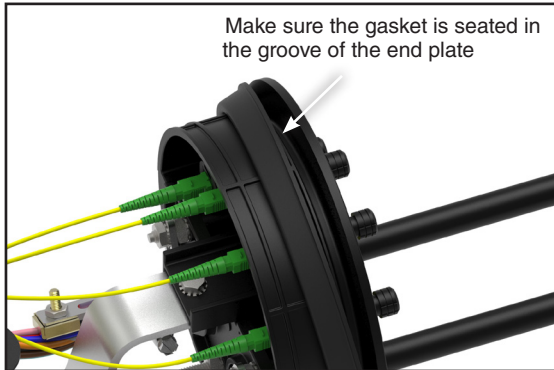
Dome Preparation & Installation

Step #63 Re-tighten all end cap bolts (step #44) to assure that the end caps are fully seated. When using a can wrench or nut driver, the installed torque is 35 to 40 in-lbs.

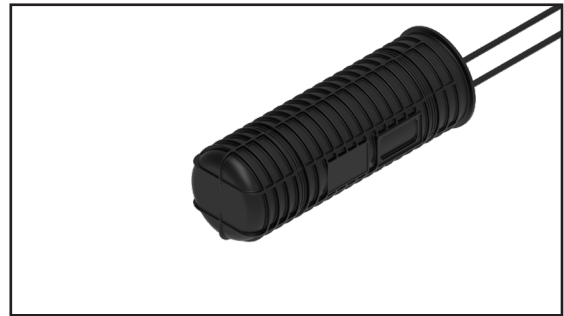
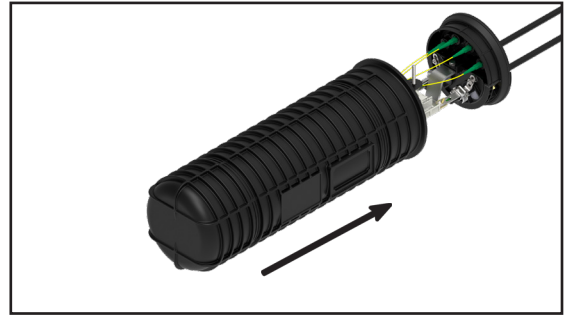
Step #64 Lubricate all surfaces around gasket with silicone lubricant to assure easy assembly and closure re-entry.



Step #65 Slide the end plate gasket onto the end plate and press into the groove.



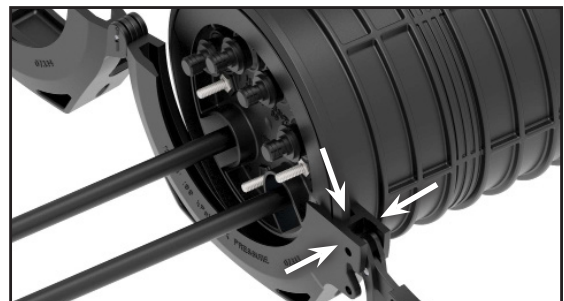
Step #66 Position the dome over the end plate.



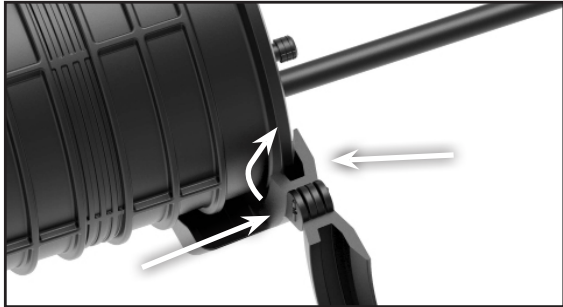
Step #67 Position the collar flat on the work surface in front of the closure as shown below.



Step #68 While holding the collar in place, compress a portion of the end plate into the dome and insert them in the groove of the collar near the latch, as shown below



Step #69 While holding the collar in place, push against the end of the dome and slightly lift and push the other half of the dome up and over the lip of the collar with your fingers to fully install the dome in the collar half.



Step #70 Check to make sure the lip of the dome is captured within the collar half.

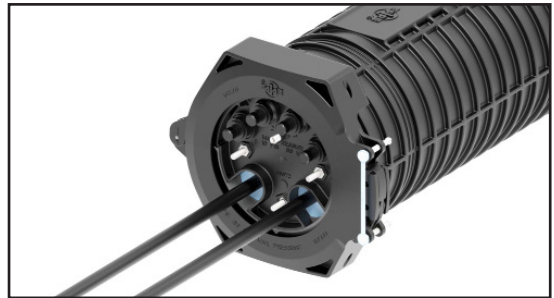
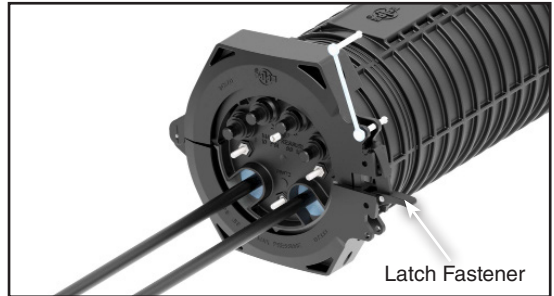
Front Side



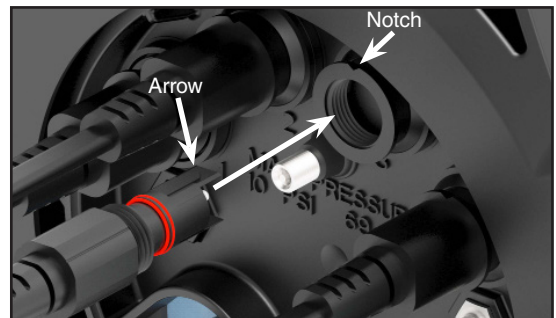
Back Side



Step #71 Fasten the latch and lock the collar with the pin.



Step #72 Install drop cable connectors into adapters.



NOTE: Make sure arrow of connector is aligned with notch of adapter when installing connector

Flash Test Procedure

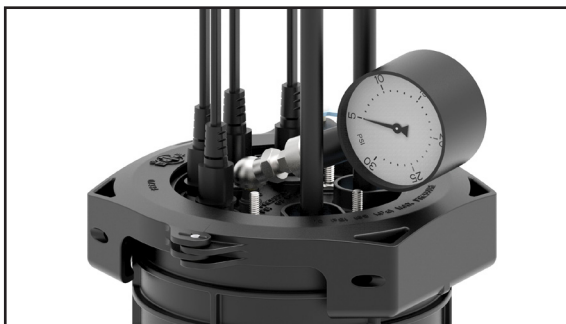
Step #73 Remove the cap from the air valve of the end plate.



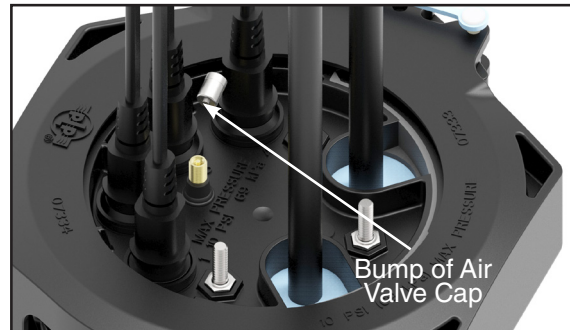
Step #75 Spray all the sealing surfaces of the dome end plate with a soap/water solution to determine if the end plate has been assembled properly.



Step #74 Pressurize closure up to a max of 5 psi.



Step #76 Release the pressure in the closure using the bump on the top of the air valve cap.

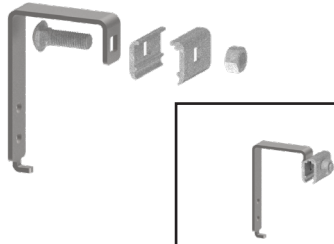


Aerial Mounting Options

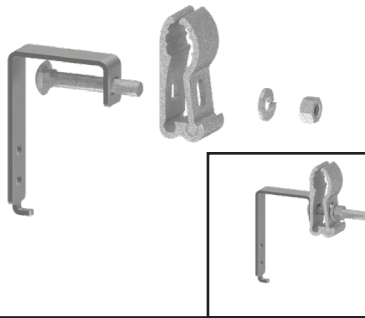
Step #77a 6.5" Dome Strand Mount Aerial Offset Bracket Kit (PLP Catalog Number: 8004035) and 6.5" Dome ADSS Mount Aerial Offset Bracket Kit (PLP Catalog Number: 8004036).

Assemble each bug nut or ADSS clamp to each top aerial offset bracket as shown below.

Strand Clamp

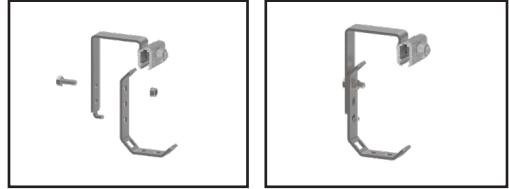


ADSS Clamp



Step #77b For Taller Spacing.

Align the top aerial offset bracket with the bottom aerial offset bracket in either Position 1 or Position 2 as shown below and secure with the bolts and keps nuts provided.



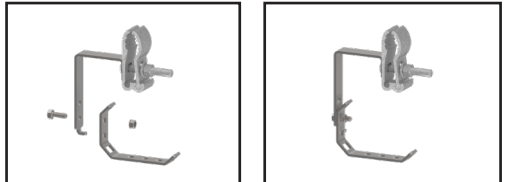
Position 1 - Strand Clamp Shown



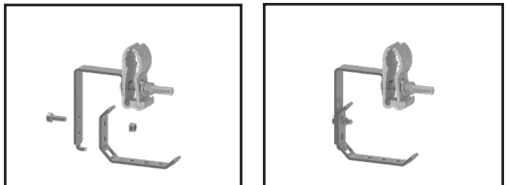
Position 2 - Strand Clamp Shown

Step #77c For Shorter Spacing.

Align the top aerial offset bracket with the bottom aerial offset bracket in either Position 1 or Position 2 as shown below and secure with the bolts and keps nuts provided.

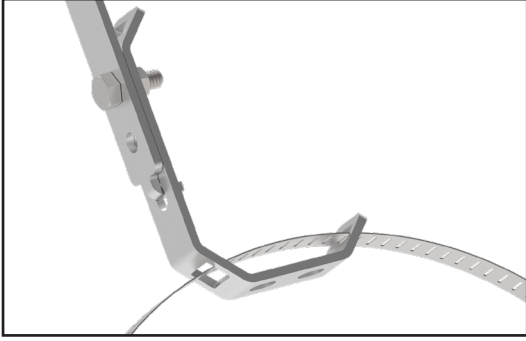


Position 1 - ADSS Clamp Shown



Position 2 - ADSS Clamp Shown

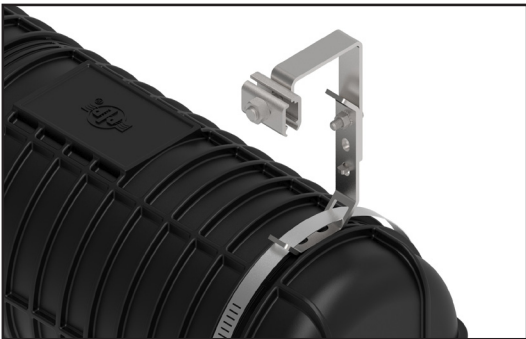
Step #78 Insert hose clamp through slots in each of the bottom aerial offset brackets.



Step #79 Tighten each hose clamp around the dome.



Step #80 Bracket installed on dome closure. Second bracket also installed on opposite end of dome.

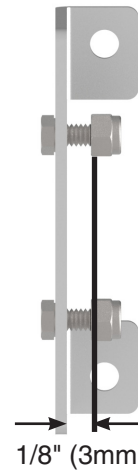
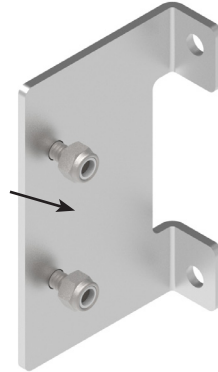


Pole/Wall Mounting Option

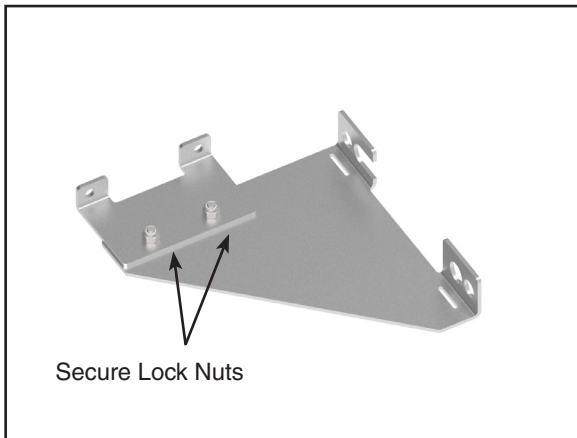
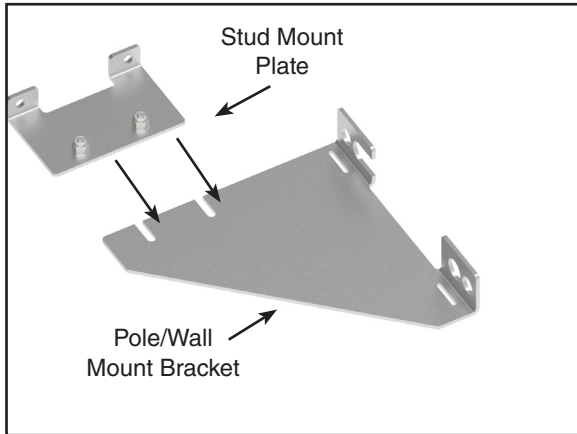
Step #81 COYOTE® 6.5" Dome Pole/Wall Mount Bracket (PLP Catalog Number: 8003702).

Position the bolts through the stud mount plate as shown, and install lock nuts on bolts until there is a 1/8" (3 mm) gap between the nut and the stud mount plate.

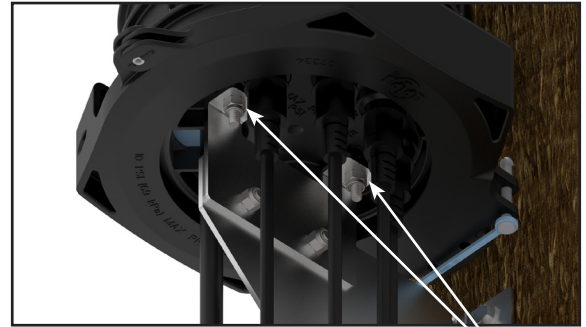
Stud Mount Plate



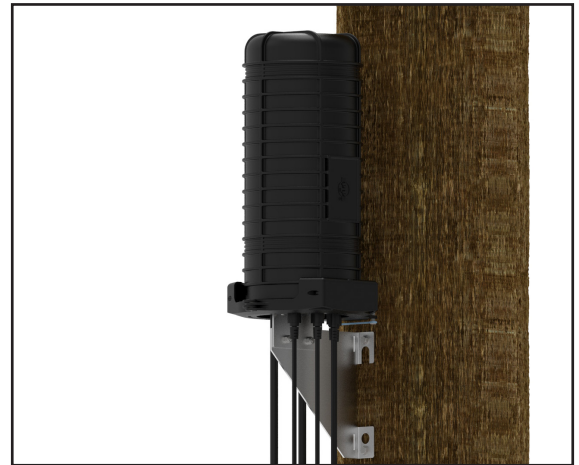
Step #82 Slide the bolts of the stud mount plate into the slots of the pole/wall mount bracket as shown and tighten the lock nuts until the plates are secure.



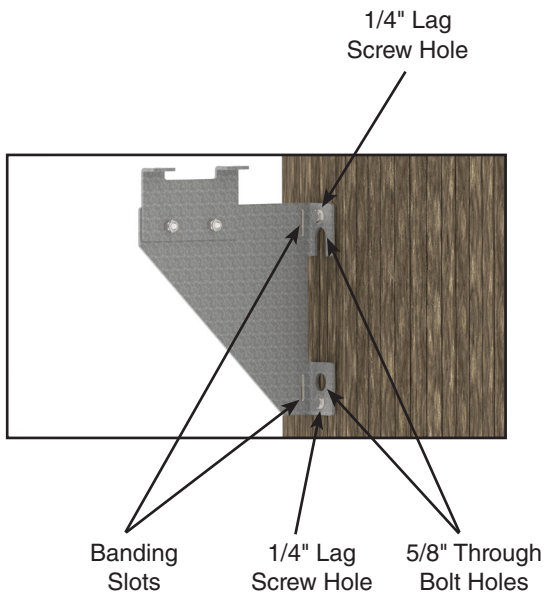
Step #84 Attach the COYOTE® Dome Terminal Closure to the pole/wall mount bracket by inserting the studs of the dome closure end plate through the stud holes of the stud mount plate and securing with the lock nuts provided.



Secure Lock Nuts



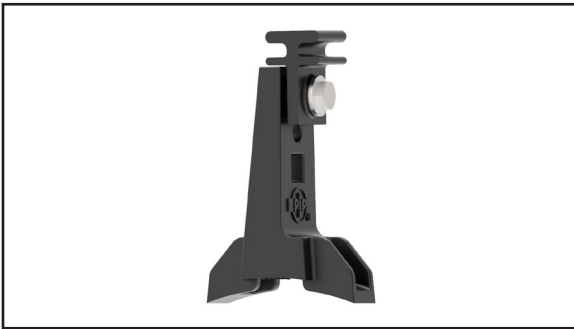
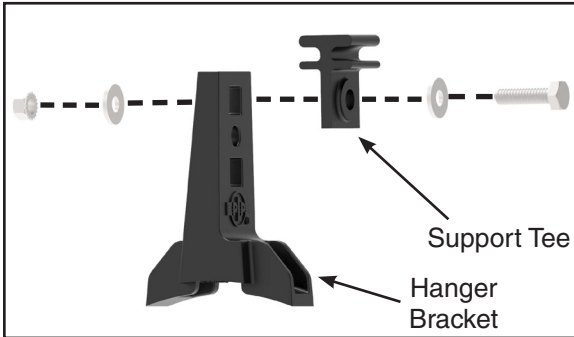
Step #83 Attach the dome pole/wall mount bracket to a pole or wall with either 5/8" through bolts, 1/4" lag screws, or banding straps.



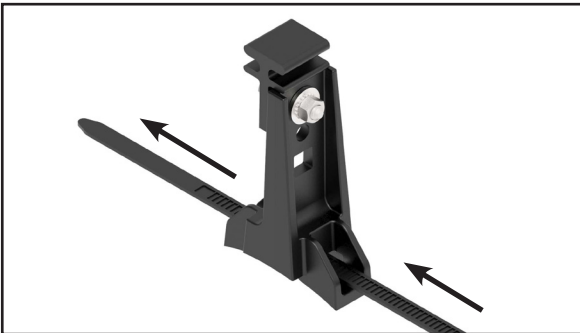
Manhole Support Bracket Option

Step #85 For COYOTE® 6.5" Dome Manhole Support Bracket (PLP Catalog Number: 8004003)

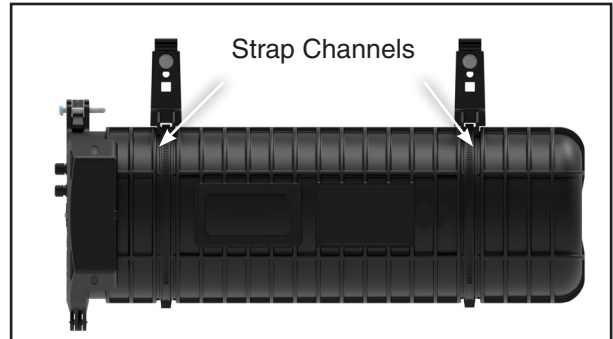
Attach a support tee to each hanger bracket using two washers, a bolt, and a nut, as shown below.



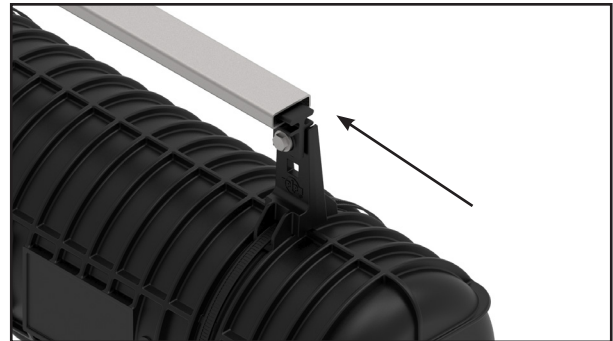
Step #86 Slide a tie wrap through each hanger bracket as shown below.



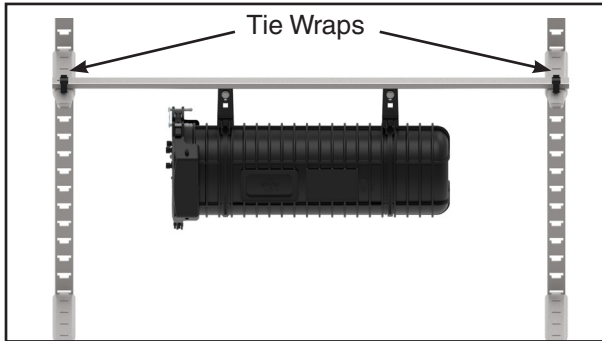
Step #87 Secure the hanger brackets to the dome with the tie wraps. Make sure the hanger brackets seat within the strap channels of the dome.



Step #88 Slide the tees of the hanger brackets within the slot of the manhole support bracket.



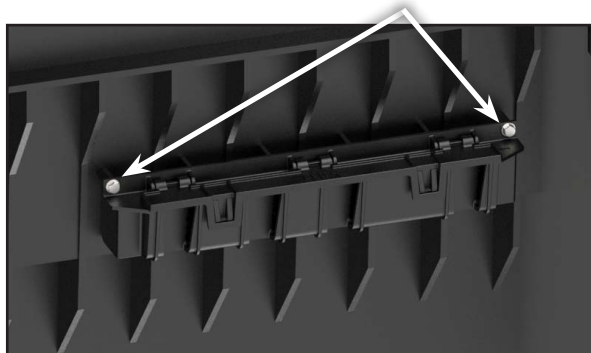
PLP TIP: The manhole support bar can then be mounted to step brackets with large stainless steel hose clamps or plastic tie wraps (Not included).



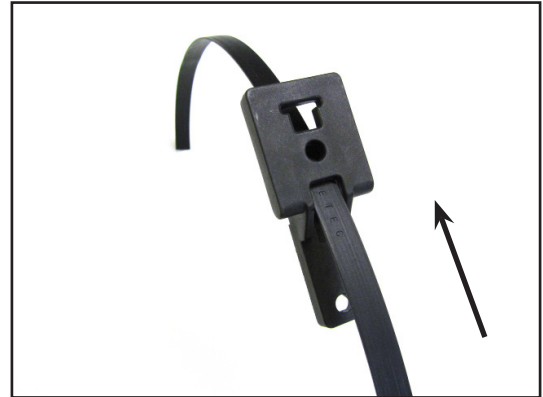
Hand Hole Mounting Option

Step #89 COYOTE® Universal Mounting Bracket for Hand Hole Applications (PLP Catalog Number: 8003835).

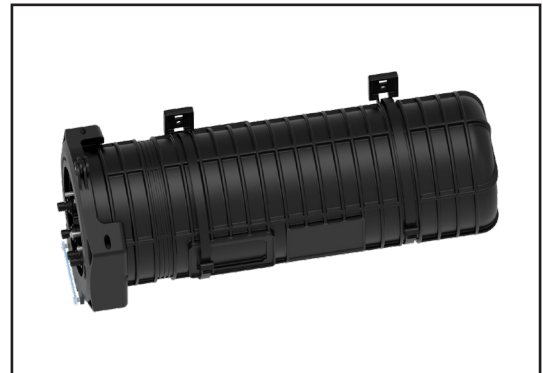
Secure the Universal Mounting Bracket to the inner wall of the hand hole using 2 screws.



Step #90 Insert banding (plastic or metal) through the slots of the hanger brackets.



Step #91 Position the brackets in the banding channels of the dome. Tighten the banding until the brackets are secure.



Step #92 Slide the hanger brackets into the proper slots of the Universal Mounting Bracket and snap the hinged lid into place to secure the hanger brackets.



SAFETY CONSIDERATIONS

This application procedure is not intended to supersede any company construction or safety standards. This procedure is offered only to illustrate safe application for the individual. **FAILURE TO FOLLOW THESE PROCEDURES MAY RESULT IN PERSONAL INJURY OR DEATH.**

Do not modify this product under any circumstances.

This product is intended for use by trained technicians only. **This product should not be used by anyone who is not familiar with, and not trained to use it.**

When working in the area of energized lines, extra care should be taken to prevent accidental electrical contact. Be sure to wear proper safety equipment per your company protocol.

For proper performance and personal safety, be sure to select the proper size PREFORMED™ product before application.

PREFORMED products are precision devices. To insure proper performance, they should be stored in cartons under cover and handled carefully.



PREFORMED LINE PRODUCTS

P.O. Box 91129, Cleveland, Ohio 44101 • 440.461.5200 • www.plp.com • e-mail: info@plp.com

SP3116-4