

COYOTE® TERMINAL DOME CLOSURE

6.5" AND 9.5"

The **COYOTE Terminal Dome Closure** offers four length options of 17", 22", 19", and 28" to support either buffer tube or ribbon fiber applications. These closures utilize PLP's patented segmented end plate design, which allows for easy installation of a variety of cable sizes in conjunction with the grommets. This segmented end plate design is ideal for supporting rural broadband networks. Each COYOTE Terminal Dome Closure contains externally mounted OptiTap® hardened adapters to support customer drop connections without entering the closure.

FEATURES AND BENEFITS

- 2 and 4-Port segmented end plate designs provide independent access to each cable port without disrupting surrounding cables
- Up to 4 and 8 OptiTap connections on the 6.5" and 9.5" end plates
- Designed to permit field installation and removal of hardened adapters
- Provided with SC/APC pigtail kits
- Flexible grommet sealing technology supports a wide range of flat and round cable profiles
- Designed and tested in accordance with Telcordia® GR-771-CORE Buried, Underground, IP-68 Rated Requirements

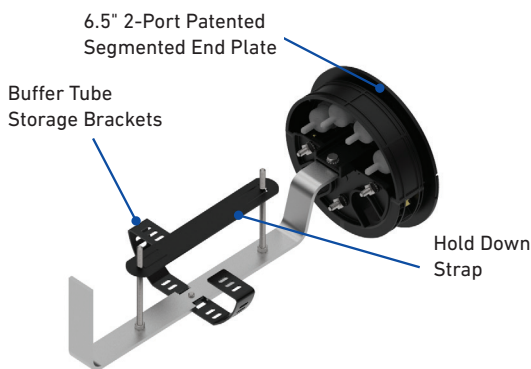
COYOTE® 6.5" X 17" AND 9.5" X 19" TERMINAL DOME CLOSURES

Specifications	6.5" x 17" Terminal Dome Closure		9.5" x 19" Terminal Dome Closure	
Catalog Number	Buffer Tube	Ribbon	Buffer Tube	Ribbon
Splice Capacity (Maximum) – Single Fusion (Low Profile, 80809958), Single Fusion (Low Profile, 80813152), Single Fusion (Deep Profile, 80808945), Ribbon (Deep Profile, LGSTR144)	144, 216, 120, N/A	96, 144, 80, 288	288, 432, 240, N/A	144, 216, 120, 432
Number of Splice Trays – 80809958, 80813152, 80808945, LGSTR144	6, 6, 3, N/A	4, 4, 2, 2	12, 12, 6, N/A	6, 6, 3, 3
Cable Ports ¹	2		4	
Cable Diameters	0.093" – 1.25" (2.4 – 31.8 mm) and Flat Drop		0.093" – 1.25" (2.4 – 31.8 mm) and Flat Drop	
Ground Studs	3		7	
Configuration	Butt		Butt	
Application	Direct Bury, Below Grade, Pole/Wall, Aerial		Direct Bury, Below Grade, Pole/Wall, Aerial	
Ingress Protection	In accordance with Telcordia® GR-771-CORE, Buried, Underground; IP-68		In accordance with Telcordia® GR-771-CORE, Buried, Underground; IP-68	
Size ²	8.6" W x 17.9" L (218 x 463 mm)		13.3" W x 20.4" L (338 x 509 mm)	

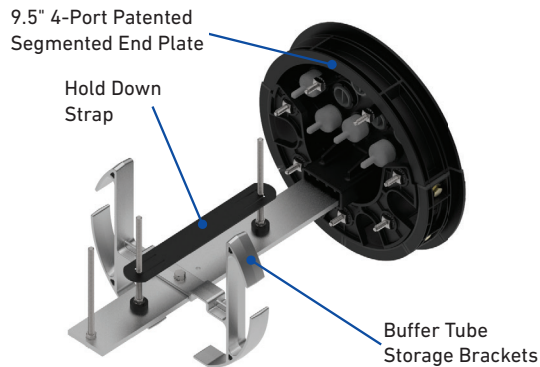
¹ Multi-hole grommets allow for more than one cable to enter each cable port.

² Outermost part of the assembly; includes the sealing collar.

ORGANIZER ASSEMBLIES



6.5" x 17" Terminal Dome Closure with 4 OptiTap® Adapters
Catalog Number: COYTD617B4-000



9.5" x 19" Terminal Dome Closure with 4 OptiTap® Adapters
Catalog Number: COYTD919B4-000

COYOTE 6.5" x 17" and 9.5" x 19" Terminal Dome Kit Contents

Catalog Number	Description
COYTD617BX ³ -000	COYOTE 6.5" x 17" Terminal Dome Closure for Buffer Tube – Includes (2) 1-Hole Grommets 0.40" – 0.60" (10.2 – 15.2 mm) and (2) 1-Hole Grommets 0.60" – 0.85" (15.2 – 21.6 mm)
COYTD617RX ³ -000	COYOTE 6.5" x 17" Terminal Dome Closure for Ribbon – Includes (2) 1-Hole Grommets 0.40" – 0.60" (10.2 – 15.2 mm), (2) 1-Hole Grommets 0.60" – 0.85" (15.2 – 21.6 mm), (1) Transition Tubing Kit, and (2) Transport Tubing Kits
COYTD919BX ³ -000	COYOTE 9.5" x 19" Terminal Dome Closure for Buffer Tube – Includes (2) 2-Hole Grommets 0.42" – 0.60" (10.7 – 15.2 mm) and (2) 1-Hole Grommets 0.60" – 0.85" (15.2 – 21.6 mm)
COYTD919RX ³ -000	COYOTE 9.5" x 19" Terminal Dome Closure for Ribbon – Includes (2) 2-Hole Grommets 0.42" – 0.60" (10.7 – 15.2 mm), (2) 1-Hole Grommets 0.60" – 0.85" (15.2 – 21.6 mm), (1) Transition Tubing Kit, and (2) Transport Tubing Kits

All kits include (1) COYOTE End Plate Organizer, (1) Dome, (1) Gasket, (1) Collar, (4) Grommets, (1) Splice Tray (Cat. No. 80808945), Pigtailed and Cable Restraint Hardware

³ Number of adapters as determined by customer.

OptiTap® is a registered trademark of Corning Cable Systems.

Telcordia® is a registered trademark of Telcordia Technologies, Inc., now part of Ericsson.

CO-CA-1004-17



COYOTE® 6.5" X 22" AND 9.5" X 28" TERMINAL DOME CLOSURE

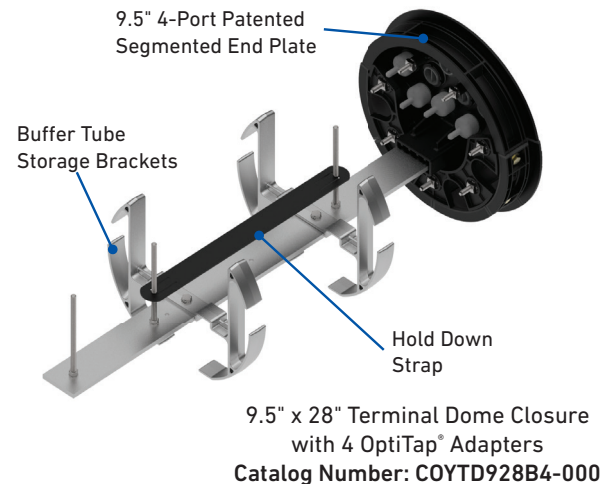
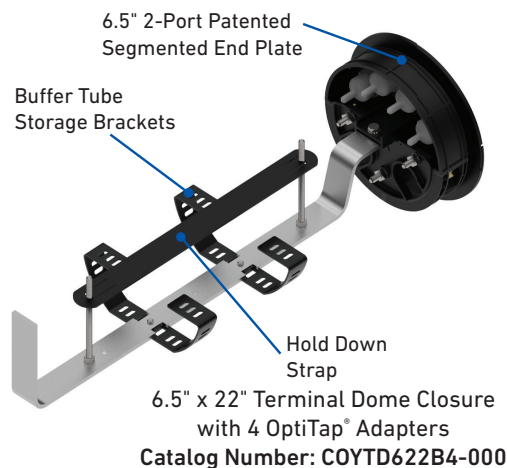
Specifications

Specifications	6.5" x 22" Terminal Dome Closure		9.5" x 28" Terminal Dome Closure	
	Buffer Tube	Ribbon	Buffer Tube	Ribbon
Splice Capacity (Maximum) – Single Fusion (Standard Profile, 80810086), Single Fusion (Deep Profile, LGSTS72), Ribbon (Deep Profile, LGSTR216)	144, 216, N/A	108, 144, 432	324, 432, N/A	180, 216, 648
Number of Splice Trays – 80810086, LGSTS72, LGSTR216	4, 3, N/A	3, 2, 2	9, 6, N/A	5, 3, 3
Cable Ports ¹	2		4	
Cable Diameters	0.093" – 1.25" (2.4 – 31.8 mm) and Flat Drop		0.093" – 1.25" (2.4 – 31.8 mm) and Flat Drop	
Ground Studs	3		7	
Configuration	Butt		Butt	
Application	Direct Bury, Below Grade, Pole/Wall, Aerial		Direct Bury, Below Grade, Pole/Wall, Aerial	
Ingress Protection	In accordance with Telcordia® GR-771-CORE, Buried, Underground; IP-68		In accordance with Telcordia® GR-771-CORE, Buried, Underground; IP-68	
Size ²	8.6" W x 22.6" L (218 x 574 mm)		13.3" W x 29.4" L (338 x 749 mm)	

¹ Multi-hole grommets allow for more than one cable to enter each cable port.

² Outermost part of the assembly; includes the sealing collar.

ORGANIZER ASSEMBLIES



COYOTE 6.5" x 22" and 9.5" x 28" Terminal Dome Kit Contents

Catalog Number	Description
COYTD622BX ³ -000	COYOTE 6.5" x 22" Terminal Dome Closure for Buffer Tube – Includes (2) 1-Hole Grommets 0.40" – 0.60" (10.2 – 15.2 mm) and (2) 1-Hole Grommets 0.60" – 0.85" (15.2 – 21.6 mm)
COYTD622RX ³ -000	COYOTE 6.5" x 22" Terminal Dome Closure for Ribbon – Includes (2) 1-Hole Grommets 0.40" – 0.60" (10.2 – 15.2 mm), (2) 1-Hole Grommets 0.60" – 0.85" (15.2 – 21.6 mm), (1) Transition Tubing Kit, and (2) Transport Tubing Kits
COYTD928BX ³ -000	COYOTE 9.5" x 28" Terminal Dome Closure for Buffer Tube – Includes (2) 2-Hole Grommets 0.42" – 0.60" (10.7 – 15.2 mm) and (2) 1-Hole Grommets 0.60" – 0.85" (15.2 – 21.6 mm)
COYTD928RX ³ -000	COYOTE 9.5" x 28" Terminal Dome Closure for Ribbon – Includes (2) 2-Hole Grommets 0.42" – 0.60" (10.7 – 15.2 mm), (2) 1-Hole Grommets 0.60" – 0.85" (15.2 – 21.6 mm), (1) Transition Tubing Kit, and (2) Transport Tubing Kits

All kits include (1) COYOTE End Plate Organizer, (1) Dome, (1) Gasket, (1) Collar, (4) Grommets, (1) Splice Tray (Cat. No. LGSTS72), Pigtailed and Cable Restraint Hardware

³Number of adapters as determined by customer.

OptiTap® is a registered trademark of Corning Cable Systems.
Telcordia® is a registered trademark of Telcordia Technologies, Inc., now part of Ericsson.

CO-CA-1004-17

ORDERING INFORMATION

COYOTE® Terminal Dome Closure Catalog Number

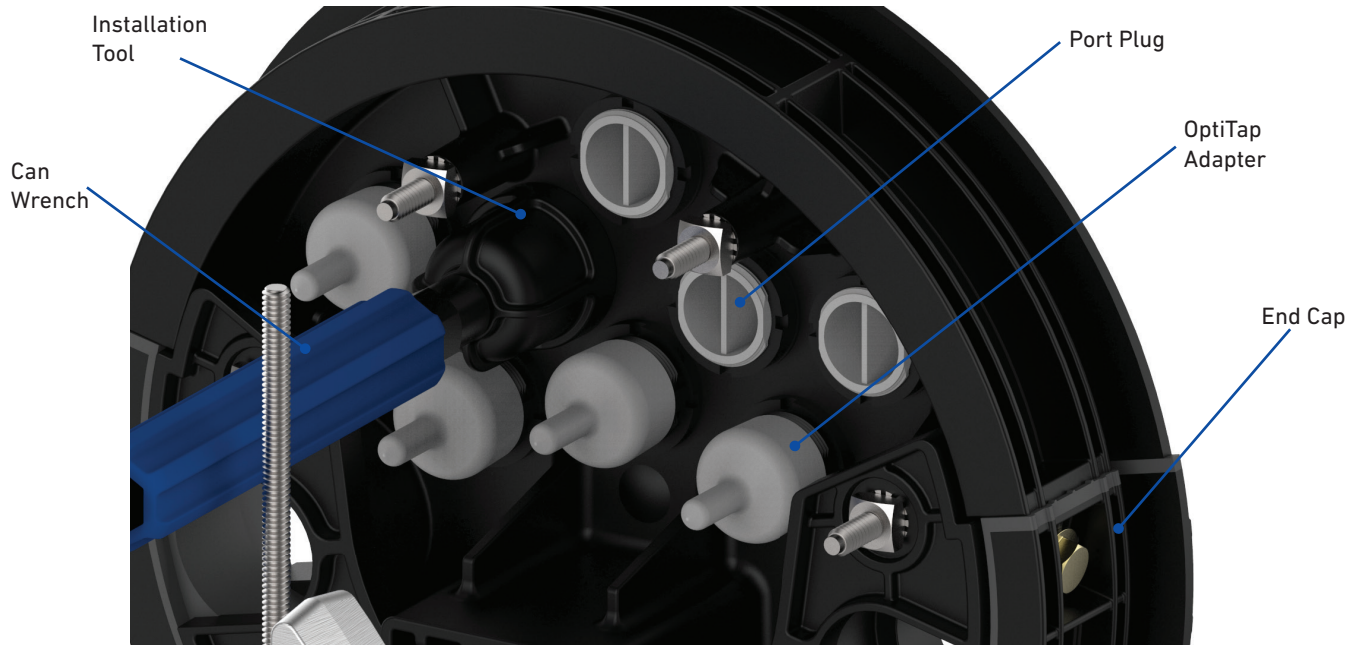
COYTD XXX X X -000
 (Section 1) (Section 2) (Section 3)

Catalog Number Example: COYTD617B2-000

Section 1		Section 2		Section 3	
Size Selection (Select 1)	Closure Size	Organizer Selection (Select 1)	Organizer Type	Adapter Quantity (Select 1)	Related Closure Size
617	6.5" x 17"	B	Buffer Tube Organizer	0, 2, 4	6.5" x 17"
622	6.5" x 22"	R	Ribbon Organizer	0, 2, 4	6.5" x 22"
919	9.5" x 19"			0, 2, 4, 6, 8	9.5" x 19"
928	9.5" x 28"			0, 2, 4, 6, 8	9.5" x 28"

ADDING OR REPLACING OPTITAP® ADAPTERS

COYOTE Terminal Domes can be ordered with any number of OptiTap adapters and plugs. Additional hardened adapters can be ordered and added as needed. Remove the existing port plug using the installation tool and a can wrench. Add an OptiTap adapter or replace a damaged adapter and retighten with the installation tool.





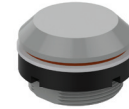
ACCESSORIES



OptiTap® Adapter



Hardened Adapter
Installation Tool



Port Plug

COYOTE® Terminal Dome Closure Accessories

Catalog Number	Description
80809958	Splice Tray, COYOTE LITE-GRIP® Short, Low Profile, 24 CT., Single Fusion
80813152	Splice Tray, COYOTE LITE-GRIP Short, Low Profile, 36 CT., Single Fusion
80808945	Splice Tray, COYOTE LITE-GRIP Short, Deep Profile, 40 CT., Single Fusion
LGSTR144	Splice Tray, COYOTE LITE-GRIP Short, Deep Profile, 144 CT., Mass Fusion
80810086	Splice Tray, COYOTE LITE-GRIP Long, Standard Profile, 36 CT., Single Fusion
LGSTS72	Splice Tray, COYOTE LITE-GRIP Long, Deep Profile, 72 CT., Single Fusion
LGSTR216	Splice Tray, COYOTE LITE-GRIP Long, Deep Profile, 216 CT., Mass Fusion
8003993	Heat Shrink Splice Protector Kit – Includes (12) 40 mm Mass Fusion
80808187	Heat Shrink Splice Protector Kit – Includes (12) 40 mm Single Fusion
8003509	Heat Shrink Splice Protector Kit – Includes (12) 60 mm Single Fusion
COYEPFIX1	End Plate Assembly Fixture for 6.5" and 9.5" Domes
80807972	Hardened Adapter Installation Tool
8003715	OptiTap® Adapter Kit – Includes (1) OptiTap Adapter and (1) Installation Tool
8004115	Bulk Pack of OptiTap Adapters – Includes (10) OptiTap Adapters
8003724	Port Plug Kit – Includes (1) Port Plug and (1) Installation Tool
8004060	Bulk Pack of Port Plugs – Includes (10) Port Plugs
80809205	Strength Member Bracket Kit – Includes (2) Short L-Brackets
80808651	Strength Member Bracket Kit – Includes (4) Long L-Brackets
80808878	Large Strength Member Adapter Kit
80811037	4-Port Cable Retention Bobbin Kit
80811036	6-Port Drop Cable Retention Bobbin Kit
80812928	6/8-Port Drop Cable Retention Bobbin Kit
80808997	End Plate Gasket for 6.5" Domes
80807332	Latching Collar for 6.5" Domes
80061477	Latching Collar and End Plate Gasket for 9.5" Domes

MOUNTING BRACKETS

COYOTE 6.5" Dome Closure Mounting Brackets

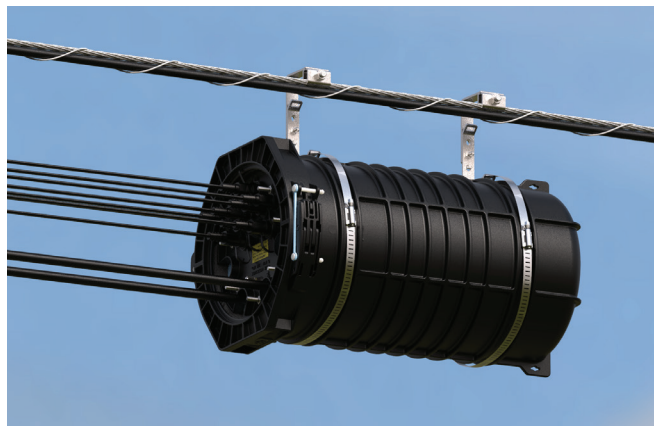
Catalog Number	Description
8003831	Aerial Mounting Bracket – Strand Applications
8004035	Aerial Adjustable Offset Mounting Bracket – Strand Applications
8003833	Aerial Mounting Bracket – ADSS Applications
8004036	Aerial Adjustable Offset Mounting Bracket – ADSS Applications
8003702	Pole/Wall Mounting Bracket
8003835	Universal Mounting Bracket Kit for Handhole Applications
8003707	Swing Arm for Handhole Applications

COYOTE 9.5" Dome Closure Mounting Brackets

Catalog Number	Description
8003940	Aerial Mounting Bracket – Strand Applications
8004037	Aerial Adjustable Offset Mounting Bracket – Strand Applications
8003869	Aerial Mounting Bracket – ADSS Applications
8004038	Aerial Adjustable Offset Mounting Bracket – ADSS Applications
8003942	Pole/Wall Mounting Bracket
8003835	Universal Mounting Bracket Kit for Handhole Applications
8003941	Aerial Mounting Bracket – End Plate Mounting Applications
8004003	Manhole Support



6.5" Dome Pole/Wall Mounting Bracket
Catalog Number: 8003702



9.5" Aerial Adjustable Offset Mounting
Bracket for Strand Applications
Catalog Number: 8004037