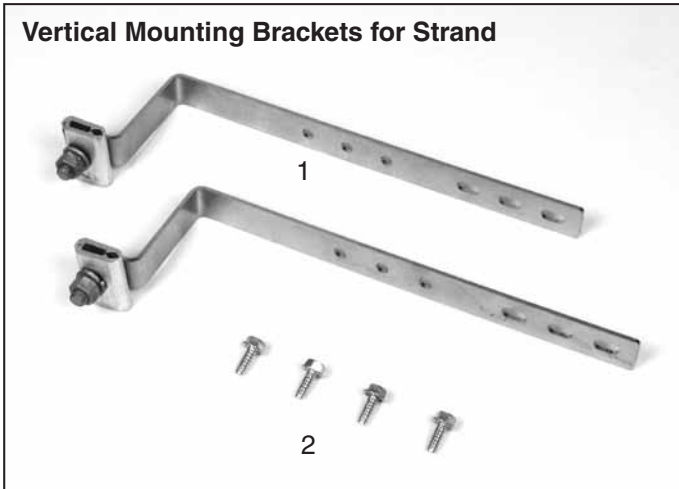




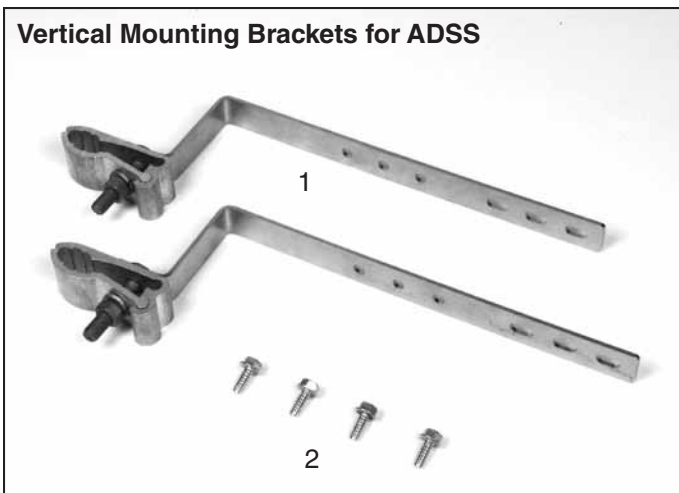
COYOTE® ONE Dome Closure Vertical Aerial Mounting Bracket

Be sure to read and completely understand this procedure before applying product. Be sure to select the proper PREFORMED product before application.



NOMENCLATURE

1. Vertical Aerial Mounting Brackets for Strand (2)
2. Self Tapping Screws (4)

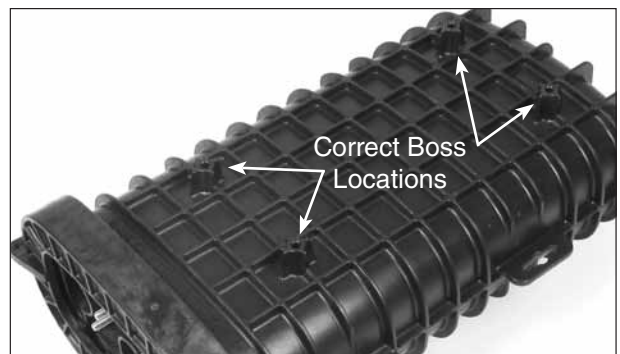


NOMENCLATURE

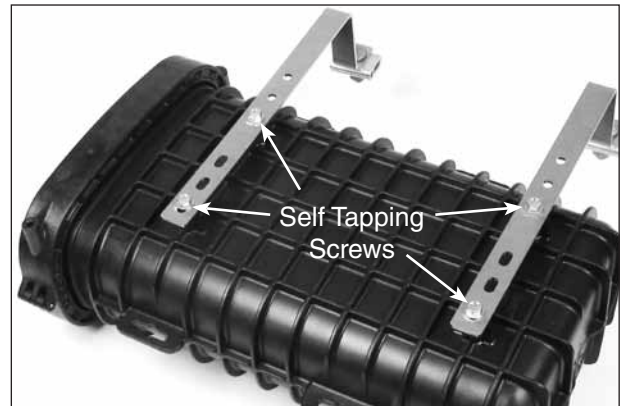
1. Vertical Aerial Mounting Brackets for ADSS (2)
2. Self Tapping Screws (4)

Base Preparation

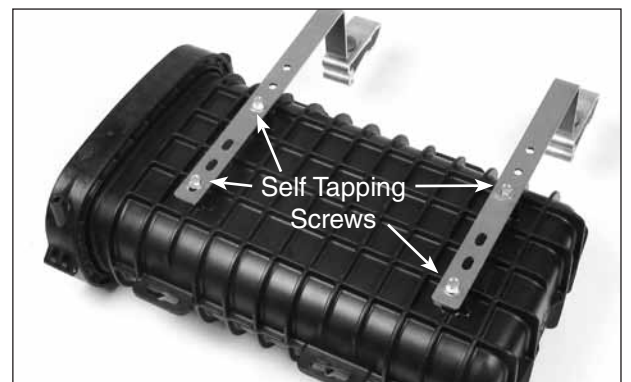
Step #1 Locate the bosses on the COYOTE ONE Dome Closure and secure the vertical mounting brackets with the self tapping screws as shown below.



Vertical Mounting Brackets for Strand

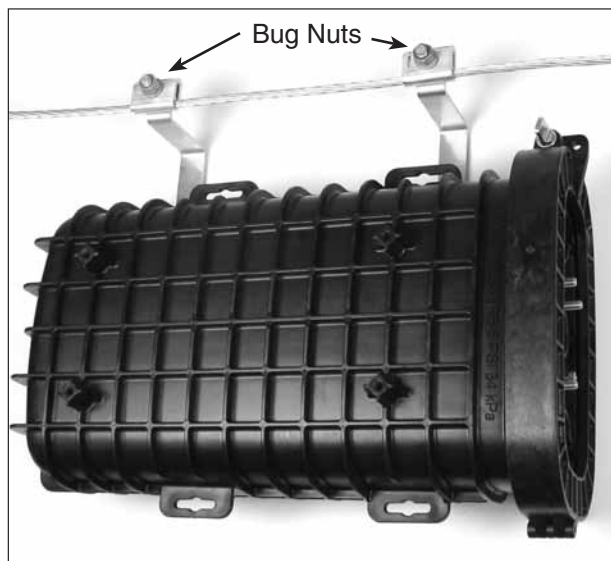


Vertical Mounting Brackets for ADSS



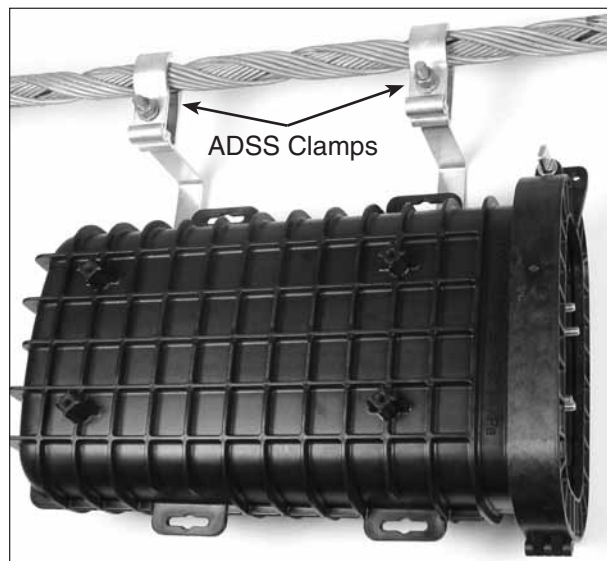
Mounting Closure to Strand

Step #2 Secure the closure to the strand with the bug nuts on the vertical mounting brackets.



Mounting Closure to ADSS

Step #3 Secure the closure to the ADSS dead-end with the ADSS Clamps on the vertical mounting brackets.



SAFETY CONSIDERATIONS

This application procedure is not intended to supersede any company construction or safety standards. This procedure is offered only to illustrate safe application for the individual.

FAILURE TO FOLLOW THESE PROCEDURES MAY RESULT IN PERSONAL INJURY OR DEATH.

Do not modify this product under any circumstances.

This product is intended for use by trained technicians only. **This product should not be used by anyone who is not familiar with, and not trained to use it.**

When working in the area of energized lines, extra care should be taken to prevent accidental electrical contact.

For proper performance and personal safety, be sure to select the proper size PREFORMED product before application.

PREFORMED products are precision devices. To insure proper performance, they should be stored in cartons under cover and handled carefully.



PREFORMED LINE PRODUCTS