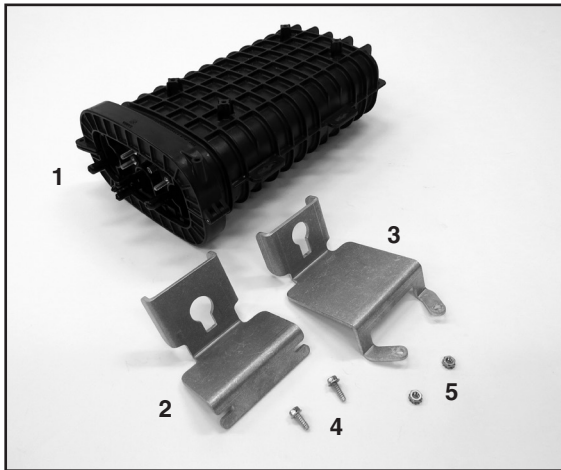




COYOTE® ONE Dome Vertical Mounting Bracket with CSI (Cable Storage Interface) for use with the FIBERLIGN® ADSS Storage Bracket

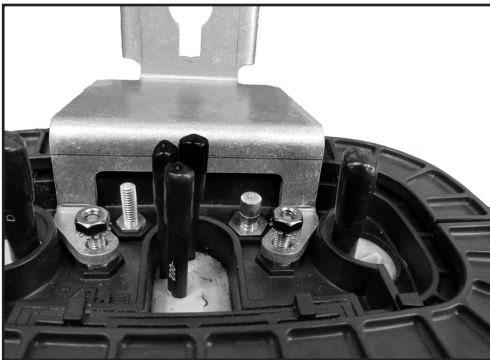
Be sure to read and completely understand this procedure before applying product.
Be sure to select the proper PREFORMED product before application.



NOMENCLATURE

- 1a. COYOTE® ONE Dome Closure (not included) (1)
- 1b. Carriage Bolts (supplied with ADSS storage bracket)
2. Dome Bracket (1)
3. End plate bracket (1)
4. Self-tapping Bolt (2)
5. KEPS® Nut* (2)

Step #1 Mount the End Plate Bracket to the end plate of the COYOTE ONE Dome closure using KEPS nuts as shown below.

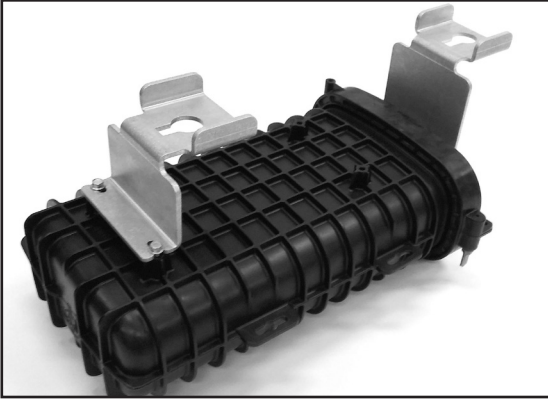


Step #2 Mount the Dome Bracket to the closure by using the raised bolt mount molded into the dome. Secure the bracket using the provided self-tapping bolts, making sure to keep the bracket spaced evenly between the bolts.

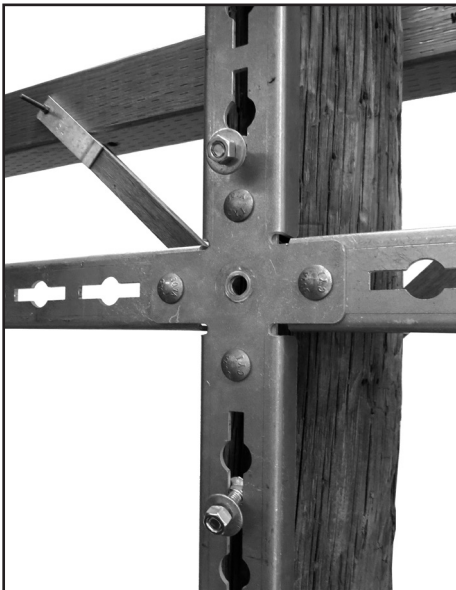


*KEPS® is a registered trademark of Illinois Tool Works Incorporated.

NOTE: Proper bracket mounting orientation is shown below.



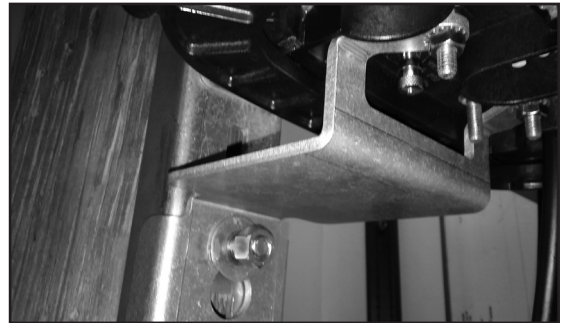
Step #3 Partially install the nuts onto the carriage bolts that are provided with the ADSS bracket and place the carriage bolts in the cable storage bracket with the nuts facing outward as shown below.



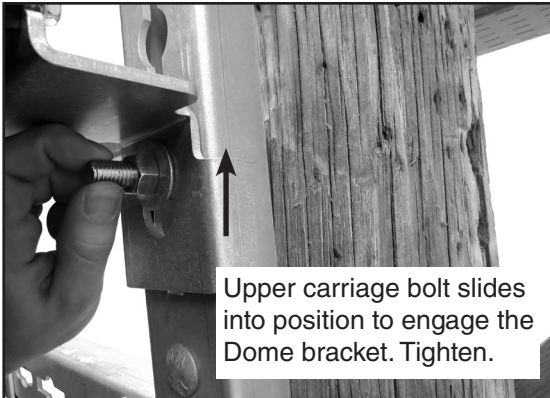
Step #4 Hang the End Plate Bracket onto the lower carriage bolt and secure the lower bolt.



Step #5 Loosely fasten the lower mounting bolt.

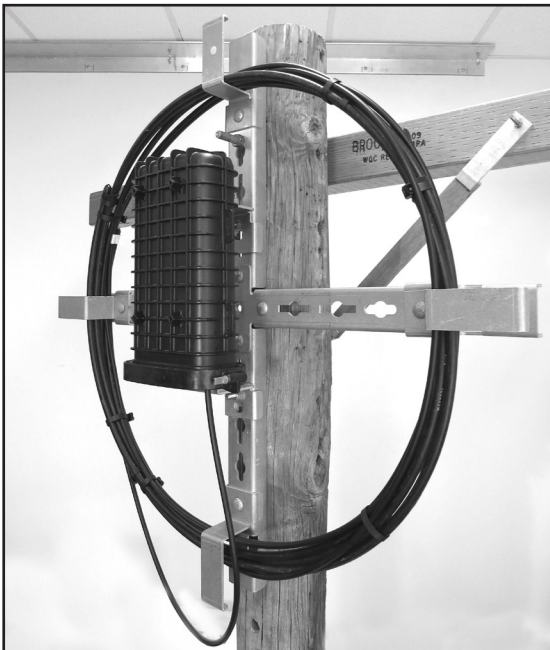


Step #6 Position the Dome Bracket in place and tighten the upper bolt. Once secure, return to the lower bolt and fully tighten.



Step #7 Ensure that the bolts are tightened.

Completed installation shown below.



SAFETY CONSIDERATIONS

This application procedure is not intended to supersede any company construction or safety standards. This procedure is offered only to illustrate safe application for the individual. **FAILURE TO FOLLOW THESE PROCEDURES MAY RESULT IN PERSONAL INJURY OR DEATH.**

Do not modify this product under any circumstances.

This product is intended for use by trained technicians only. **This product should not be used by anyone who is not familiar with, and not trained to use it.**

When working in the area of energized lines, extra care should be taken to prevent accidental electrical contact.

For proper performance and personal safety, be sure to select the proper size PREFORMED™ product before application.

PREFORMED products are precision devices. To insure proper performance, they should be stored in cartons under cover and handled carefully.



PREFORMED LINE PRODUCTS

P.O. Box 91129, Cleveland, Ohio 44101 • 440.461.5200 • www.preformed.com • e-mail: inquiries@preformed.com

SP3370