



# COYOTE® SUB-UNIT BREAKOUT CONNECTOR

## INSTALLATION INSTRUCTIONS

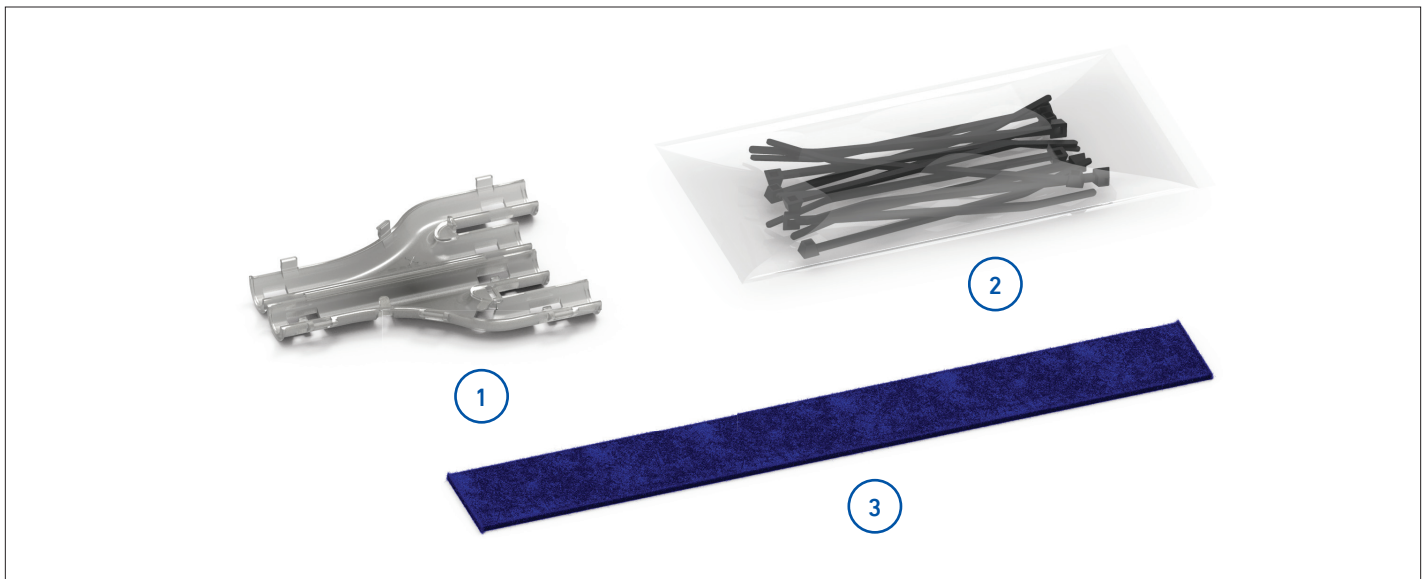


### IMPORTANT SAFETY INFORMATION

**READ AND COMPLETELY UNDERSTAND ALL INSTRUCTIONS BEFORE INSTALLING PRODUCT. FAILURE TO FOLLOW THESE INSTRUCTIONS MAY RESULT IN PERSONAL INJURY OR DEATH.**

This product is intended for use by trained technicians only. This product should not be used by anyone who is not familiar with and not trained to use it. When working in the area of energized lines, extra care should be taken to prevent accidental electrical contact. Be sure to wear proper safety equipment per your company protocol. These instructions are not intended to supersede any company construction or safety standards. These instructions are offered only to illustrate safe installation for the individual. PLP products are intended for the specified application only. Do not modify this product under any circumstances. Do not reuse or reinstall any PLP product unless that capability is expressly indicated in the product's Installation Instructions. For proper performance and personal safety, be sure to select the proper PLP product before installation. PLP products are precision devices. To ensure proper performance, they should be stored in cartons under cover and handled carefully.

### PACKAGE COMPONENTS



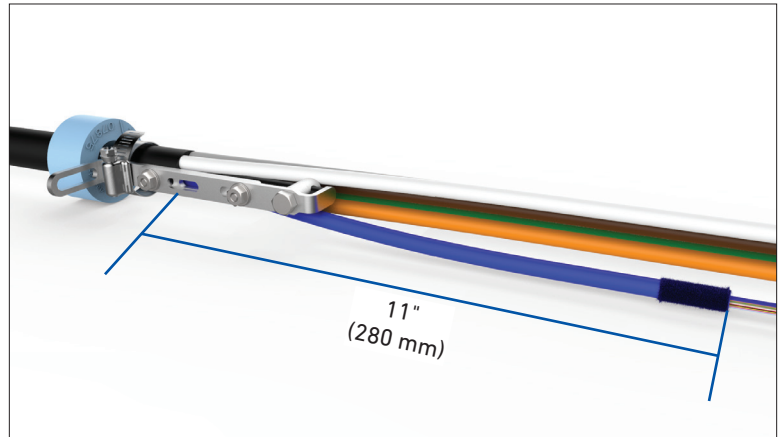
1. Sub-Unit Breakout Housing (1)
2. 12 CT. Bag of Tie Wraps (1)
3. Felt Strip (1)

#### Tools Required:

- Fiber Optic Cable Opening Tools
- Snips

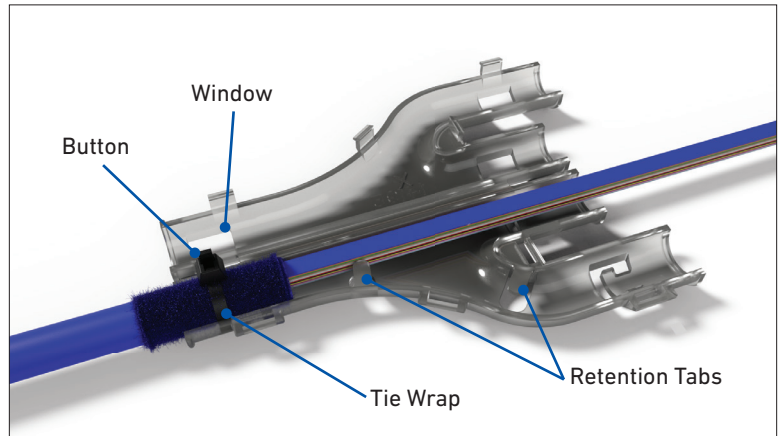
## BUFFER TUBE PREPARATION AND INSTALLATION

- 1 Remove the buffer tube 11" (280 mm) from the cable sheath opening. Wrap the end of the buffer tube with a piece of felt as shown.



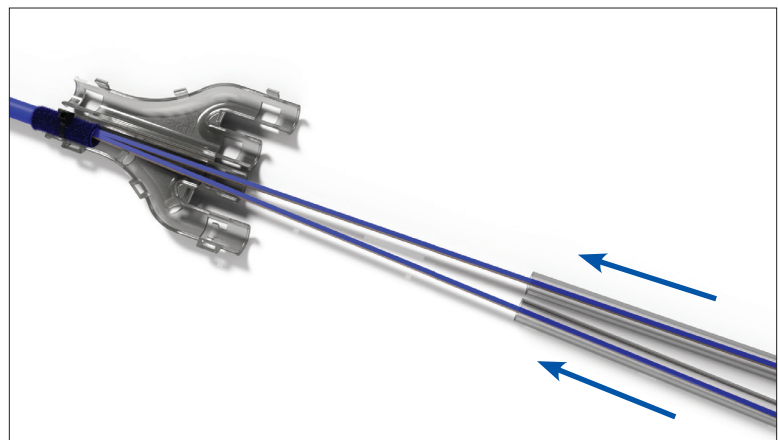
- 2 Secure the base of the sub-unit breakout housing to the buffer tube with a tie wrap. Ensure the button of the tie wrap is facing the inside of the housing base so that it will pass through the window.

**NOTE:** The base of the housing has the retention tabs.



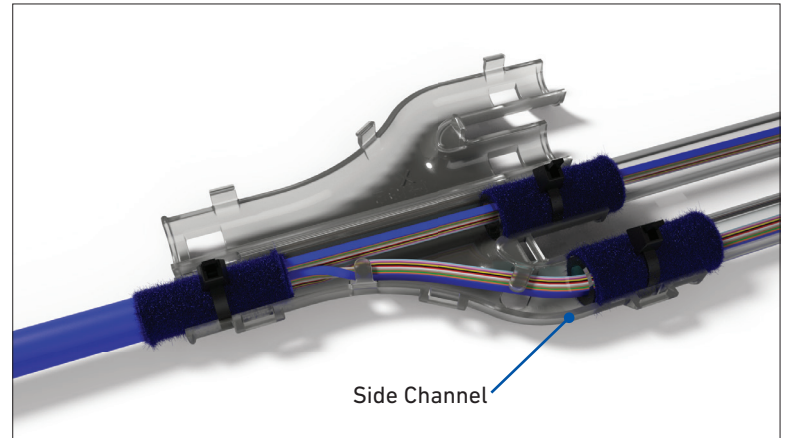
## TRANSPORT TUBE INSTALLATION

- 3 Separate the ribbon fibers into two groups and install a piece of transport tube over each group. Make sure each transport tube is long enough to route from the end of the breakout base to the designated splice tray.



4

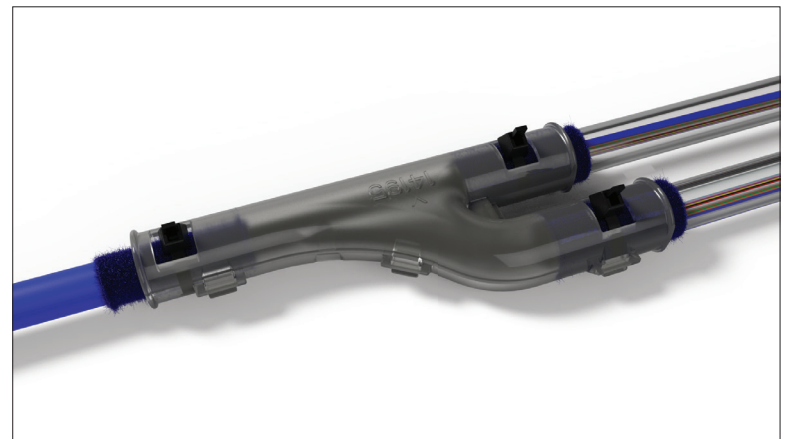
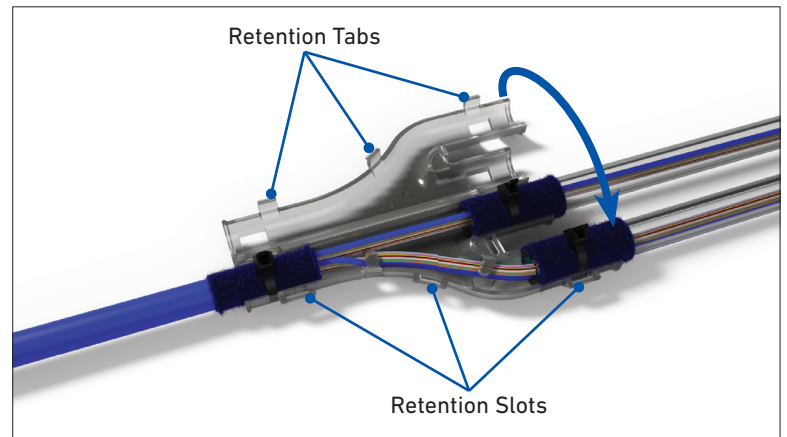
Wrap the end of each transport tube with felt and secure them in the appropriate channel of the base of the breakout housing with tie wraps. Make sure that fibers routed in the side channel are routed under the retention tabs before securing the transport tube to the base.



## ASSEMBLING SUB-UNIT BREAKOUT HOUSING

5

Fold the cover of the breakout housing over until the retention tabs of the cover are secured in the retention slots of the base.



## APPENDIX A

### COYOTE Sub-Unit Breakout Connector Kit and Accessories

Catalog Number	Description
80061761	COYOTE Sub-Unit Breakout Connector Kit – Includes (1) Breakout Connector Housing, (1) 12 CT. Bag of Tie Wraps, and (1) Felt Strip
80812618	Tubing Kit – Includes (4) 0.25" ID x 25" Long Tubes
80813227	Tubing Kit – Includes (6) 0.25" ID x 36" Long Tubes
80807991	100' Roll of 0.25" ID Tubing
80812881	100' Roll of 0.50" ID Spiral Wrap Tubing
8004231	200' Spool of Split Braided Wrap, 1/4" Diameter, White
8004232	200' Spool of Split Braided Wrap, 1/4" Diameter, Black
8004174	100' Spool of Split Braided Wrap, 3/8" Diameter, Blue
8004175	100' Spool of Split Braided Wrap, 3/8" Diameter, Orange
8004176	100' Spool of Split Braided Wrap, 3/8" Diameter, Green
8004177	100' Spool of Split Braided Wrap, 3/8" Diameter, Brown
8004178	100' Spool of Split Braided Wrap, 3/8" Diameter, Slate
8004167	100' Spool of Split Braided Wrap, 3/8" Diameter, White
8004168	100' Spool of Split Braided Wrap, 3/8" Diameter, Black
80813518	Wire Loom Insertion Tool for Split Braid Wrap
8004154	125' Spool of Braided Expandable Sleeving, 3/8" Diameter, Blue
8004155	125' Spool of Braided Expandable Sleeving, 3/8" Diameter, Orange
8004156	125' Spool of Braided Expandable Sleeving, 3/8" Diameter, Green
8004157	125' Spool of Braided Expandable Sleeving, 3/8" Diameter, Brown
8004158	125' Spool of Braided Expandable Sleeving, 3/8" Diameter, Slate
8004159	125' Spool of Braided Expandable Sleeving, 3/8" Diameter, White
8004206	125' Spool of Braided Expandable Sleeving, 3/8" Diameter, Red
8004207	125' Spool of Braided Expandable Sleeving, 3/8" Diameter, Black
8004044	125' Spool of Braided Expandable Sleeving, 3/8" Diameter, Yellow
8004208	125' Spool of Braided Expandable Sleeving, 3/8" Diameter, Violet
8004209	125' Spool of Braided Expandable Sleeving, 3/8" Diameter, Rose
8004210	125' Spool of Braided Expandable Sleeving, 3/8" Diameter, Aqua
80813680	Braided Expandable Sleeving Kit – Includes (6) 125' Spools of Braided Expandable Sleeving: Blue, Orange, Green, Brown, Slate, and White
80813928	Braided Expandable Sleeving Kit – Includes (6) 125' Spools of Braided Expandable Sleeving: Red, Black, Yellow, Violet, Rose, and Aqua
80813929	Braided Expandable Sleeving Kit – Includes (12) 125' Spools of Braided Expandable Sleeving: Blue, Orange, Green, Brown, Slate, White, Red, Black, Yellow, Violet, Rose, and Aqua
8003490	Felt Tape Kit – Includes (6) Felt Strips
80805820	Tie Wrap Kit – Includes (12) Tie Wraps



**GLOBAL HEADQUARTERS**  
 660 BETA DRIVE  
 CLEVELAND, OH 44143

+1 440 461 5200  
 PLP.COM  
 INFO@PLP.COM