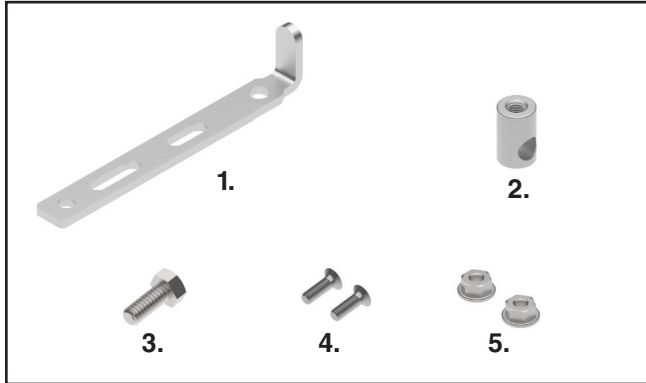




# COYOTE® Retention Adapter Bracket for Large Strength Members

Be sure to read and completely understand this procedure before applying product. Be sure to select the proper PREFORMED™ product before application.



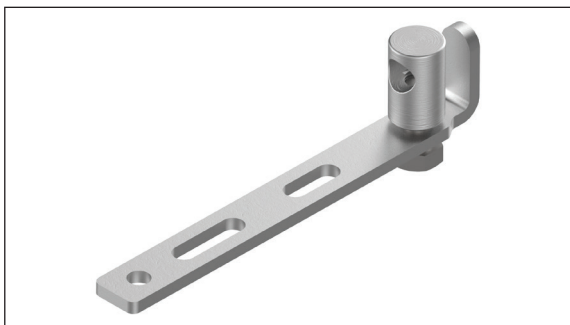
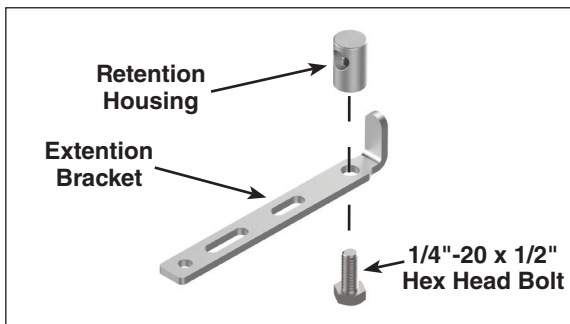
Catalog Number: 80813361

### NOMENCLATURE

- 1. Extension Bracket (2)
- 2. Strength Member Retention Housing (2)
- 3. 1/4"-20 x 1/2" Hex Head Bolt (2)
- 4. #8-32 x 1/2" Flat Head Screws (4)
- 5. #8-32 Flange Nuts (4)

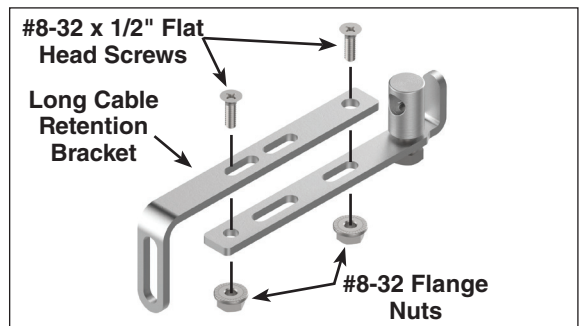
## Extention Bracket Preparation

**Step #1** Attach the strength member retention housing loosely to the extention bracket with the 1/4"-20 x 1/2" hex head bolt.

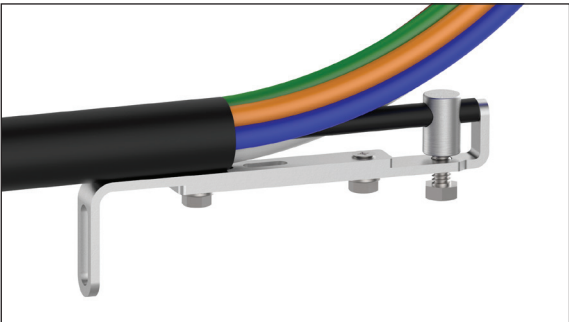
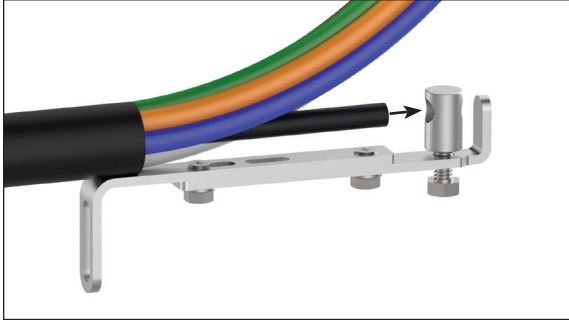


## Long Cable Retention Bracket Preparation for Dielectric Cables

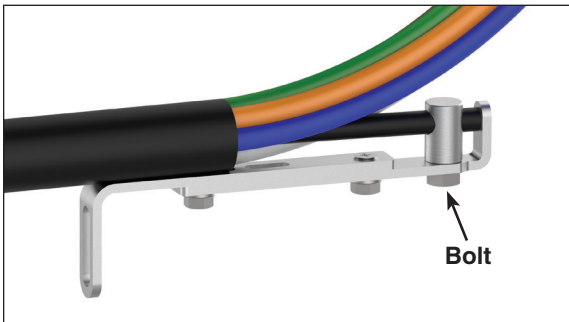
**Step #2** Attach the long cable retention bracket (not included) to the extension bracket with the #8-32 x 1/2" flat head screws and #8-32 flange nuts as shown below.



**Step #3** Insert the strength member of the cable through the retention housing until it is resting against the leg of the extension bracket.



**Step #4** Secure the strength member in the retention housing by tightening the bolt.

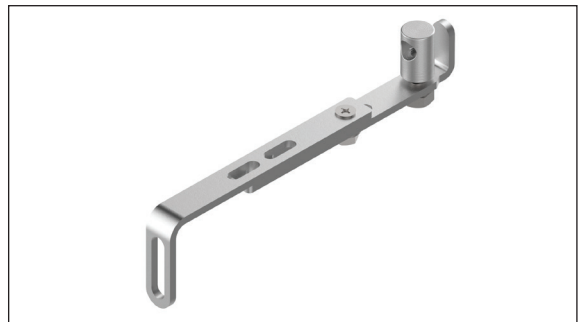
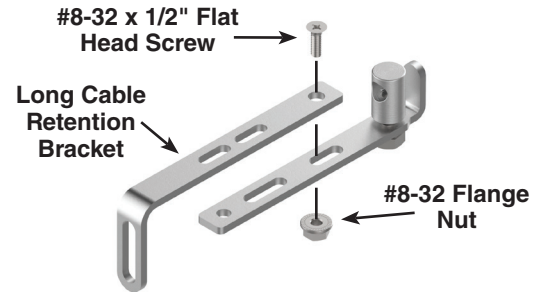


**Step #5** Secure the cable to the bracket assembly with the hose clamp.

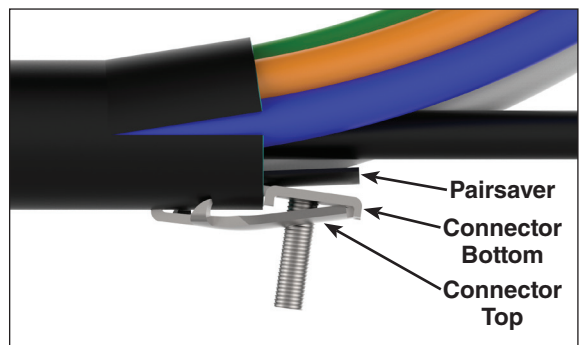


## Long Cable Retention Bracket Preparation for Armored Cables

**Step #6** Attach the long cable retention bracket (not included) to the extension bracket with the #8-32 x 1/2" flat head screw and #8-32 flange nut as shown below.



**Step #7** Install the shield connector onto the cable as shown below. **NOTE: PLP recommends using a 3M 4460-D/FO Fiber Optic Shield Connector (Cat. #:80803989) for shielded cable applications.**

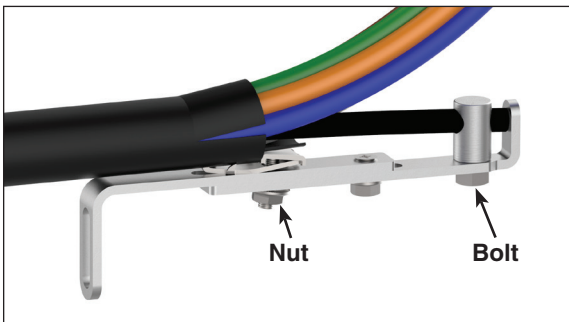


Follow your standard company practices when applying the shield connector to the cable.

**Step #8** Insert the strength member of the cable through the retention housing until it is resting against the leg of the extension bracket.



**Step #9** Secure the strength member in the retention housing by tightening the bolt. Secure the shield connector to the bracket assembly with the nut provided with the shield connector.



**Step #10** Secure the cable to the bracket assembly with the hose clamp.



## SAFETY CONSIDERATIONS

This application procedure is not intended to supersede any company construction or safety standards. This procedure is offered only to illustrate safe application for the individual. **FAILURE TO FOLLOW THESE PROCEDURES MAY RESULT IN PERSONAL INJURY OR DEATH.**

**Do not modify this product under any circumstances.**

This product is intended for use by trained technicians only. **This product should not be used by anyone who is not familiar with, and not trained to use it.**

When working in the area of energized lines, extra care should be taken to prevent accidental electrical contact. Be sure to wear proper safety equipment per your company protocol.

For proper performance and personal safety, be sure to select the proper size PREFORMED™ product before application.

PREFORMED products are precision devices. To ensure proper performance, they should be stored in cartons under cover and handled carefully.



# PREFORMED LINE PRODUCTS

P.O. Box 91129, Cleveland, Ohio 44101 • 440.461.5200 • [preformed.com](http://preformed.com) • email: [inquiries@preformed.com](mailto:inquiries@preformed.com)  
**SP3487**