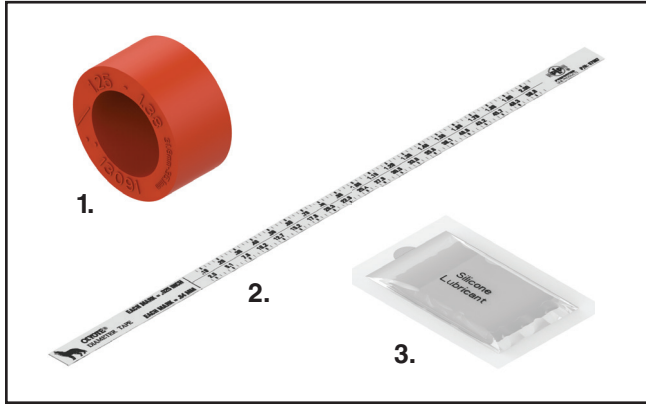




COYOTE® 1 Hole Grommet for Cable Range 1.25" -1.38" (32mm-35mm)

[For use only in the COYOTE Dome Closure 9.5" x 28" for High Density Applications – Cat. No. 80061408 or 80061409 or Specified Manufacturing Special (MS) Numbers]

Be sure to read and completely understand this procedure before applying product. Be sure to select the proper PREFORMED™ product before application.



NOMENCLATURE

- 1. 1 Hole Grommet (1.25" – 1.38" Cable Range)
- 2. Cable Measurement Tape (1)
- 3. Silicone Lubricant Packet (1)

COYOTE Grommet Chart For use in the COYOTE Dome Closure 9.5" x 28" for High Density Splice Applications ONLY				
PLP Catalog Number	Qty.	Cable Range Inches (mm)	Description	Slitting Location
8004145	1	1.25" - 1.38" (32 - 35 mm)	1-entry grommet	
8004147	2			

Cable Preparation

Step #1 Measure the cable to determine the diameter and hole location to use in the grommet.

Step #2 If using cut cable, insert the cable through the grommet. If your application requires express/balloon/ring cut cables, see Step 3 for the grommet slitting procedure.

Step #3 Grommet Slitting – If slitting is required, lay the grommet on a stable flat surface. Position the utility knife with the cutting edge against the top surface and cut through the grommet. **Consult the grommet chart to the left for the slitting locations of all grommets.**

PLP Tip: Use a pen to sketch the slitting lines on the top surface of grommet prior to cutting.

Not Correct Slitting Angle **Correct Slitting Angle**

Grommet Installation

Step #4 Determine which cable port(s) will be used and breakout the tab(s) of the end plate.

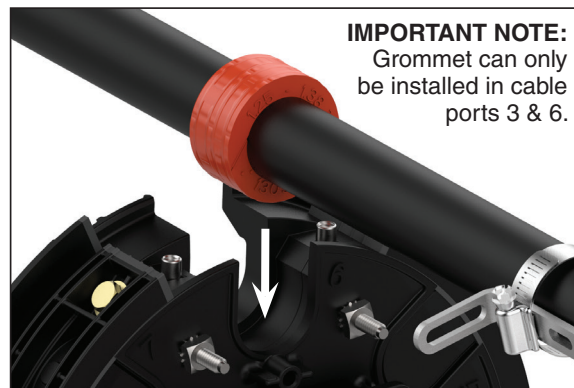
NOTE: The grommet can only be used in cable ports 3 & 6 of the 7 port end plate of the COYOTE® Dome Closure 9.5" x 28" for High Density Applications (Cat. No. 80061408 or Cat. No. 80061409).



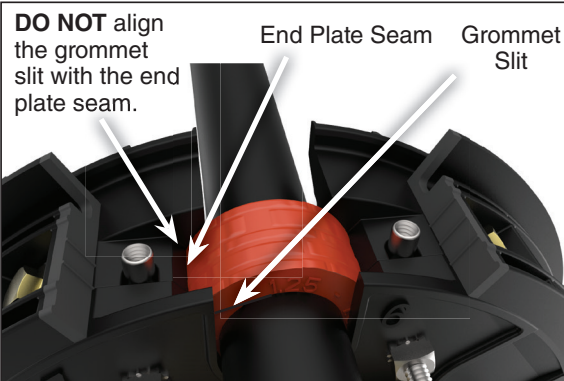
Step #5 Lubricate the sealing surface of the grommet with the silicone lubricant that is provided.



Step #6 Position the grommets in the end plate slots.



IMPORTANT NOTE:
Grommet can only be installed in cable ports 3 & 6.



DO NOT align the grommet slit with the end plate seam.

End Plate Seam

Grommet Slit

SAFETY CONSIDERATIONS

This application procedure is not intended to supersede any company construction or safety standards. This procedure is offered only to illustrate safe application for the individual. **FAILURE TO FOLLOW THESE PROCEDURES MAY RESULT IN PERSONAL INJURY OR DEATH.**

Do not modify this product under any circumstances.

This product is intended for use by trained technicians only. **This product should not be used by anyone who is not familiar with, and not trained to use it.**

When working in the area of energized lines, extra care should be taken to prevent accidental electrical contact.

For proper performance and personal safety, be sure to select the proper size PREFORMED™ product before application.

PREFORMED products are precision devices. To insure proper performance, they should be stored in cartons under cover and handled carefully.



PREFORMED LINE PRODUCTS

P.O. Box 91129, Cleveland, Ohio 44101 • 440.461.5200 • www.preformed.com • e-mail: inquiries@preformed.com