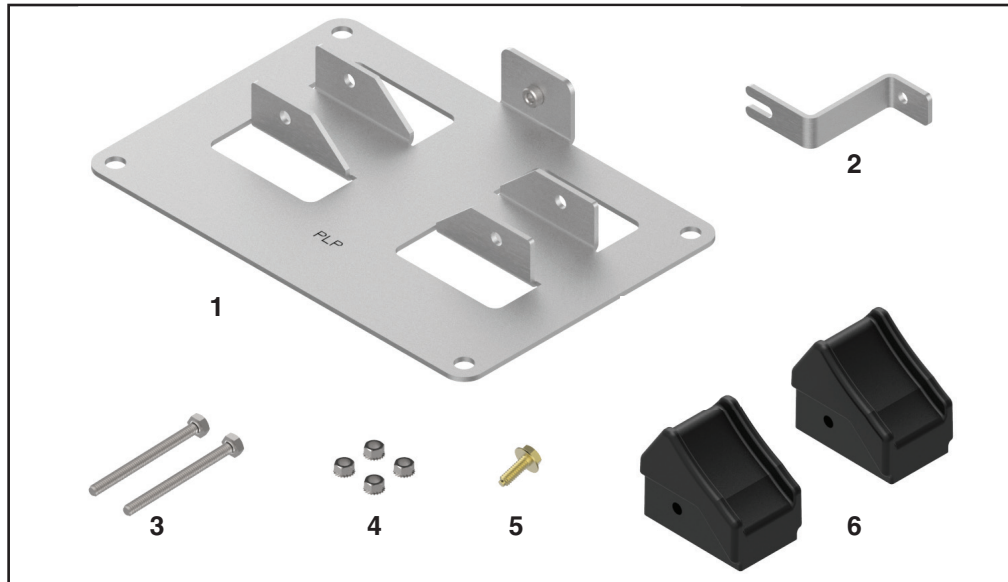




## COYOTE® Dome End Plate Fixture

Be sure to read and completely understand this procedure before applying product. Be sure to select the proper PREFORMED™ product before application.



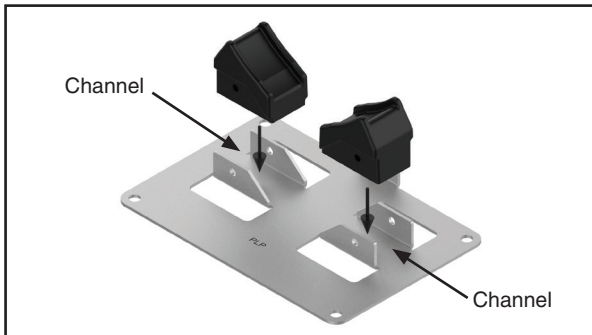
### NOMENCLATURE

- |                                    |                                   |
|------------------------------------|-----------------------------------|
| 1. End Plate Fixture Base (1)      | 4. 1/4"-20 Keps Nuts (4)          |
| 2. End Plate Fixture Bracket (1)   | 5. Hex Washer Head Cap Screw (1)  |
| 3. 1/4"-20 x 3" Hex Head Bolts (2) | 6. End Plate Fixture Grommets (2) |

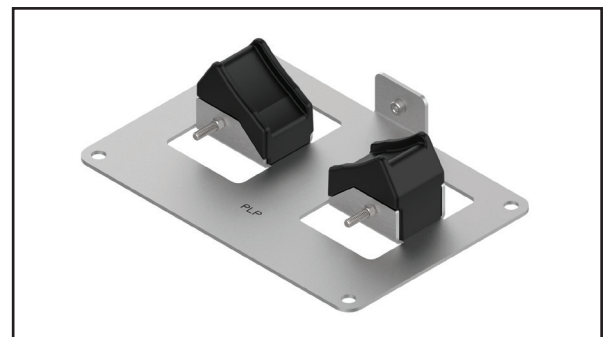
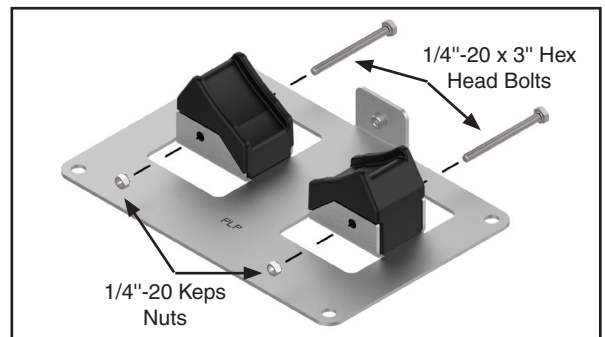
### TOOLS REQUIRED

- 3/8" & 7/16" Can wrench or socket wrench

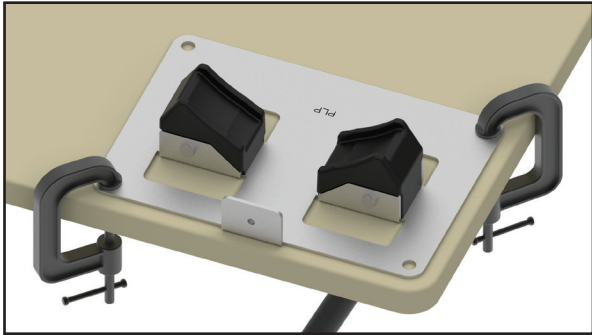
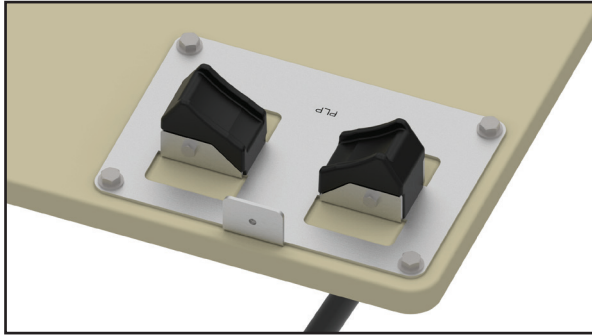
**Step #1** Insert the grommets into the channels of the end plate fixture base.



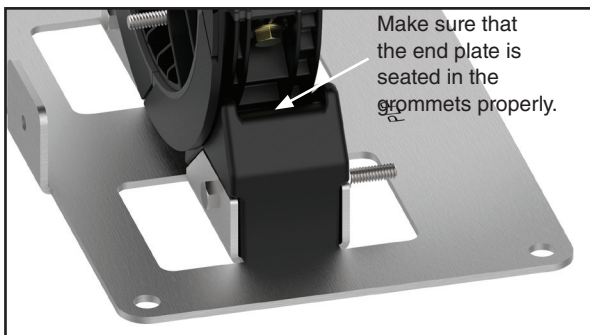
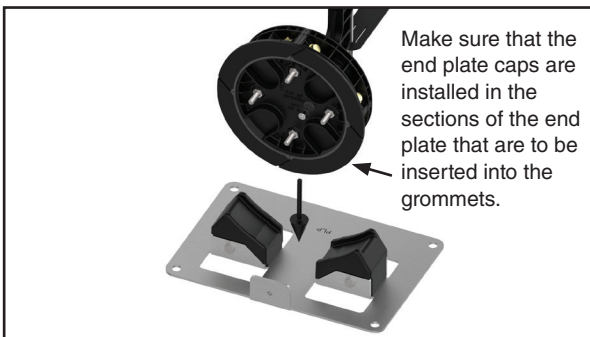
**Step #2** Secure each grommet in the channel with a 1/4"-20 x 3" hex head bolt and a 1/4"-20 keps nut as shown below.



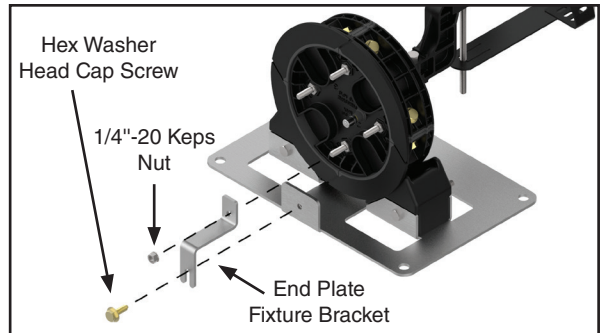
**Optional Step** Secure the end plate fixture base to a work surface with either bolts or clamps.



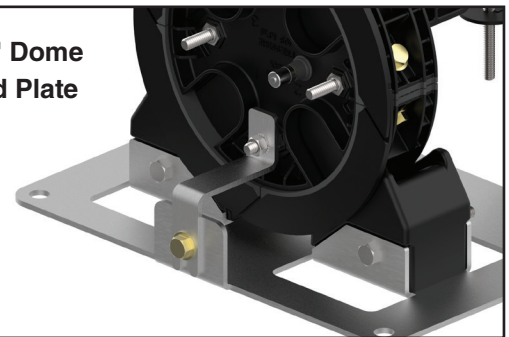
**Step #3** Insert the end plate into the end plate fixture grommets.



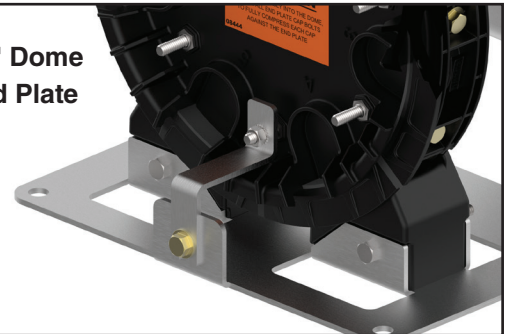
**Step #4** Install the end plate fixture bracket onto the ground stud of the end plate and secure it with a 1/4"-20 keps nut. Secure the bracket to the end plate fixture base with the hex washer head cap screw.



**6.5" Dome End Plate**



**9.5" Dome End Plate**





## SAFETY CONSIDERATIONS

This application procedure is not intended to supersede any company construction or safety standards. This procedure is offered only to illustrate safe application for the individual. **FAILURE TO FOLLOW THESE PROCEDURES MAY RESULT IN PERSONAL INJURY OR DEATH.**

**Do not modify this product under any circumstances.**

This product is intended for use by trained technicians only. **This product should not be used by anyone who is not familiar with, and not trained to use it.**

When working in the area of energized lines, extra care should be taken to prevent accidental electrical contact.

For proper performance and personal safety, be sure to select the proper size PREFORMED™ product before application.

PREFORMED products are precision devices. To insure proper performance, they should be stored in cartons under cover and handled carefully.



# PREFORMED LINE PRODUCTS