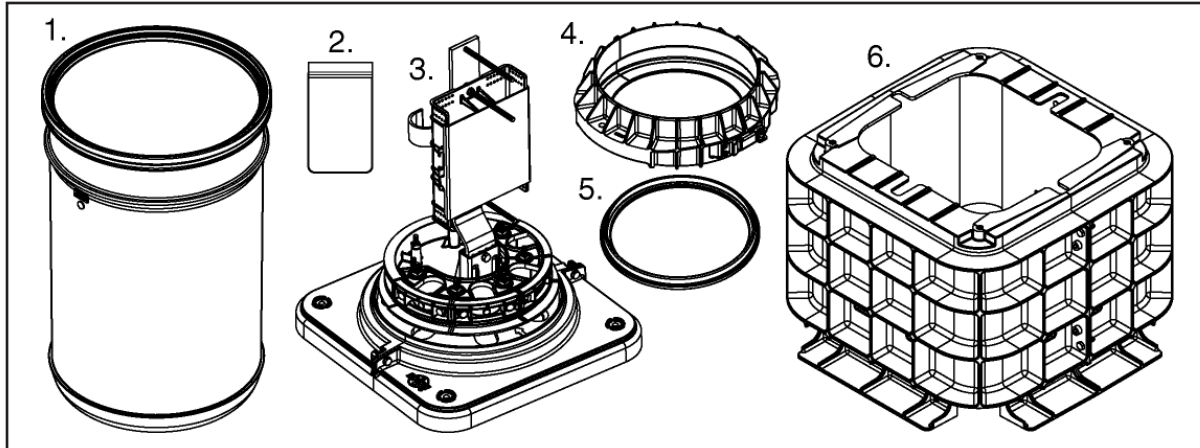




# COYOTE® GLC (Ground Level Closure) Complete Assembly Installation

Be sure to read and completely understand this procedure before applying product. Be sure to select the proper PREFORMED product before application.



### NOMENCLATURE

- 1. Dome (1)
- 2. Small Parts Bag (1)
- 3. Organizer and End Plate with Platform (1)

- 4. Collar Assembly (1)
- 5. End Plate Gasket (1)
- 6. Base (1)

### TOOLS REQUIRED

- Can Wrench
- Side Cutters
- Snips
- Pliers
- Cable Ties
- Sledge Hammer
- Fiber Optic Opening Tools
- Screw Driver
- Mallet
- Shovel

COYOTE GLC Base with Flat Cover Kit		
Catalog No.	GLC Brochure Reference Code	Description
COYGLC-C1-000	C1	COYOTE GLC Base with Flat Cover
COYOTE GLC Dome Assembly with Platform Kits		
COYGLC-F1-000	C2 with F1	COYOTE GLC Dome Assembly with Universal Organizer (Buffer and Ribbon). Includes: (1) Platform, (1) Universal Organizer with Endplate, (1) Dome, (1) Dome Collar, (1) Small Parts Bag, (1) Transition Tube Kit, (1) Gasket, and (4) Grommets - (2) 8003663, (1) 8003664 and (1) 8003665
COYGLC-F2-000	C2 with F2	COYOTE GLC Dome Assembly with Buffer Tube Organizer for Increased Tray & Storage Capacity (Buffer Tube Only). Includes: (1) Platform, (1) Buffer Tube Organizer for Increased Tray & Storage Capacity with Endplate, (1) Dome, (1) Dome Collar, (1) Small Parts Bag, (1) Gasket, and (4) Grommets - (2) 8003663, (1) 8003664 and (1) 8003665
COYGLC-F3-000	C2 with F3	COYOTE GLC Dome Assembly with Cross-Connect Organizer EMPTY (Buffer and Ribbon). Includes: (1) Platform, (1) Cross-Connect Organizer with Endplate, (1) Dome, (1) Dome Collar, (1) Small Parts Bag, (1) Transition Tube Kit, (1) Gasket, and (4) Grommets - (2) 8003663, (1) 8003664 and (1) 8003665
COYGLC-F4-000	C2 with F4	COYOTE GLC Dome Assembly with OptiTap™ Organizer EMPTY (Buffer and Ribbon). Includes: (1) Base, (1) Platform, (1) OptiTap Organizer with Endplate, (1) Dome, (1) Dome Collar, (1) Small Parts Bag, (1) Transition Tube Kit, (1) Gasket, and (4) Grommets - (2) 8003663, (1) 8003664 and (1) 8003665

### COYOTE GLC Full Assembly Kits

<b>COYGLC-F1B-000</b>	<b>C3 with F1</b>	<b>COYOTE GLC with Universal Organizer (Buffer and Ribbon).</b> Includes: (1) Base, (1) Platform, (1) Universal Organizer with Endplate, (1) Dome, (1) Dome Collar, (1) Small Parts Bag, (1) Transition Tube Kit, (1) Gasket, and (4) Grommets - (2) 8003663, (1) 8003664 and (1) 8003665
<b>COYGLC-F2B-000</b>	<b>C3 with F2</b>	<b>COYOTE GLC with Buffer Tube Organizer for Increased Tray &amp; Storage Capacity (Buffer Tube Only).</b> Includes: (1) Base, (1) Platform, (1) Buffer Tube Organizer for Increased Tray & Storage Capacity with Endplate, (1) Dome, (1) Dome Collar, (1) Small Parts Bag, (1) Gasket, and (4) Grommets - (2) 8003663, (1) 8003664 and (1) 8003665
<b>COYGLC-F3B-000</b>	<b>C3 with F3</b>	<b>COYOTE GLC with Cross-Connect Organizer EMPTY (Buffer and Ribbon).</b> Includes: (1) Base, (1) Platform, (1) Cross-Connect Organizer with Endplate, (1) Dome, (1) Dome Collar, (1) Small Parts Bag, (1) Transition Tube Kit, (1) Gasket, and (4) Grommets - (2) 8003663, (1) 8003664 and (1) 8003665
<b>COYGLC-F4B-000</b>	<b>C3 with F4</b>	<b>COYOTE GLC with OptiTap™ Organizer EMPTY (Buffer and Ribbon).</b> Includes: (1) Platform, (1) OptiTap Organizer with Endplate, (1) Dome, (1) Dome Collar, (1) Small Parts Bag, (1) Transition Tube Kit, (8) Pigtails, (1) Gasket, and (4) Grommets - (2) 8003663, (1) 8003664 and (1) 8003665

### COYOTE GLC Spacer Kits

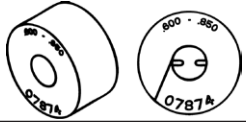



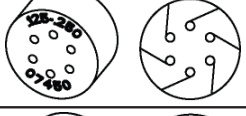


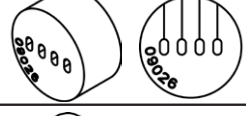

<b>COYGLC-S1-000</b>	<b>S1</b>	<b>Standard Spacer.</b> Includes: (2) Standard Spacer Halves, (4) Spacer Studs, & Fasteners
<b>COYGLC-S2-000</b>	<b>S2</b>	<b>Grounding Spacer.</b> Includes: (1) Grounding Spacer Half, (1) Standard Spacer Half, (1) Removable Access Plate, (1) Grounding Plate, (1) Removable Buss Bar, (4) Ground Leads, (1) Screw-On Terminal Head, (4) Spacer Studs, and Fasteners
<b>COYGLC-S3-000</b>	<b>S3</b>	<b>Dual Grounding Spacer.</b> Includes: (2) Grounding Spacer Halves, (2) Removable Access Plates, (2) Grounding Plates, (2) Removable Buss Bars, (8) Ground Leads, (2) Screw-On Terminal Heads, (4) Spacer Studs, and Fasteners

### COYOTE GLC Accessory Kits

<b>Catalog No.</b>	<b>GLC Brochure Reference Code</b>	<b>Description</b>	<b>Catalog No.</b>	<b>GLC Order Reference Code</b>	<b>Description</b>
80809005	A1	GLC Dome	80808613	A11	Express Fiber Storage Ring for LITE-GRIP® Splice Tray
80809006	A2	GLC Dome Collar	80808817	A12	Parking Lot for Cross-Connect Organizer – holds 6 connectors
80809775	A3	GLC Dome Gasket	80808152	A13	CORNING OptiTap™ Adapter
80809793	A4	GLC Dome Collar Lock Assembly	80807972	A14	*OptiTap™ Installation Tool
80809781	A5	GLC Flat Cover Kit	80809766	A15	Shield Connector
80809788	A6	42" Base Retention Stake with Anchor Plate	Contact PLP for details	A16	COYOTE® PLC Splitter
80809791	A7	Base Retention Stake Driver Cap	Contact PLP for details	A17	Adapter Modules
LGSBS8-5	A8	LITE-GRIP® Splice Blocks for Single Fusion (Yellow) – 5 splice blocks	Contact PLP for details	A18	Pigtail Cable Assemblies
LGSBR3-5	A9	LITE-GRIP® Splice Blocks for Mass Fusion/Ribbon (Purple) – 5 splice blocks	Contact PLP for details	A19	Optical Drop Cable Assembly
800013213	A10	COYOTE® Cross-Connect Tray	80809843	A20	Ground Lead Kit (Includes 4 Ground Leads)

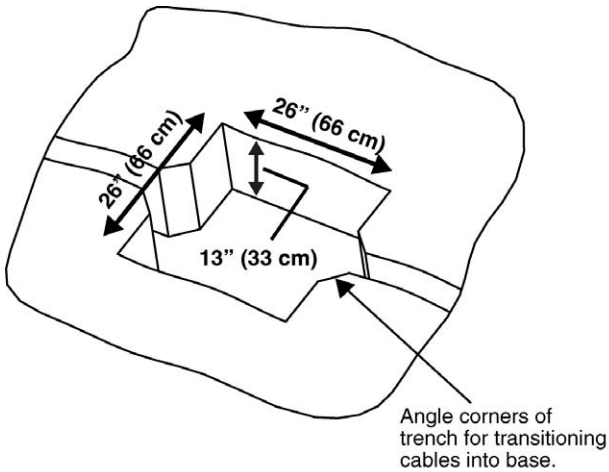
\*OptiTap™ is a trademark of Corning Cable Systems

COYOTE Grommet Chart

PLP Catalog Number	GLC Order Reference Code	Cable Range Inches (mm)	Description	Splitting Location
8003691	G1	.40" - .60" (10.7 – 15.2 mm)	1-Hole Grommet	
8003663	G2	.42" - .60" (10.7 – 15.2 mm)	2-Hole Grommet	
8003990	G3	.50" - .60" (12.7 – 15.2 mm) .125" - .25" (3.2 – 6.4 mm) & Flat Drop	4-Hole Grommet	
8003664	G4	.30" - .43" (7.6 – 10.9 mm)	4-Hole Grommet	
8003665	G5	.125" - .25" (3.2 – 6.4 mm) & Flat Drop	6-Hole Grommet	
8003676	G6	.42" - .60" (10.7 – 15.2 mm) .125" - .25" (3.2 – 6.4 mm) & Flat Drop	7-Hole Grommet	
8003677	G7	.125" - .25" (3.2 – 6.4 mm) & Flat Drop	8-Hole Grommet	
8003989	G8	Flat Drop Cable Only	4-Hole Grommet	
8003796	G9	Flat Drop Cable Only	12-Hole Grommet	

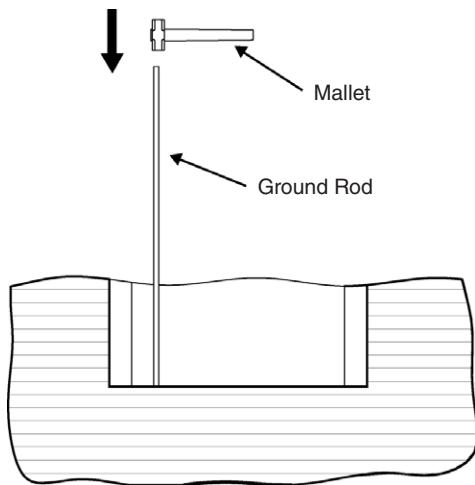
## Hole Preparation

**Step #1** Select placement for the GLC and dig a 26" L x 26" W hole to the depth of approximately 13" or to proper trench depth. Use your standard company practice to line the bottom of hole and trench with pea pebbles or gravel.

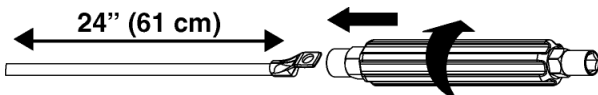


## Grounding Installation

**Step #2** If grounding is required, install ground rod in one corner of the hole.

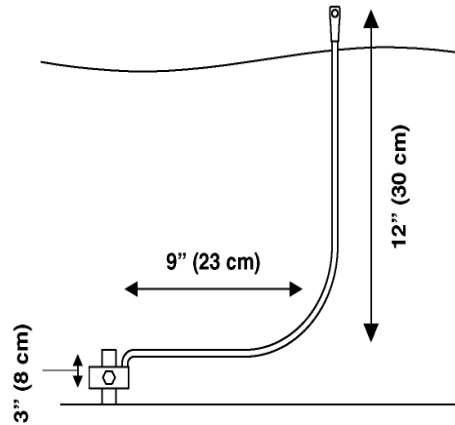


**Step #3** Using the 3/8" side of a can wrench, screw on the terminal head (provided) to a 24" long piece of solid or jacketed #6 copper ground wire.



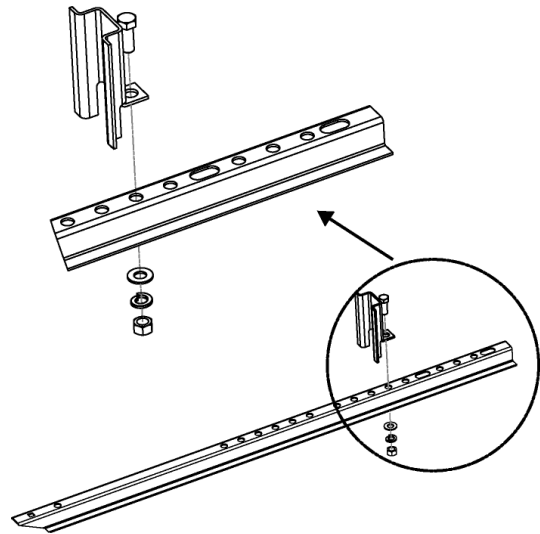
**NOTE:** Use side cutters to remove breakaway of terminal head if desired.

**Step #4** Bend the ground wire to the approximate dimensions below and attach it to the grounding rod per your standard company practice.

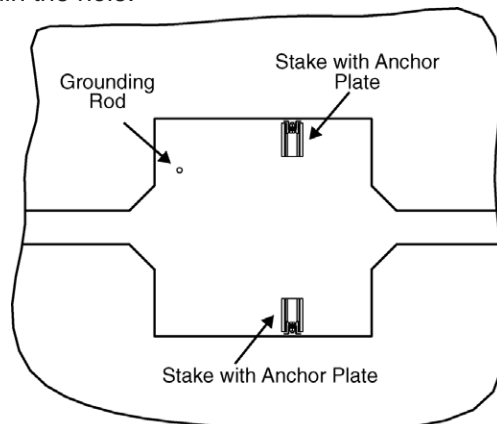


## Staking

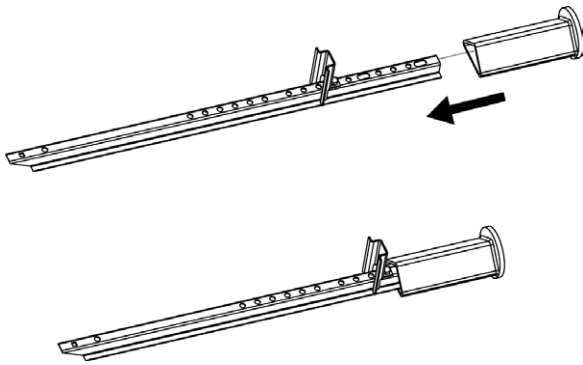
**Step #5** Secure anchor plate to stake at the 5th round hole from the top of the stake.



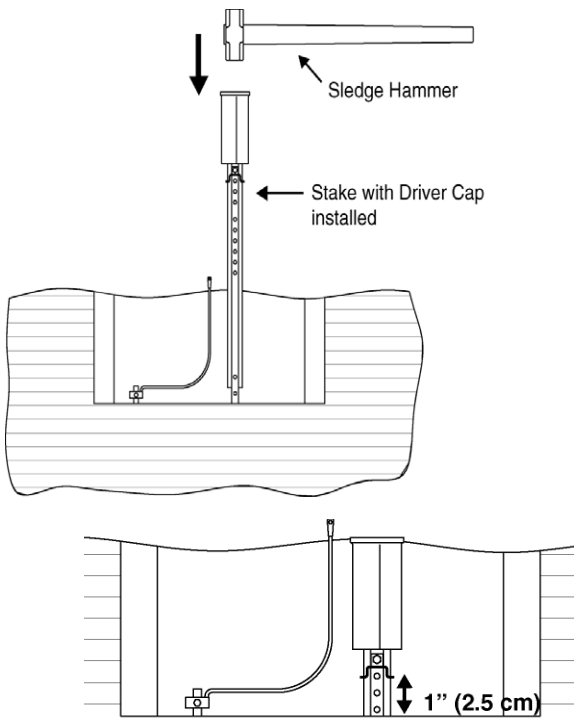
**Step #6** Place stakes at the following locations within the hole.



**Step #7** Install driver cap on end of stake.

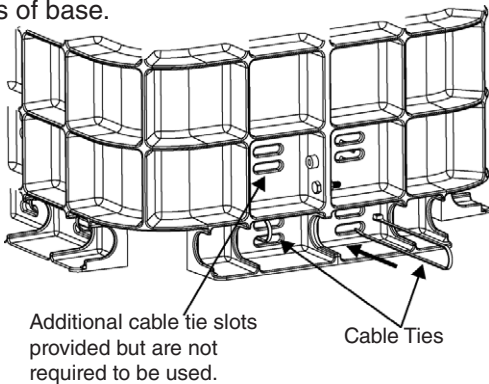


**Step #8** Use a sledge hammer to drive stakes into ground until the anchor plates of the stakes are about 1" from the ground.

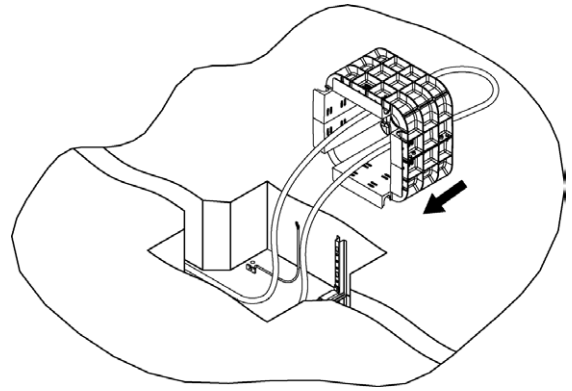


### Base Preparation and Securing Base

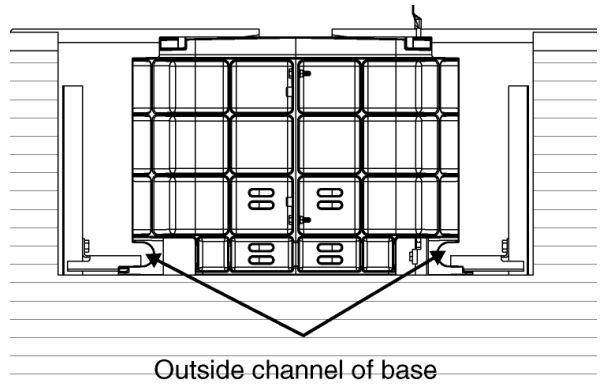
**Step #9** Install cable ties (not provided) in bottom slots of base.



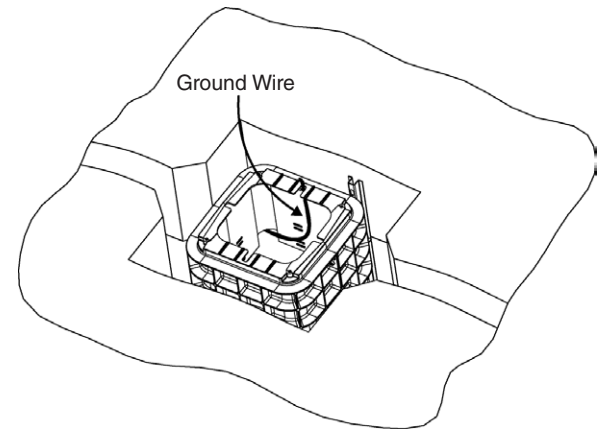
**Step #10** Slide cable through the bottom of base.



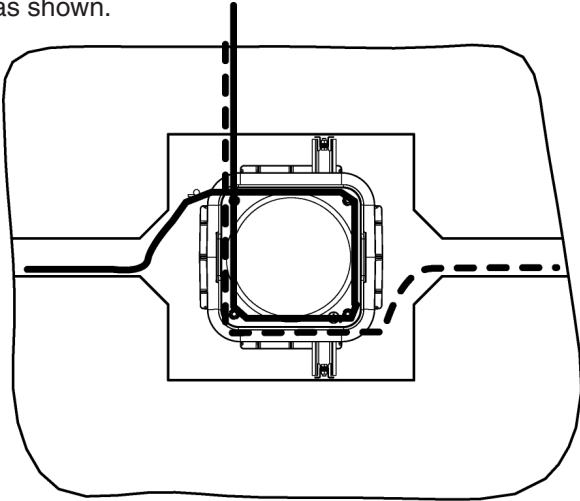
**Step #11** Position base in hole so that the anchor plates of the stakes are positioned within the outside channel of base.



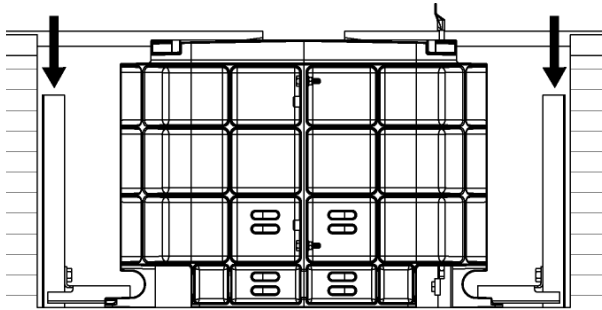
**Step #12** Make sure the ground wire enters the base in the corner opening and is flush against the inside wall of the base.



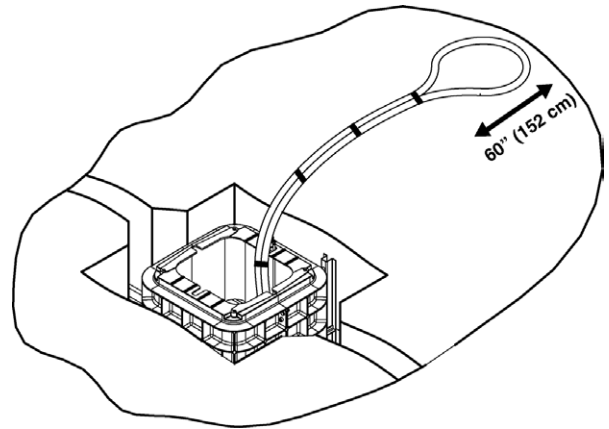
**Step #13** Make sure the cable is entering the base in opposing corners and route cable in base as shown.



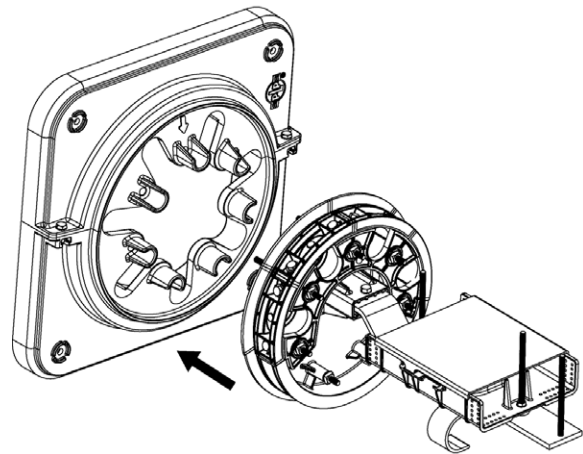
**Step #14** Drive stakes until the base is captured by the anchor plates of the stakes and remove driver cap from stakes.



**Step #16** Tape cable legs together approximately every 1-1/2ft. Stop taping about 60" (152 cm) from the end of the cable loop.

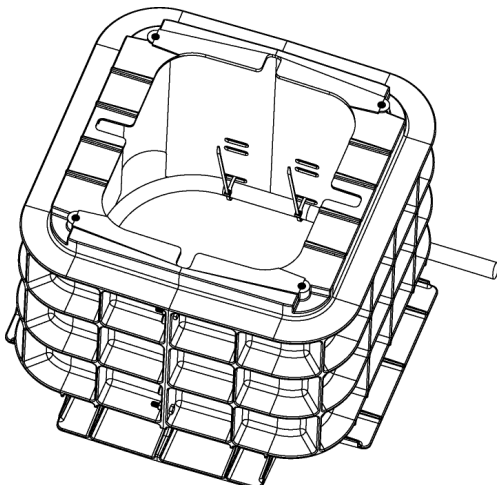


**Step #17** Remove platform from end plate.



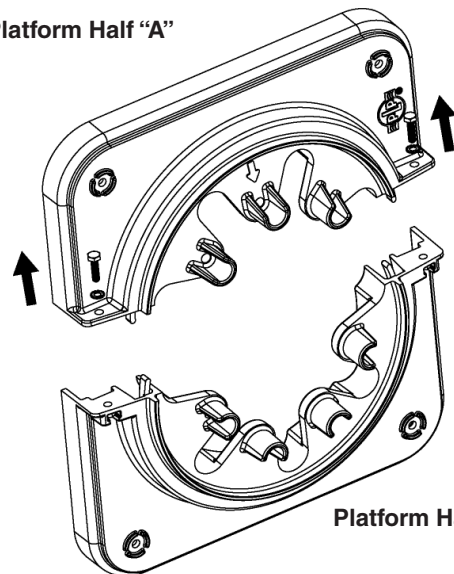
## Cable and Endplate Preparation

**Step #15** Secure cable with cable ties.



**Step #18** Disassemble the platform halves by removing bolts and lock washers

Platform Half "A"

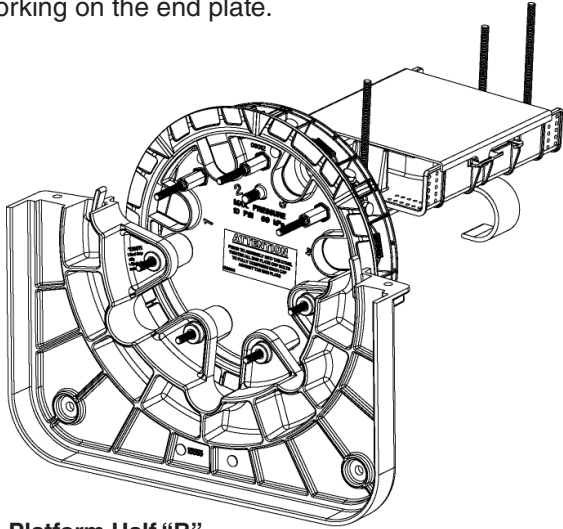


Platform Half "B"



**Step #19 OPTIONAL STEP**

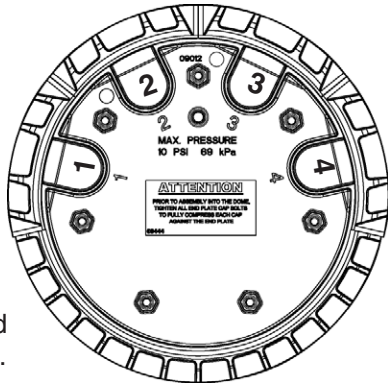
Attach the Platform Half "B" to the end plate in the position shown below to use as a stabilizer while working on the end plate.



Platform Half "B"

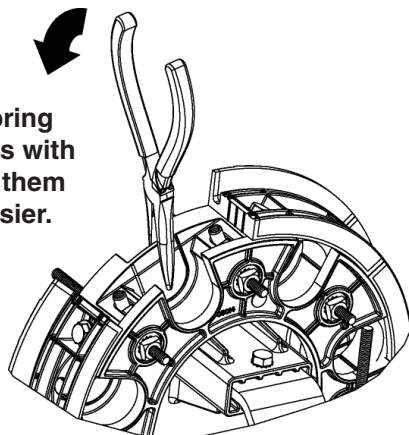
**Step #20** Determine which cable ports will be used and mark the respective breakout tabs of end plate.

**NOTE:** Use ports 1 and 4 for express cable applications in the Universal and Cross-Connect Organizers. Use ports 2 and 3 for express cable applications in the OptiTap and Buffer Tube with Increased Storage Organizers.

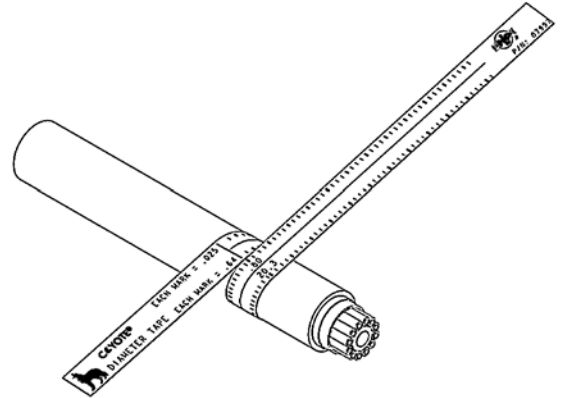


**Step #21** Remove the end plate caps from the selected cable ports and break out the tabs.

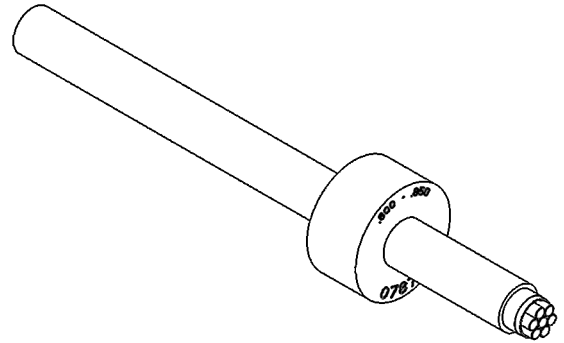
**PLP Tip:** Scoring edges of tabs with knife makes them break out easier.



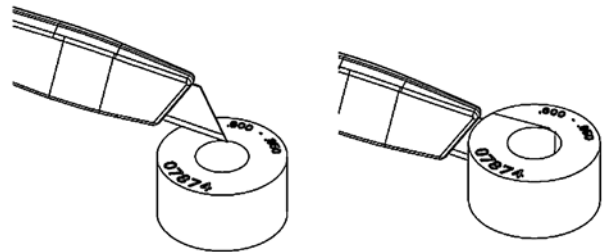
**Step #22** Measure cable to determine diameter and hole location to use in grommet.



**Step #23** If using cut cable, insert cable through grommet. If your application requires express cable, see Step 24 for grommet slitting procedure.



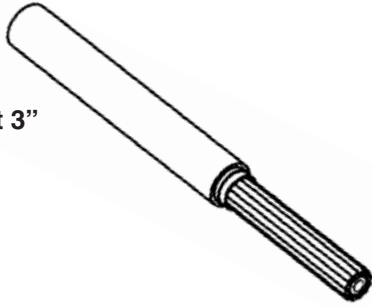
**Step #24 Grommet Slitting** – If slitting is required, lay grommet on a stable flat surface. Position utility knife with the cutting edge against the top surface and cut through grommet. Consult grommet chart on page 3 for slitting locations of all grommets.



**PLP Tip:** Use a pen to sketch slitting lines on top surface of grommet prior to cutting.

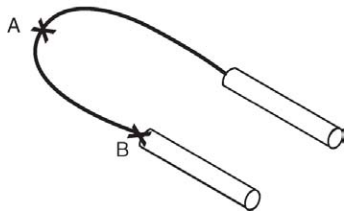
**Step #25** Cable preparation for loose tube or ribbon cables.

**PLP Tip:**  
Leave about 3"  
(8 cm) of  
strength  
member to  
trim later.

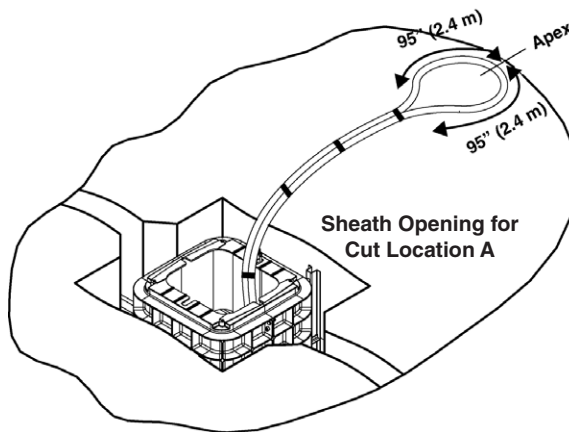
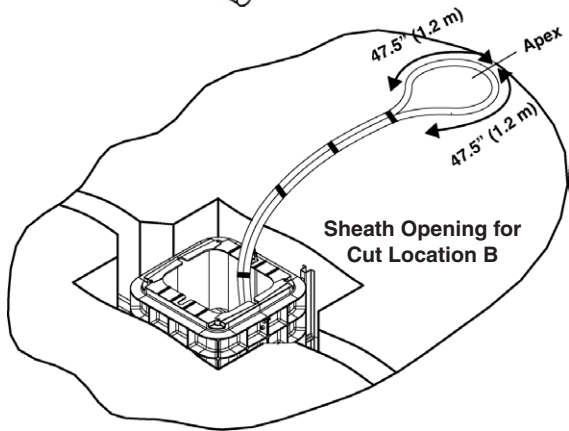


Configuration	Sheath Opening
Cut Cable	95" (2.4 m)

**Step #26a** Determine fiber cut location and measure sheath opening for loose tube or ribbon cables.

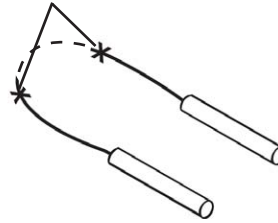


**PLP Tip:** Leave  
about 3" (8 cm)  
of strength  
member to  
trim later.

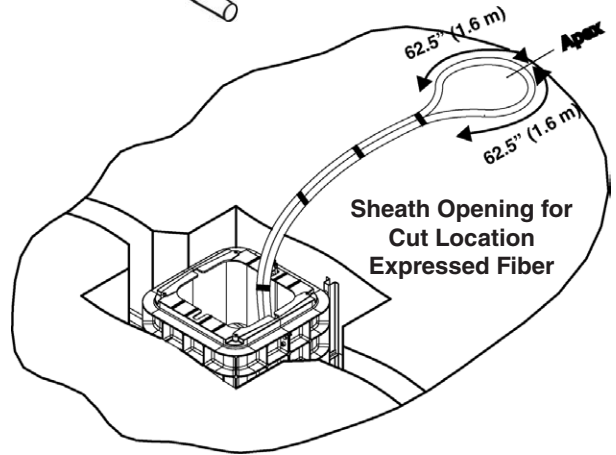


**Step #26b** Measure sheath opening for expressed fiber (buffer tube window cut) applications

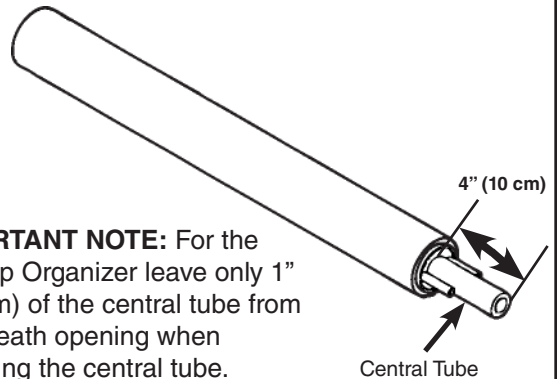
Window cut locations for  
buffer tube(s)



**PLP Tip:** Leave  
about 3" (8 cm)  
of  
strength  
member to  
trim later.



**Step #27** For ribbon feeder cables, leave 4" (10 cm) of the central tube from the sheath opening when removing the central tube.

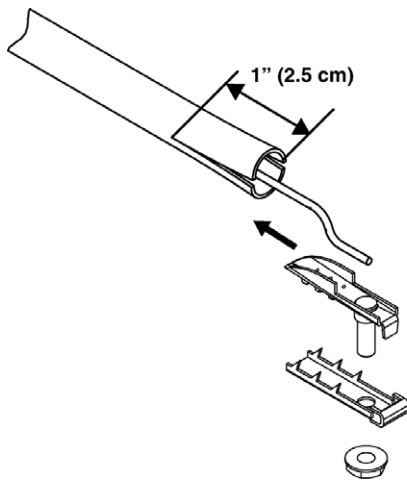


**IMPORTANT NOTE:** For the  
OptiTap Organizer leave only 1"  
(2.5 cm) of the central tube  
from the sheath opening when  
removing the central tube.

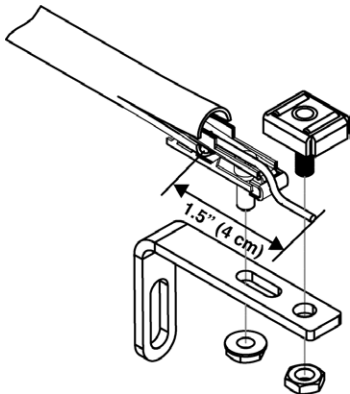


## Cable Preparation for Armored Cables

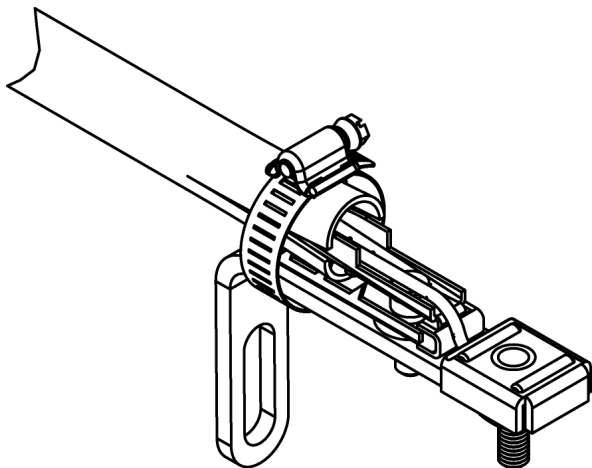
**Step #28** Split sheath and armor 1" from the sheath opening and insert shield connector.



**Step #29** Install the stud of the shield connector through the slot of the strength member bracket and secure with nut. Trim cable strength member(s) to 1.5" (4 cm). Secure cable strength member(s) under cap and tighten nut.

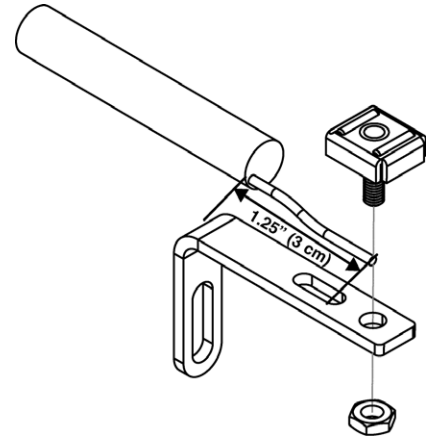


**Step #30** Secure cable sheath with hose clamp.

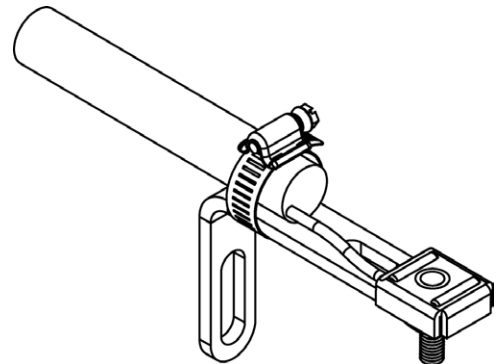


## Cable Preparation for Dielectric (Non-Armored) Cables

**Step #31** Trim cable strength member(s) to 1.25" (3 cm). Secure cable strength member(s) under cap and tighten nut.



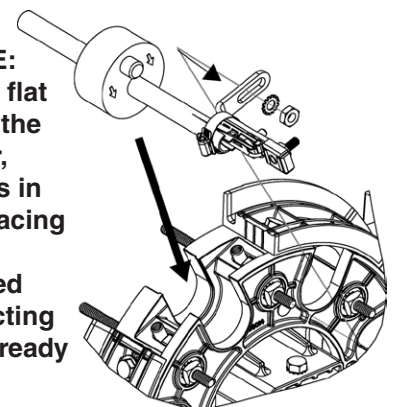
**Step #32** Secure cable sheath with hose clamp.



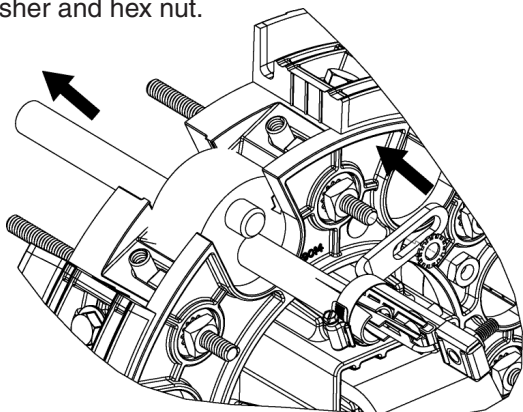
## Grommet Installation into End Plate

**Step #33** Push cable in grommet and position grommet in end plate slot.

**IMPORTANT NOTE:**  
If using the 4-hole flat drop grommet for the OptiTap Organizer, make sure the slits in the grommet are facing outward so future drops can be added without disconnecting drops that have already been installed.

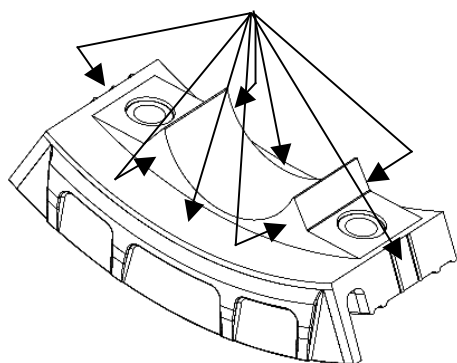


**Step #34** Pull cable out of grommet and position cable strength member bracket onto grounding stud. Secure bracket to stud with external tooth lock washer and hex nut.



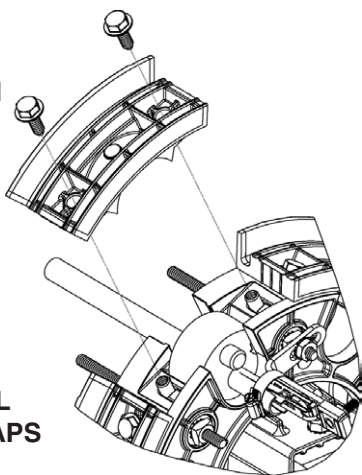
**Step #35** Confirm cable cap surfaces are lubricated. Add silicone lubricant provided if needed.

**SURFACES TO BE LUBRICATED**



**Step #36** Install cable cap and secure with hex bolts.

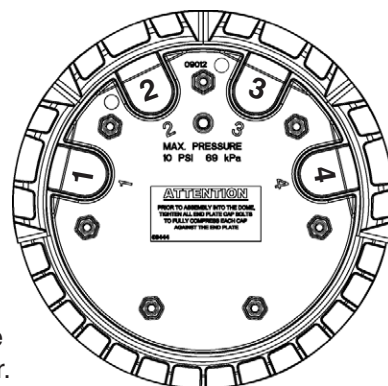
**NOTE: Tighten bolts by hand evenly until cable cap is fully seated (DO NOT USE POWER TOOLS TO TIGHTEN BOLTS).**



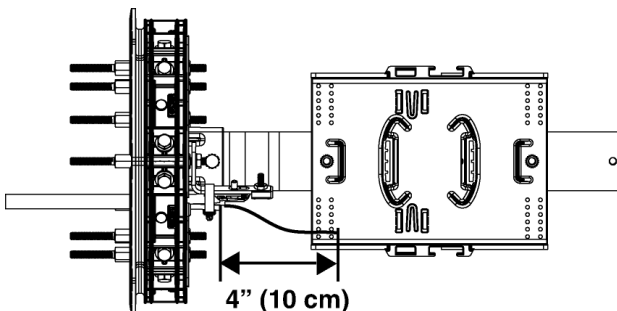
**NOTE: TIGHTEN ALL UNUSED CABLE CAPS**

**Ribbon Applications for Universal, Cross-Connect, & OptiTap Organizers**

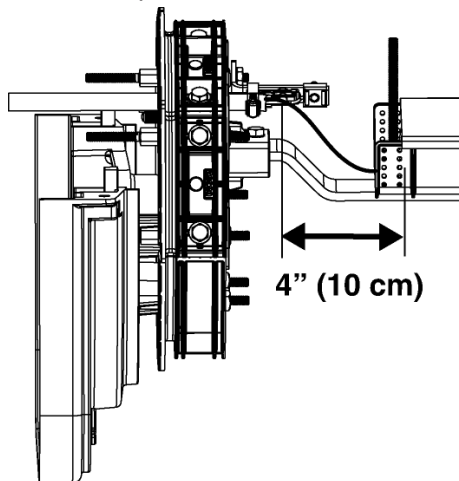
**Reminder:** Use ports 1 and 4 for express cable applications in the Universal and Cross-Connect Organizers. Use ports 2 and 3 for express cable applications in the OptiTap Organizer.



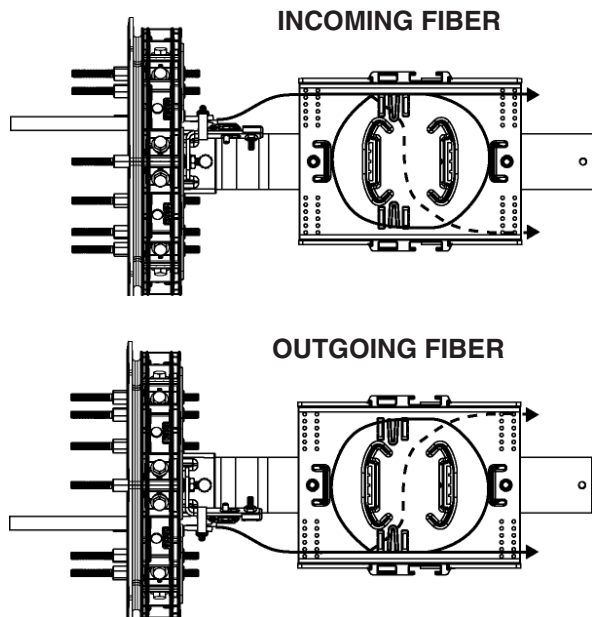
**Step #37** When using cable ports 1 and 4, route and secure central tube of unitube cables to transition compartment with tie wraps.



**Step #38** When using cable ports 2 and 3, use a 4" (10 cm) piece of transition tube to route fiber onto transition tray. Secure transition tube to transition compartment with tie wraps.

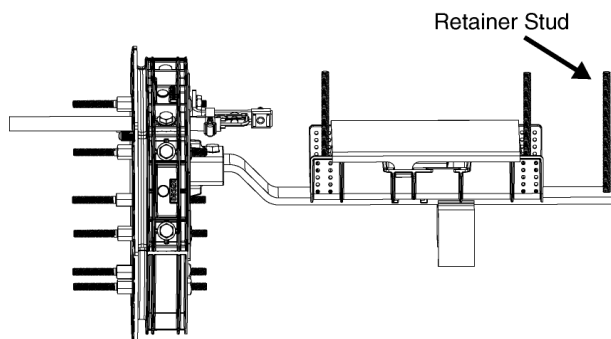


**Step #39** Route fiber within transition tray.



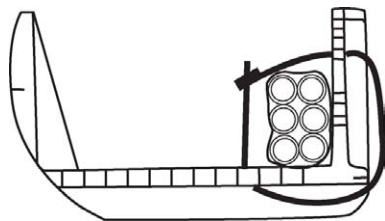
## Universal Organizer

**PLP TIP:** Place a piece of transition tubing over retainer stud to prevent damage to buffer tubes.



**Step #40** Insert fibers to be routed to splice trays into transport tubes and secure to transition compartment.

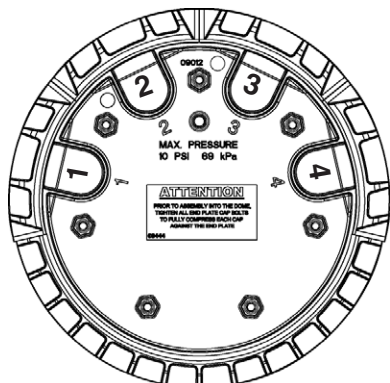
**PLP Tip:** For ease of handling, group the transition tubes in multiples of six.



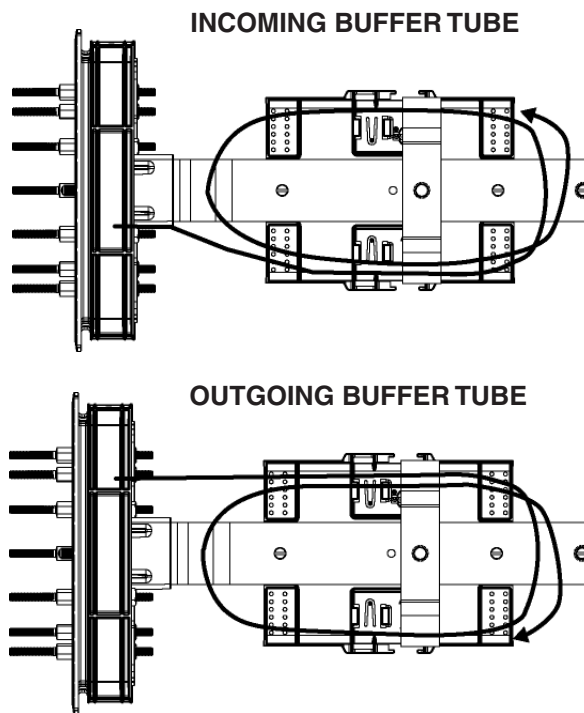
**Skip to Step #42 for Ribbon Applications**

**Buffer Tube/Loose Tube Applications for Universal, Cross-Connect, & OptiTap Organizers**

**NOTE:** Use ports 1 and 4 for express cable applications in the Universal and Cross-Connect Organizers. Use ports 2 and 3 for express cable applications in the OptiTap and Buffer Tube Increased Tray Organizers.

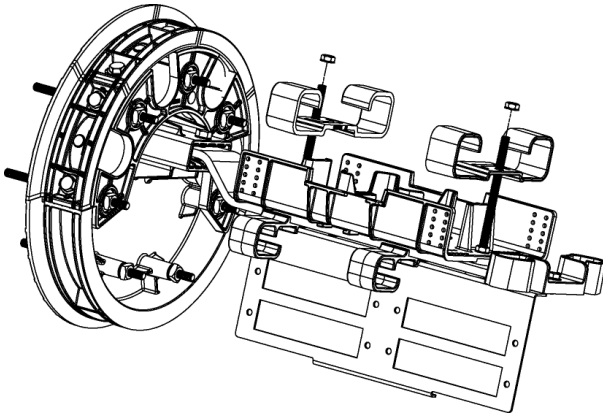


**Step #41a** Route and store buffer tubes in storage brackets.

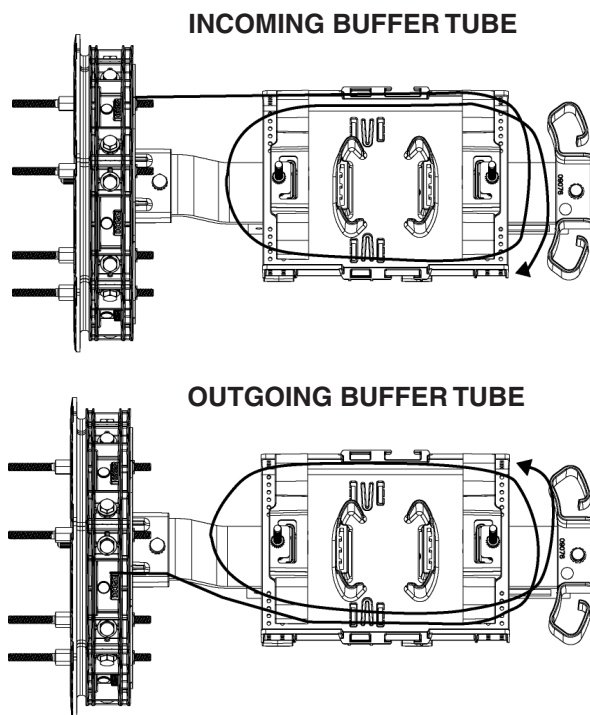


## Cross-Connect & OptiTap Organizers

**Step #41b** Install buffer tube brackets in transition tray and secure with keps nuts.

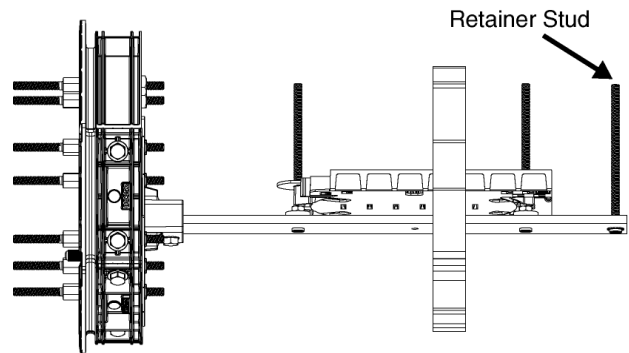


**Step #41c** Route and store buffer tubes in storage brackets.



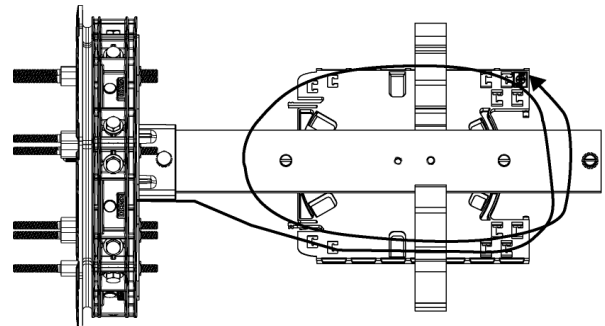
## Buffer Tube Increased Tray & Storage Organizer

**PLP TIP:** Place a piece of transition tubing over retainer stud to prevent damage to buffer tubes.

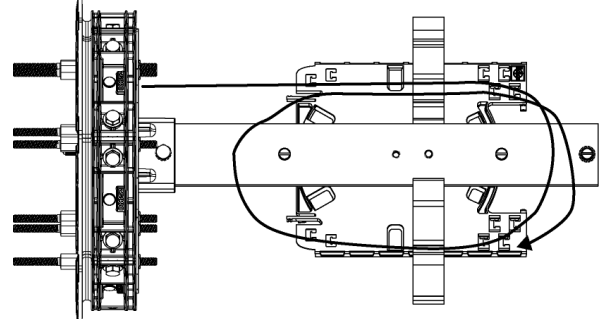


**Step #41d** Route and store buffer tubes in storage brackets. If routing in side storage brackets, see Step #41e.

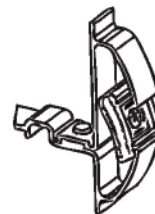
### INCOMING BUFFER TUBE



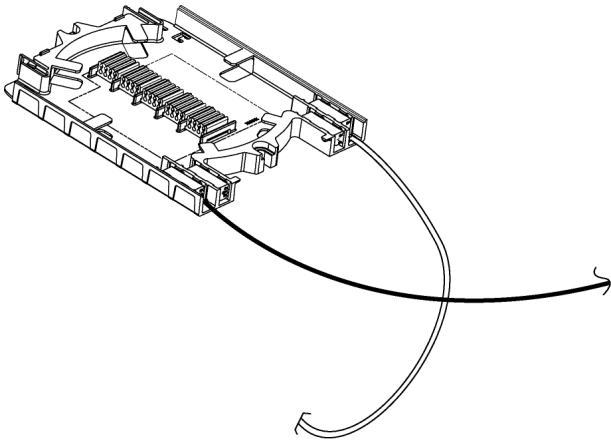
### OUTGOING BUFFER TUBE



**Step #41f** To install retainer clip, position the bottom slot of the retainer clip onto the bottom of the bracket. Tilt retainer clip forward until the top of the bracket snaps into the top slot of the retainer clip.



**Step #42** Route transport tubes and/or buffer tubes to splice trays and secure.



**Step #43** Measure and mark pigtails for Cross-Connect or OptiTap Organizer.



**Cross-Connect Organizer:**

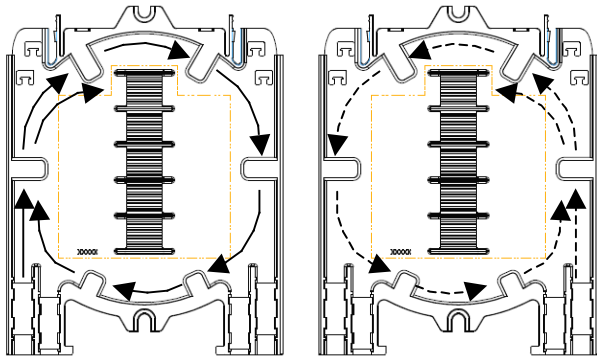
All pigtails at 21" (53 cm) from connector edge

**OptiTap Organizer:**

4 pigtails at 8" (20 cm) from connector edge  
AND  
4 pigtails at 9" (23 cm) from connector edge

Remove the pigtail jacket and \*KEVLAR® yarn beyond this mark.

**Step #44** Route incoming and outgoing fibers or pigtails and splice per standard company practice.

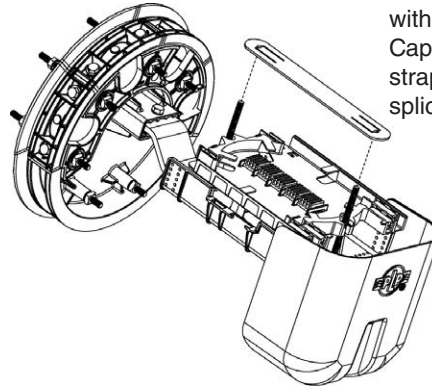


INCOMING FIBER

OUTGOING FIBER

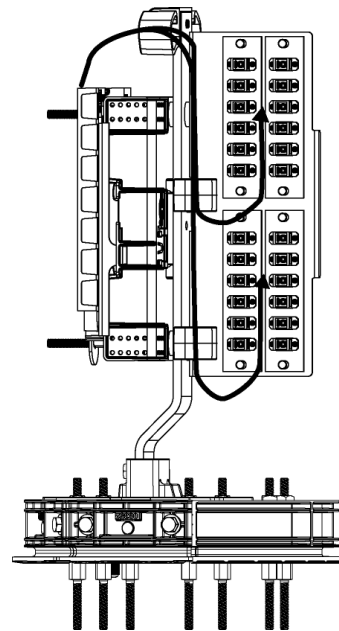
**Step #45** Secure splice tray(s) with strap.

**NOTE:** The Buffer Tube Organizer with Increased Tray Capacity uses a strap to secure the splice trays.



**Routing Pigtails in Cross-Connect Organizer**

**Step #46** Install adapter plate(s) and route pigtails to adapters as shown below.

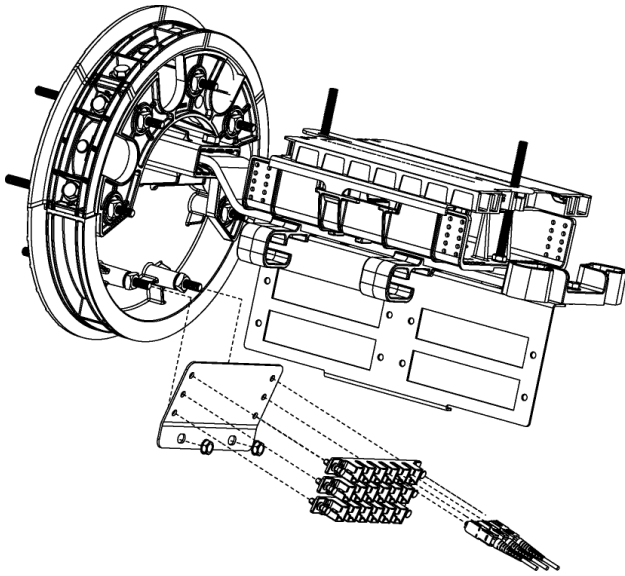


\*KEVLAR® is a registered trademark of DuPont.

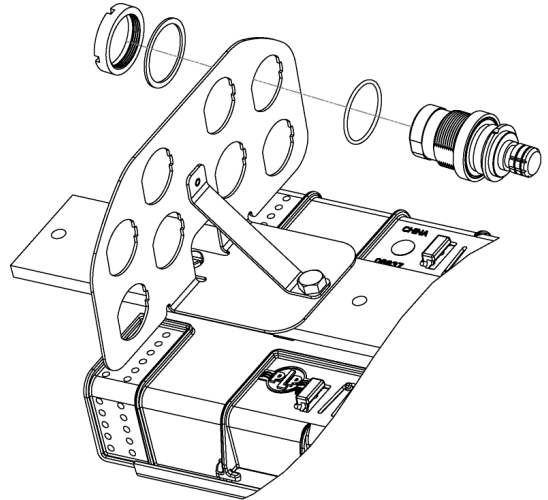


**Step #47 OPTIONAL STEP**

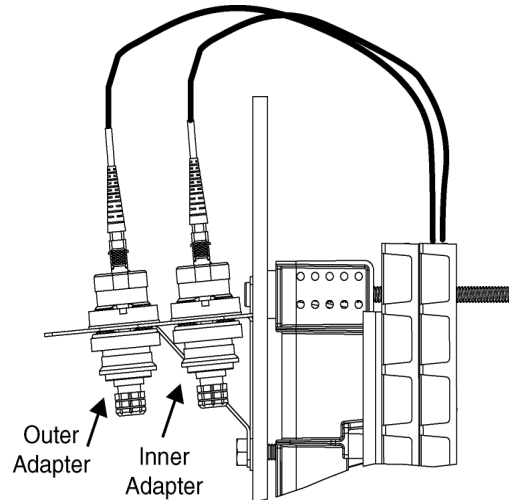
Secure parking lot mounting plate to studs. Attach connector parking lot(s) to plate and store connector(s) in parking lot(s) when service is not required.



**Step #49** Install hardened connector(s) into adapter plate.

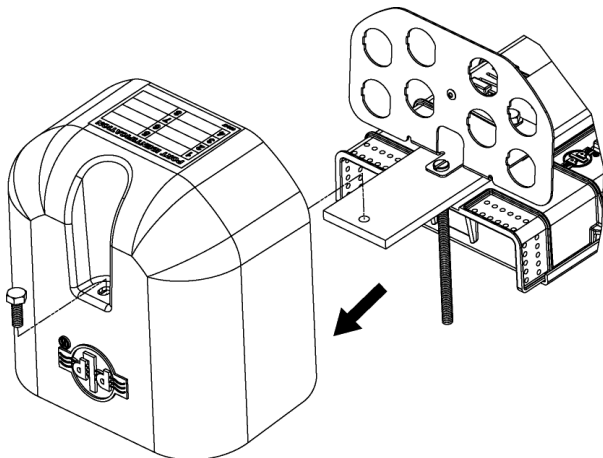


**Step #50** Route pigtails to harden adapter(s) as shown below. Use the 8" long pigtails to connect to the inner adapters and the 9" long pigtails to connect to the outer adapters.

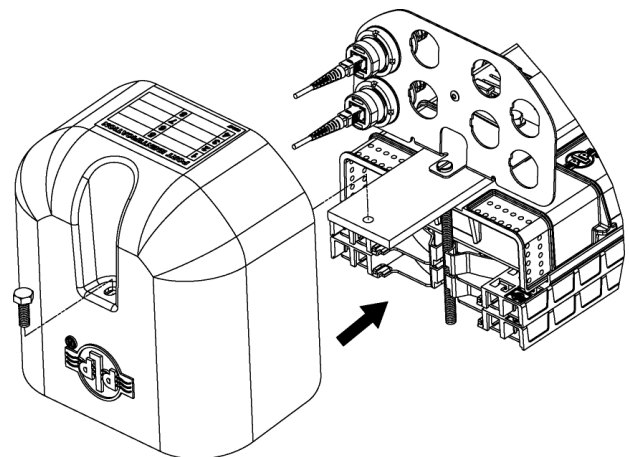


**Routing Pigtails and Connecting Drop Assemblies in OptiTap Organizer**

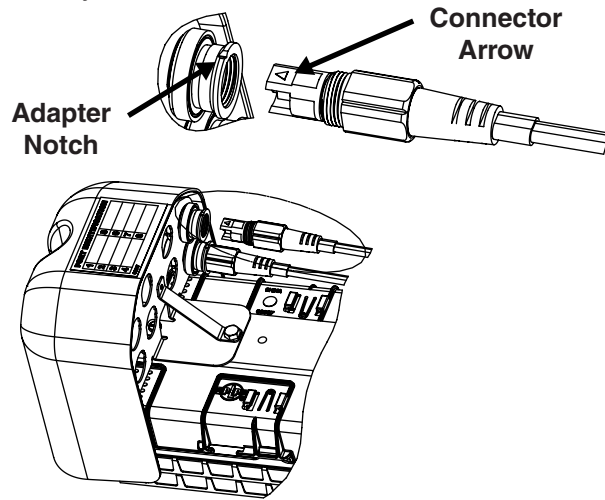
**Step #48** Remove shroud from organizer.



**Step #51** Re-Install shroud to organizer.

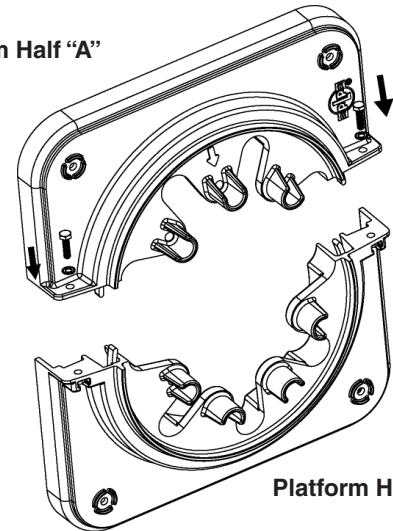


**Step #52** Install drop cable assembly into harden adapter by aligning connector arrow with adapter notch and insert connector. Rotate threaded sleeve until fully installed.



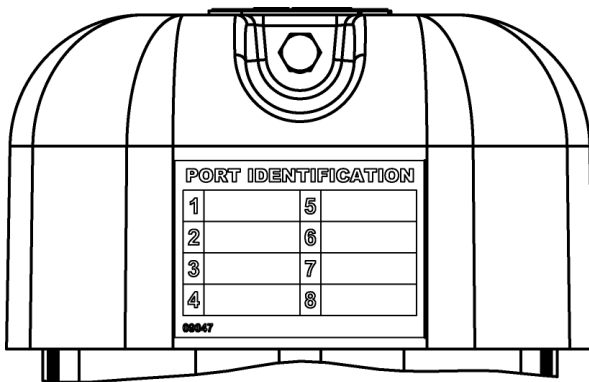
**Step #55** Insert square nuts in Platform Half "B" and re-assemble the platform halves around cables with bolts and lock washers.

Platform Half "A"



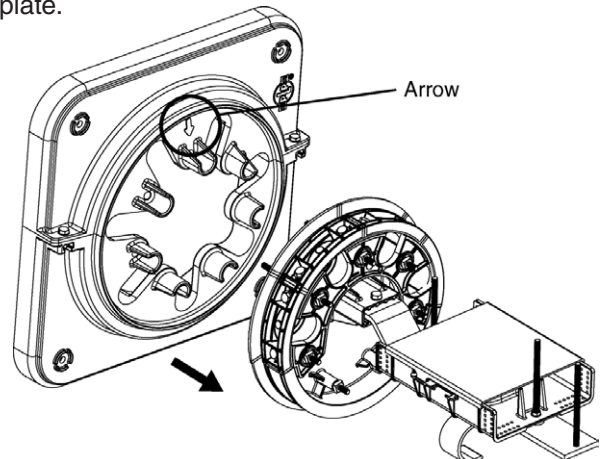
Platform Half "B"

**Step #53** Use label on shroud to identify connections.



### Platform Installation

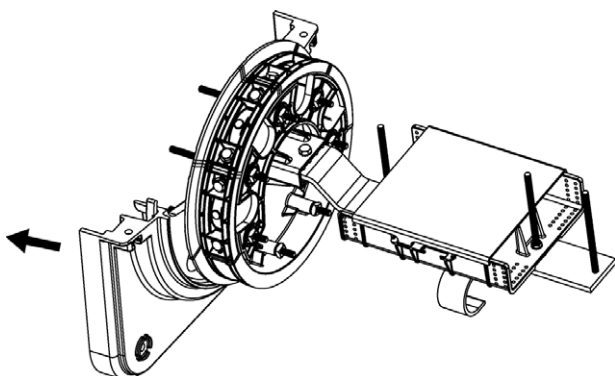
**Step #56** Assemble platform to end plate with nuts and lock washers. Make sure the arrow on the platform is lined up with the air valve of the end plate.



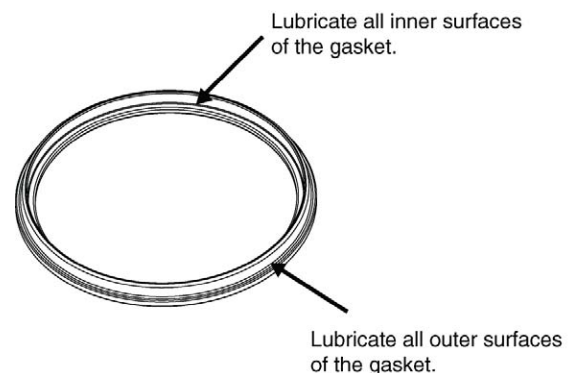
### Dome Preparation & Installation

**Step #54 OPTIONAL STEP**

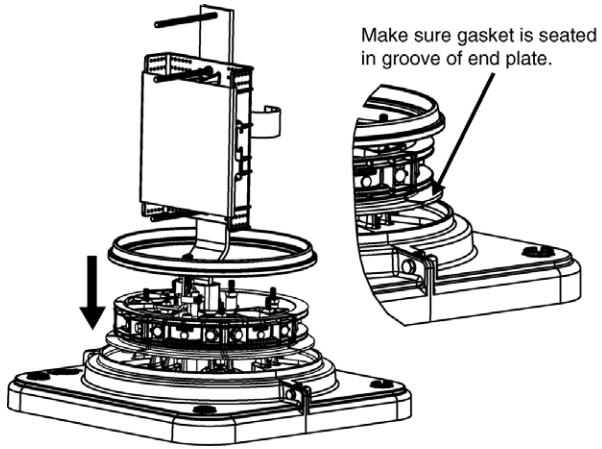
Remove Platform Half "B" from end plate if used to stabilize the end plate while working on the organizer.



**Step #57** Lubricate all inner and outer surfaces around gasket with silicone lubricant to ease assembly and closure re-entry.

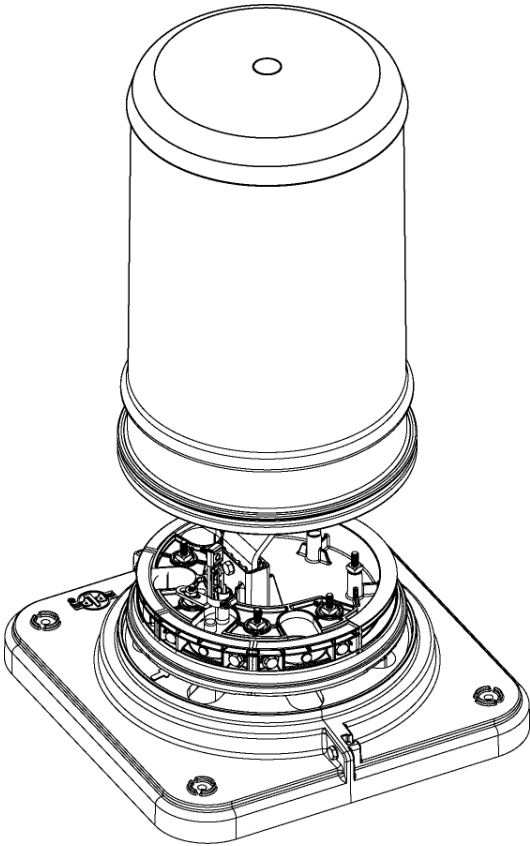


**Step #58** Slide end plate gasket onto end plate and press into groove.

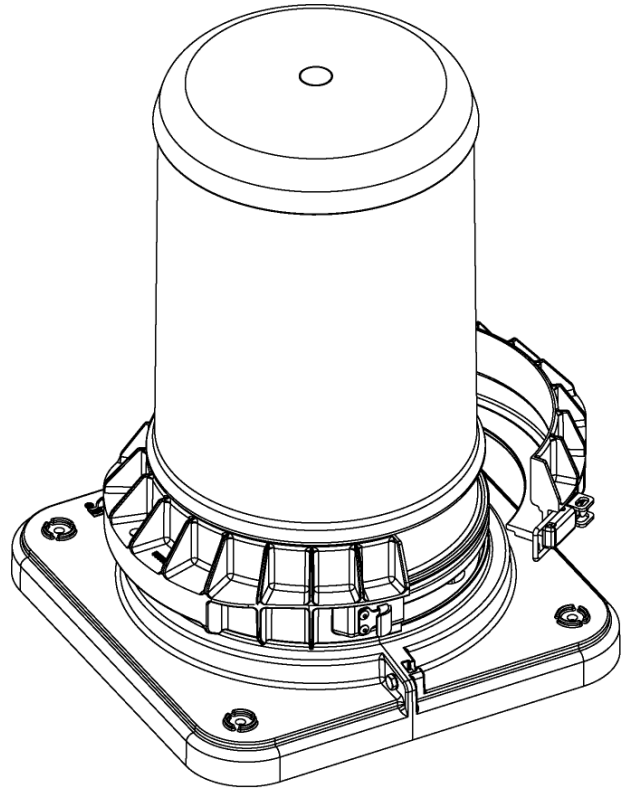


**Step #59** Re-tighten all cable cap bolts (Step #36) to assure that the cable caps are fully seated.

**Step #60** Position dome over end plate.



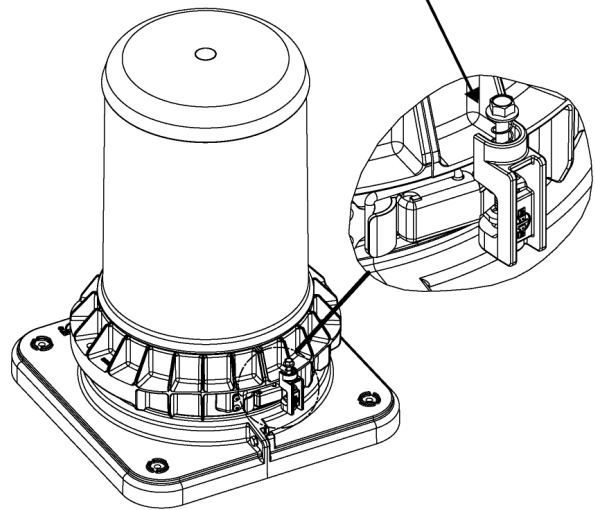
**Step #61** Install dome collar and secure with latch.



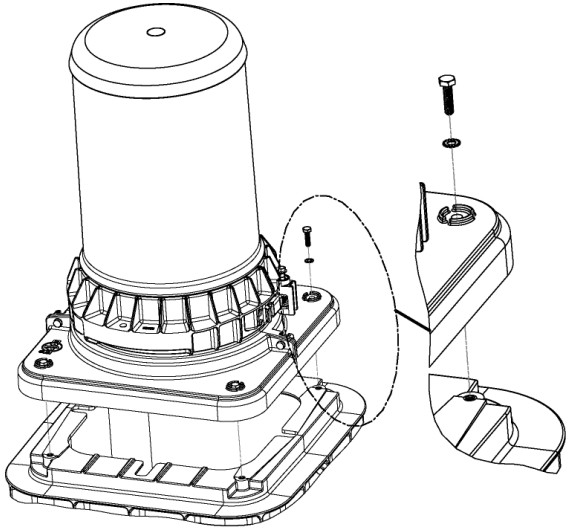
**Step #62** **OPTIONAL STEP**

Secure the dome collar lock assembly to the latch of collar to prevent tampering.

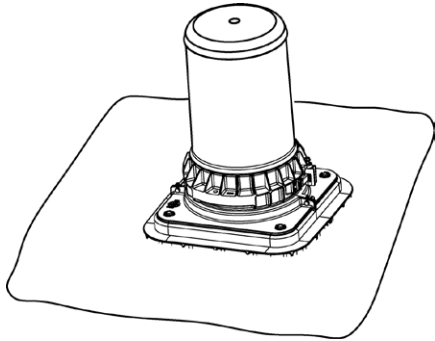
**IMPORTANT NOTE:** Only a can wrench can be used to secure or loosen bolt. Standard socket heads will not fit into lock assembly.



**Step #63** Secure platform to base with bolts and lock washers.

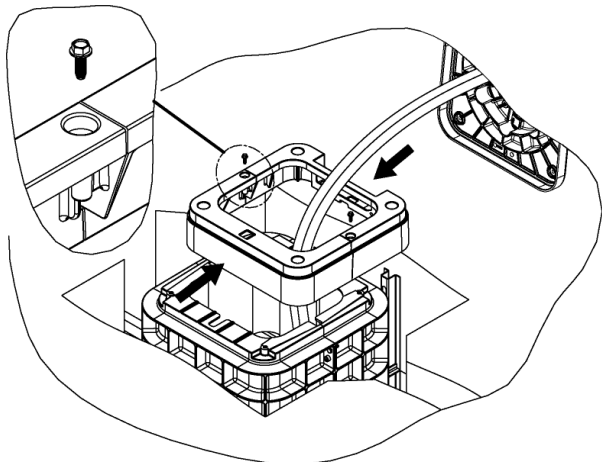


**Step #64** Backfill the hole and trench per your standard company practice, unless a spacer is required (**See Spacer Installation**).

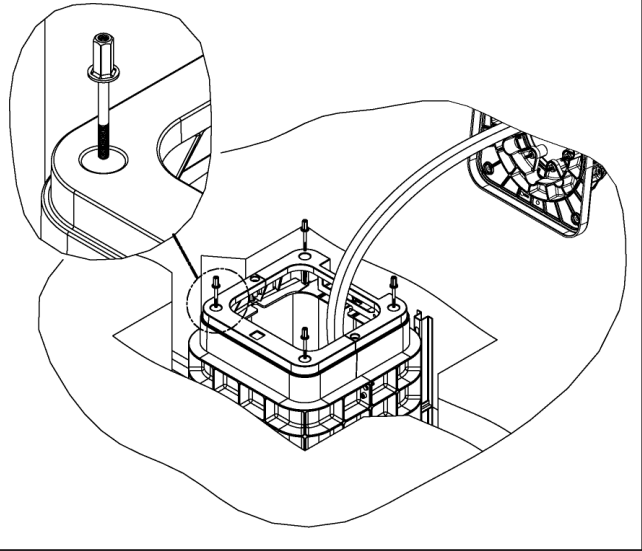


### Spacer Installation (If Required)

**Step #65** Place spacer halves around cables and secure together with self tapping screws and lock washers.

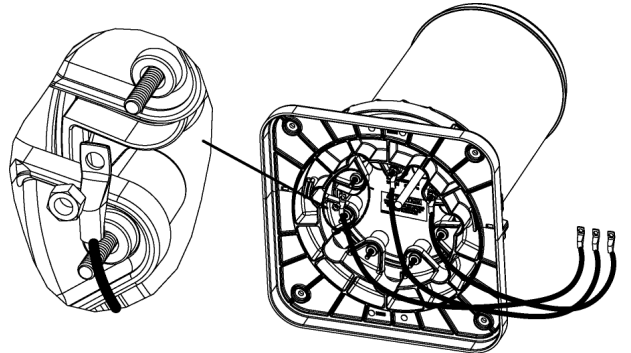


**Step #66** Secure spacer to base with spacer studs.

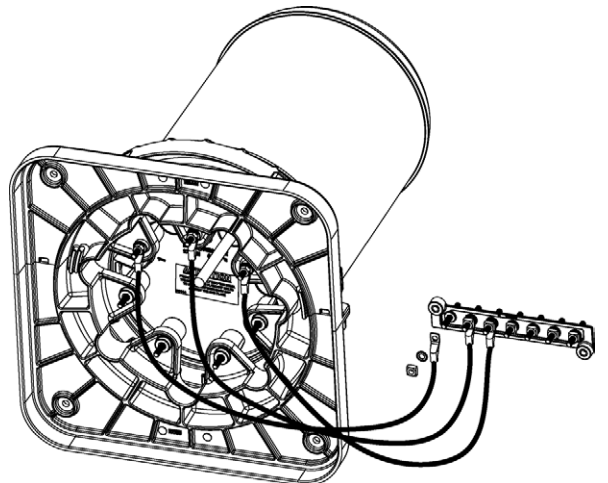


**Skip to Step #73 if Installing a Standard Spacer**

**Step #67** Attach ground leads to studs of endplate in which bond connections have been made to inside the closure.

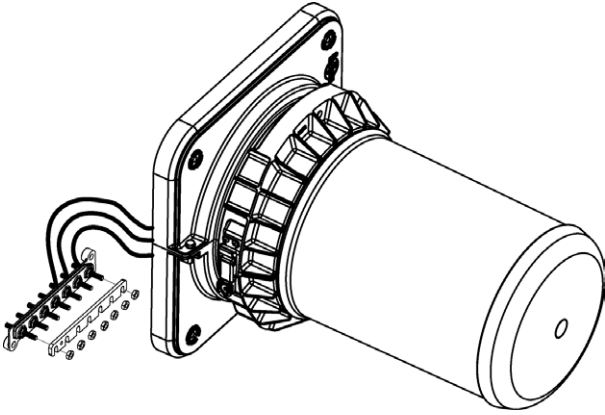


**Step #68** Attach opposite ends of ground leads to the inside studs of the grounding plate.

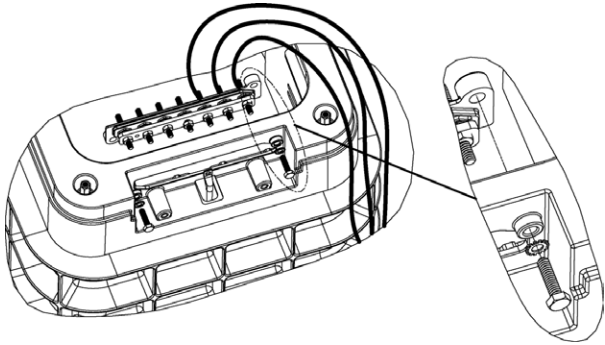




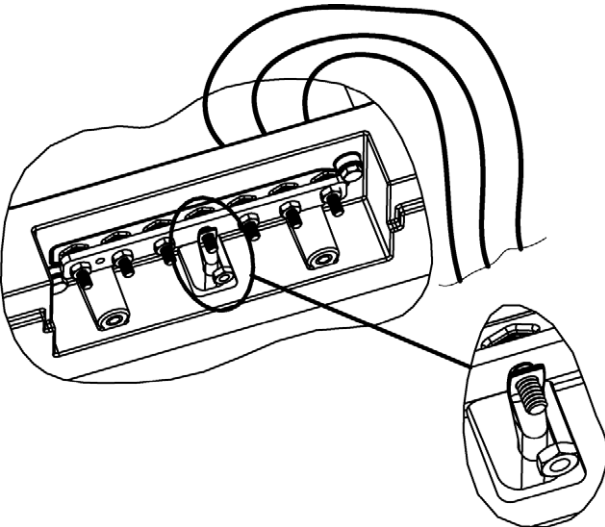
**Step #69** Install removable buss bar to outer studs of the grounding plate.



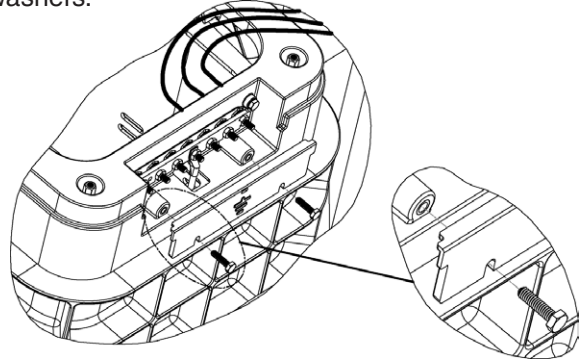
**Step #70** Install grounding plate(s) to grounding spacer half or halves with bolts and lock washers.



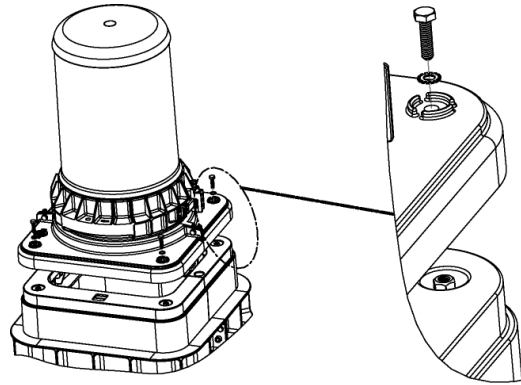
**Step #71** Connect terminal head(s) of ground wire(s) to the middle outer stud(s) of grounding plate(s).



**Step #72** Install removable access plate(s) to grounding spacer half or halves with bolts and lock washers.

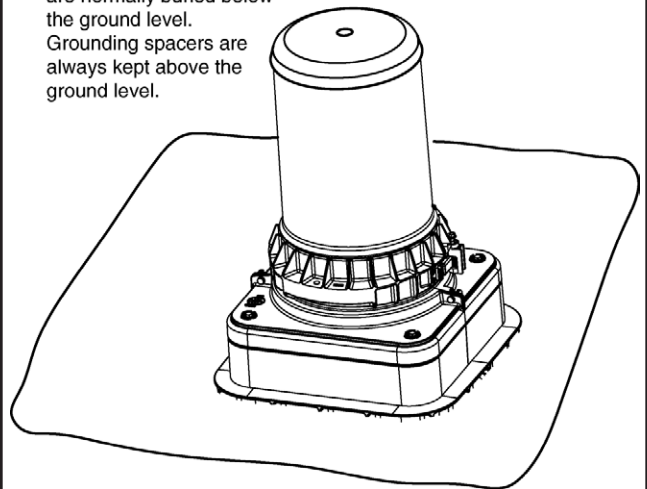


**Step #73** Secure platform to spacer with bolts and lock washers.



**Step #74** Backfill the hole and trench per your standard company practice.

**NOTE:** Standard spacers are normally buried below the ground level. Grounding spacers are always kept above the ground level.







## **SAFETY CONSIDERATIONS**

This application procedure is not intended to supersede any company construction or safety standards. This procedure is offered only to illustrate safe application for the individual. **FAILURE TO FOLLOW THESE PROCEDURES MAY RESULT IN PERSONAL INJURY OR DEATH.**

**Do not modify this product under any circumstances.**

This product is intended for use by trained technicians only. **This product should not be used by anyone who is not familiar with, and not trained to use it.**

When working in the area of energized lines, extra care should be taken to prevent accidental electrical contact.

For proper performance and personal safety, be sure to select the proper size PREFORMED™ product before application.

PREFORMED products are precision devices. To insure proper performance, they should be stored in cartons under cover and handled carefully.



# **PREFORMED** LINE PRODUCTS

P.O. Box 91129, Cleveland, Ohio 44101 • 440.461.5200 • [www.preformed.com](http://www.preformed.com) • e-mail: [inquiries@preformed.com](mailto:inquiries@preformed.com)