



COYOTE® GLC (Ground Level Closure) Base & Flat Cover Installation

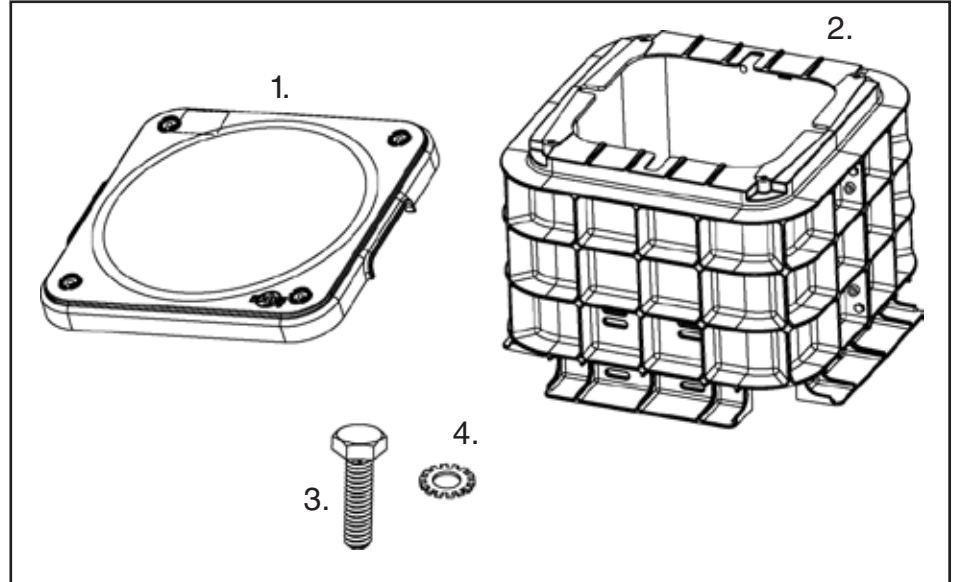
Be sure to read and completely understand this procedure before applying product. Be sure to select the proper PREFORMED product before application.

NOMENCLATURE

- 1. Flat Cover (1)
- 2. Base (1)
- 3. Bolts (4)
- 4. Lock Washers (4)

TOOLS REQUIRED

- Can Wrench
- Cable Ties
- Side Cutters
- Sledge Hammer
- Mallet
- Shovel



COYOTE GLC Base with Flat Cover Kit		
Catalog No.	GLC Brochure Reference Code	Description
COYGLC-C1-000	C1	COYOTE GLC Base with Flat Cover
COYOTE GLC Dome Assembly with Platform Kits		
COYGLC-F1-000	C2 with F1	COYOTE GLC Dome Assembly with Universal Organizer (Buffer and Ribbon). Includes: (1) Platform, (1) Universal Organizer with Endplate, (1) Dome, (1) Dome Collar, (1) Small Parts Bag, (1) Transition Tube Kit, (1) Gasket, and (4) Grommets - (2) 8003663, (1) 8003664 and (1) 8003665
COYGLC-F2-000	C2 with F2	COYOTE GLC Dome Assembly with Buffer Tube Organizer for Increased Tray & Storage Capacity (Buffer Tube Only). Includes: (1) Platform, (1) Buffer Tube Organizer for Increased Tray & Storage Capacity with Endplate, (1) Dome, (1) Dome Collar, (1) Small Parts Bag, (1) Gasket, and (4) Grommets - (2) 8003663, (1) 8003664 and (1) 8003665
COYGLC-F3-000	C2 with F3	COYOTE GLC Dome Assembly with Cross-Connect Organizer EMPTY (Buffer and Ribbon). Includes: (1) Platform, (1) Cross-Connect Organizer with Endplate, (1) Dome, (1) Dome Collar, (1) Small Parts Bag, (1) Transition Tube Kit, (1) Gasket, and (4) Grommets - (2) 8003663, (1) 8003664 and (1) 8003665
COYGLC-F4-000	C2 with F4	COYOTE GLC Dome Assembly with OptiTap™ Organizer EMPTY (Buffer and Ribbon). Includes: (1) Base, (1) Platform, (1) OptiTap™ Organizer with Endplate, (1) Dome, (1) Dome Collar, (1) Small Parts Bag, (1) Transition Tube Kit, (1) Gasket, and (4) Grommets - (2) 8003663, (1) 8003664 and (1) 8003665

COYOTE GLC Full Assembly Kits

COYGLC-F1B-000	C3 with F1	COYOTE GLC with Universal Organizer (Buffer and Ribbon). Includes: (1) Base, (1) Platform, (1) Universal Organizer with Endplate, (1) Dome, (1) Dome Collar, (1) Small Parts Bag, (1) Transition Tube Kit, (1) Gasket, and (4) Grommets - (2) 8003663, (1) 8003664 and (1) 8003665
COYGLC-F2B-000	C3 with F2	COYOTE GLC with Buffer Tube Organizer for Increased Tray & Storage Capacity (Buffer Tube Only). Includes: (1) Base, (1) Platform, (1) Buffer Tube Organizer for Increased Tray & Storage Capacity with Endplate, (1) Dome, (1) Dome Collar, (1) Small Parts Bag, (1) Gasket, and (4) Grommets - (2) 8003663, (1) 8003664 and (1) 8003665
COYGLC-F3B-000	C3 with F3	COYOTE GLC with Cross-Connect Organizer EMPTY (Buffer and Ribbon). Includes: (1) Base, (1) Platform, (1) Cross-Connect Organizer with Endplate, (1) Dome, (1) Dome Collar, (1) Small Parts Bag, (1) Transition Tube Kit, (1) Gasket, and (4) Grommets - (2) 8003663, (1) 8003664 and (1) 8003665
COYGLC-F4B-000	C3 with F4	COYOTE GLC with OptiTap™ Organizer EMPTY (Buffer and Ribbon). Includes: (1) Platform, (1) OptiTap™ Organizer with Endplate, (1) Dome, (1) Dome Collar, (1) Small Parts Bag, (1) Transition Tube Kit, (8) Pigtailed, (1) Gasket, and (4) Grommets - (2) 8003663, (1) 8003664 and (1) 8003665

COYOTE GLC Spacer Kits








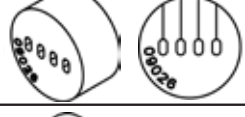

COYGLC-S1-000	S1	Standard Spacer. Includes: (2) Standard Spacer Halves, (4) Spacer Studs, & Fasteners
COYGLC-S2-000	S2	Grounding Spacer. Includes: (1) Grounding Spacer Half, (1) Standard Spacer Half, (1) Removable Access Plate, (1) Grounding Plate, (1) Removable Buss Bar, (4) Ground Leads, (1) Screw-On Terminal Head, (4) Spacer Studs, & Fasteners
COYGLC-S3-000	S3	Dual Grounding Spacer. Includes: (2) Grounding Spacer Halves, (2) Removable Access Plates, (2) Grounding Plates, (2) Removable Buss Bars, (8) Ground Leads, (2) Screw-On Terminal Heads, (4) Spacer Studs, & Fasteners

COYOTE GLC Accessory Kits

Catalog No.	GLC Brochure Reference Code	Description	Catalog No.	GLC Order Reference Code	Description
80809005	A1	GLC Dome	80808613	A11	Express Fiber Storage Ring for LITE-GRIP® Splice Tray
80809006	A2	GLC Dome Collar	80808817	A12	Parking Lot for Cross-Connect Organizer – holds 6 connectors
80809775	A3	GLC Dome Gasket	80808152	A13	CORNING OptiTap™ Adapter
80809793	A4	GLC Dome Collar Lock Assembly	80807972	A14	*OptiTap™ Installation Tool
80809781	A5	GLC Flat Cover Kit	80809766	A15	Shield Connector
80809788	A6	42" Base Retention Stake with Anchor Plate	Contact PLP for details	A16	COYOTE® PLC Splitter
80809791	A7	Base Retention Stake Driver Cap	Contact PLP for details	A17	Adapter Modules
LGSBS8-5	A8	LITE-GRIP® Splice Blocks for Single Fusion (Yellow) – 5 splice blocks	Contact PLP for details	A18	Pigtail Cable Assemblies
LGSBR3-5	A9	LITE-GRIP® Splice Blocks for Mass Fusion/Ribbon (Purple) – 5 splice blocks	Contact PLP for details	A19	Optical Drop Cable Assembly
800013213	A10	COYOTE® Cross-Connect Tray	80809843	A20	Ground Lead Kit (Includes 4 Ground Leads)

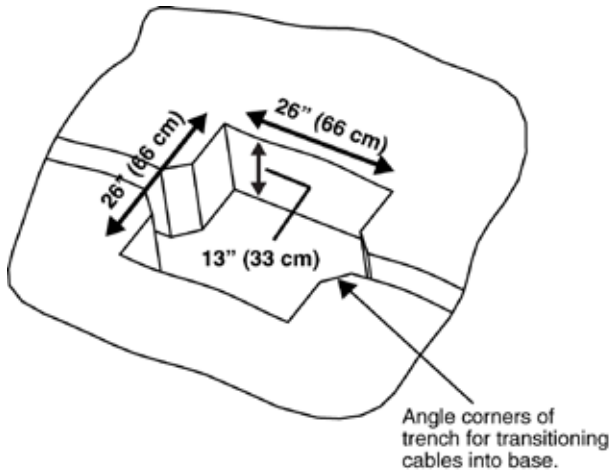
*OptiTap™ is a trademark of Corning Cable Systems

COYOTE Grommet Chart

PLP Catalog Number	GLC Order Reference Code	Cable Range Inches (mm)	Description	Splitting Location
8003691	G1	.40" - .60" (10.7 – 15.2 mm)	1-Hole Grommet	
8003663	G2	.42" - .60" (10.7 – 15.2 mm)	2-Hole Grommet	
8003990	G3	.50" - .60" (12.7 – 15.2 mm) .125" - .25" (3.2 – 6.4 mm) & Flat Drop	4-Hole Grommet	
8003664	G4	.30" - .43" (7.6 – 10.9 mm)	4-Hole Grommet	
8003665	G5	.125" - .25" (3.2 – 6.4 mm) & Flat Drop	6-Hole Grommet	
8003676	G6	.42" - .60" (10.7 – 15.2 mm) .125" - .25" (3.2 – 6.4 mm) & Flat Drop	7-Hole Grommet	
8003677	G7	.125" - .25" (3.2 – 6.4 mm) & Flat Drop	8-Hole Grommet	
8003989	G8	Flat Drop Cable Only	4-Hole Grommet	
8003796	G9	Flat Drop Cable Only	12-Hole Grommet	

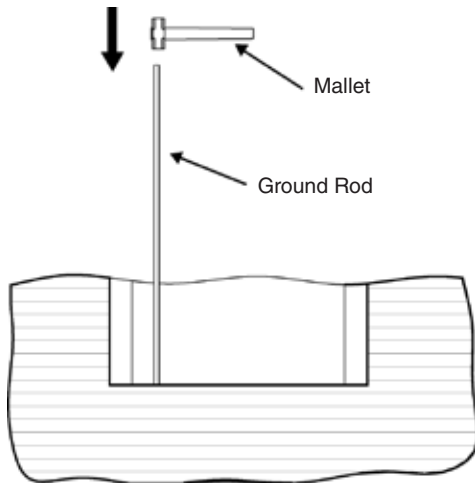
Hole Preparation

Step #1 Select placement for the GLC and dig a 26" L x 26" W hole to the depth of approximately 13" or to proper trench depth. Use your standard company practice to line the bottom of hole and trench with pea pebbles or gravel.

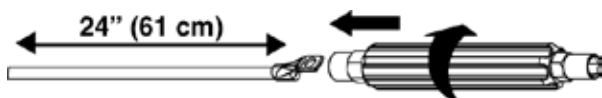


Grounding Installation

Step #2 If grounding is required, install ground rod in one corner of the hole.

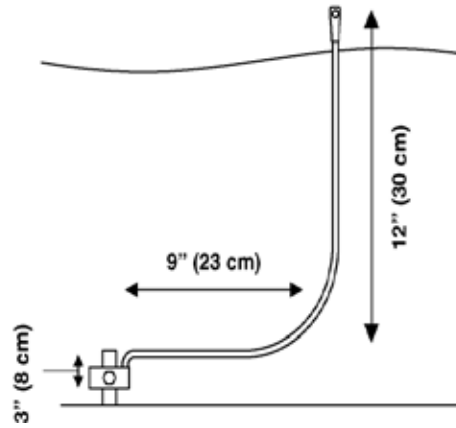


Step #3 Using the 3/8" side of a can wrench, screw on the terminal head (provided) to a 24" long piece of solid or jacketed #6 copper ground wire.



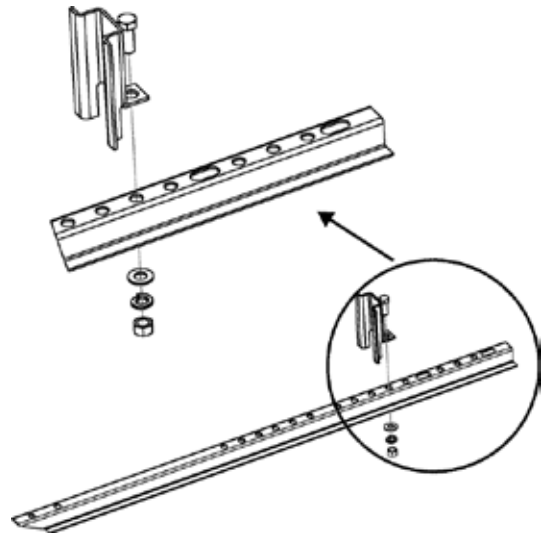
NOTE: Use side cutters to remove breakaway of terminal head if desired.

Step #4 Bend the ground wire to the approximate dimensions below and attach it to the grounding rod per your standard company practice.

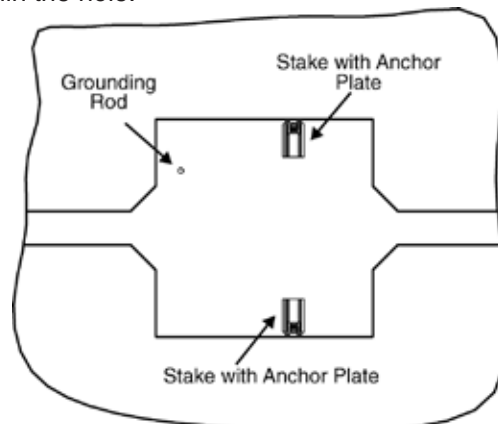


Staking

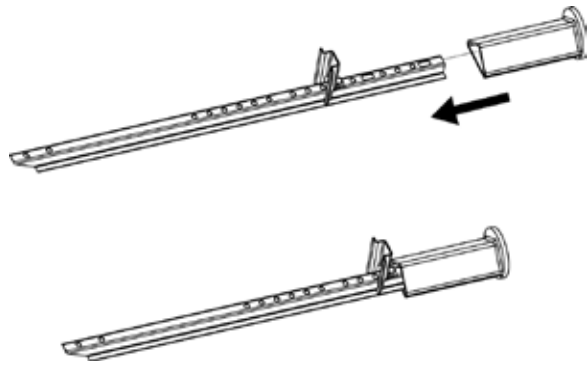
Step #5 Secure anchor plate to stake at the 5th round hole from the top of the stake.



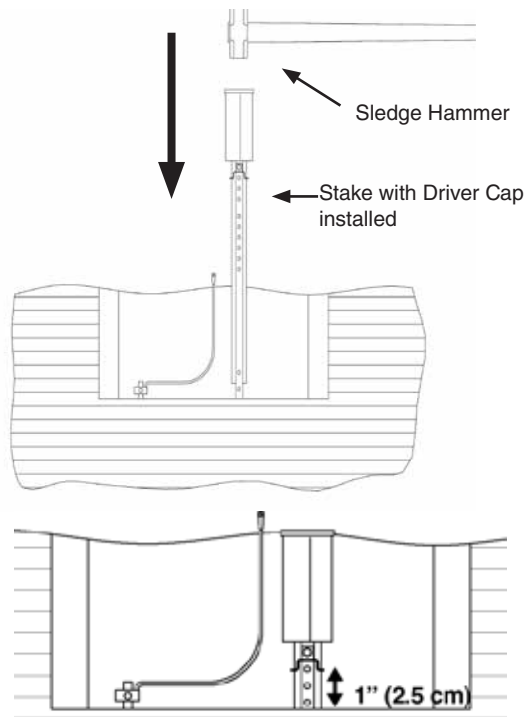
Step #6 Place stakes at the following locations within the hole.



Step #7 Install driver cap on end of stake.

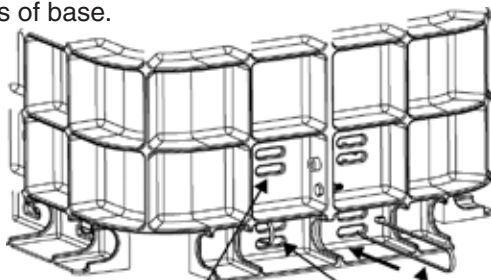


Step #8 Use a sledge hammer to drive stakes into ground until the anchor plates of the stakes are about 1" from the ground.



Base Preparation and Securing Base

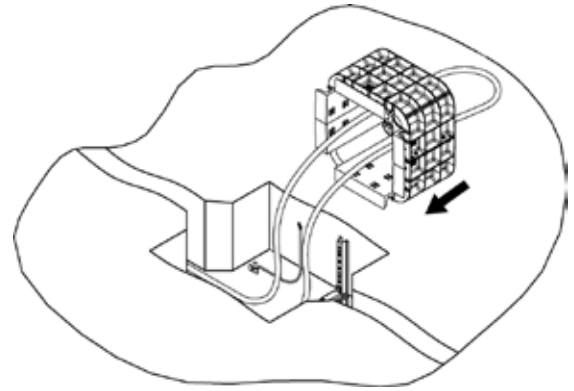
Step #9 Install cable ties (not provided) in bottom slots of base.



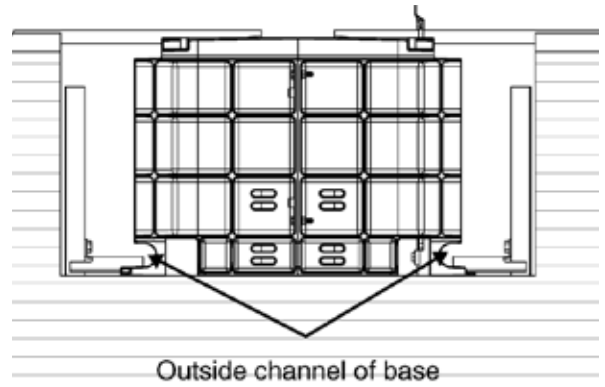
Additional cable tie slots provided but are not required to be used.

Cable Ties

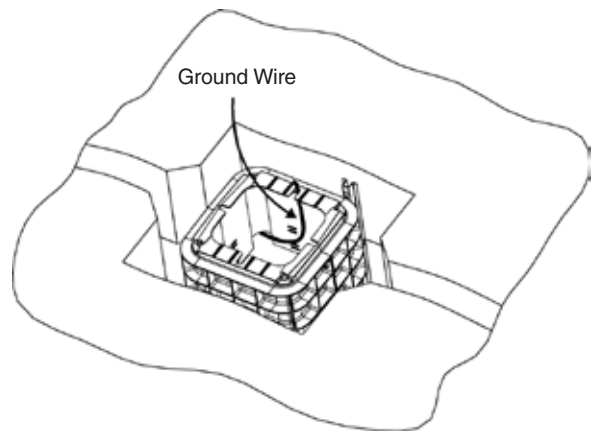
Step #10 Slide cable through the bottom of base.



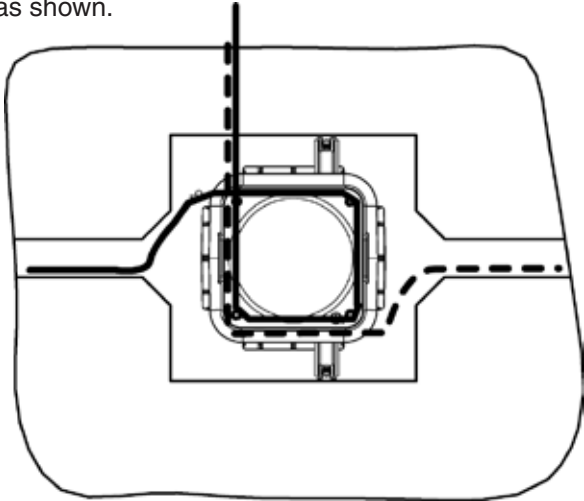
Step #11 Position base in hole so that the anchor plates of the stakes are positioned within the outside channel of base.



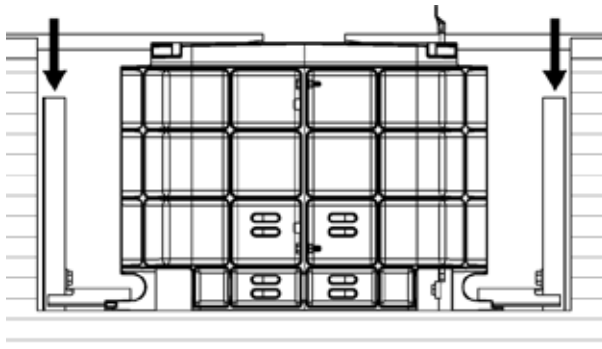
Step #12 Make sure the ground wire enters the base in the corner opening and is flush against the inside wall of the base.



Step #13 Make sure the cable is entering the base in opposing corners and route cable in base as shown.

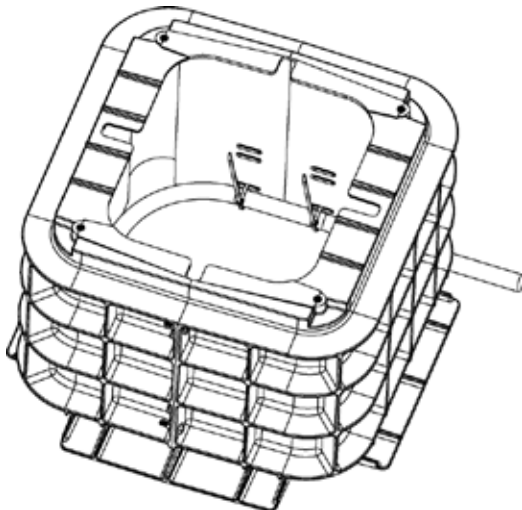


Step #14 Drive stakes until the base is captured by the anchor plates of the stakes and remove driver cap from stakes.

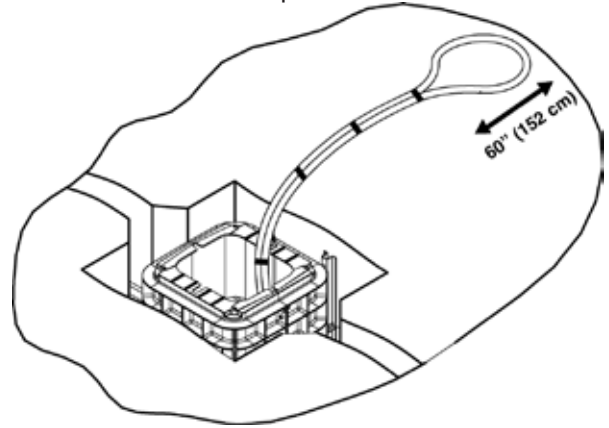


Cable Preparation

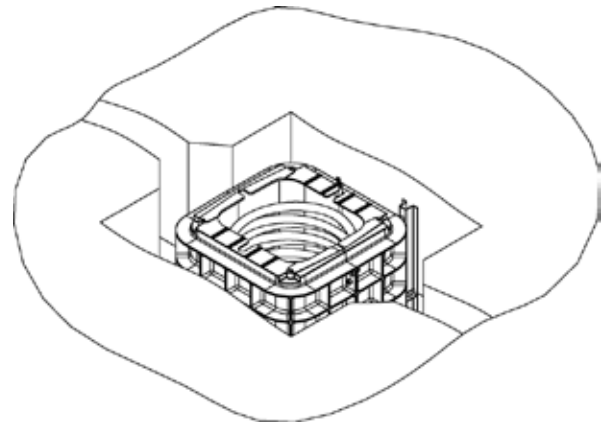
Step #15 Secure cable with cable ties.



Step #16 Tape cable legs together approximately every 1-1/2ft. Stop taping about 60" (152 cm) from the end of the cable loop.

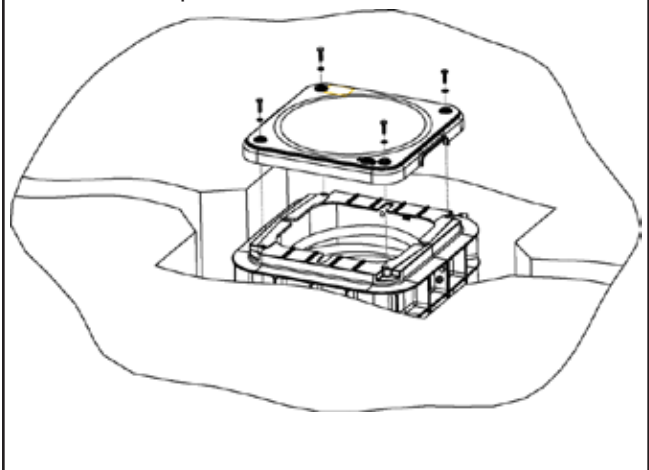


Step #17 Coil cable in base.

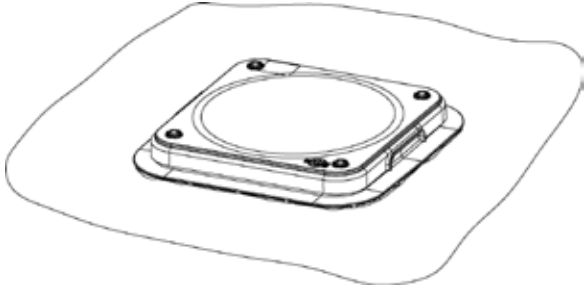


Flat Cover Installation

Step #18 Secure flat cover to base with bolts and lock washers provided.



Step #19 Backfill hole and trench per your standard company practice.



SAFETY CONSIDERATIONS

This application procedure is not intended to supersede any company construction or safety standards. This procedure is offered only to illustrate safe application for the individual. **FAILURE TO FOLLOW THESE PROCEDURES MAY RESULT IN PERSONAL INJURY OR DEATH.**

Do not modify this product under any circumstances.

This product is intended for use by trained technicians only. **This product should not be used by anyone who is not familiar with, and not trained to use it.**

When working in the area of energized lines, extra care should be taken to prevent accidental electrical contact.

For proper performance and personal safety, be sure to select the proper size PREFORMED™ product before application.

PREFORMED products are precision devices. To insure proper performance, they should be stored in cartons under cover and handled carefully.



PREFORMED LINE PRODUCTS

P.O. Box 91129, Cleveland, Ohio 44101 • 440.461.5200 • www.preformed.com • e-mail: inquiries@preformed.com

SP3089

8