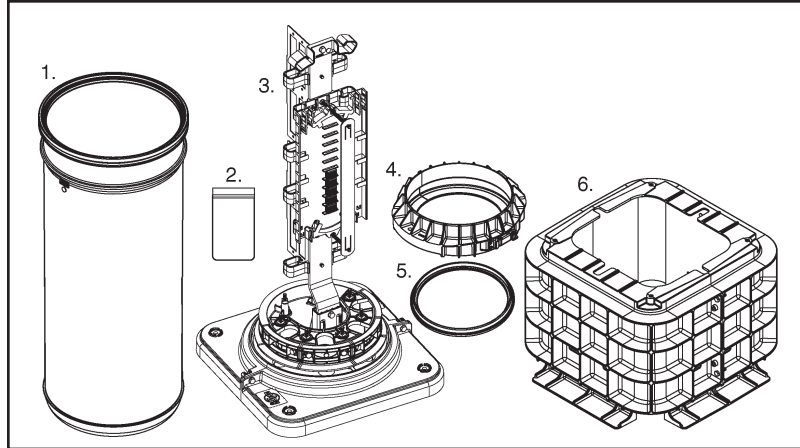




COYOTE® 28" GLC (Ground Level Closure) Complete Assembly Installation

Be sure to read and completely understand this procedure before applying product. Be sure to select the proper PREFORMED product before application.



COYOTE GLC
Fiber Optics Catalog

NOMENCLATURE

- 1. 28" GLC Dome (1)
- 2. Small Parts Bag (1)
- 3. 28" GLC Organizer and End Plate with Platform (1)
- 4. Collar Assembly (1)
- 5. End Plate Gasket (1)
- 6. GLC Base (small base shown) (1)

TOOLS REQUIRED

- Can Wrench
- Side Cutters
- Snips
- Pliers
- Cable Ties
- Sledge Hammer
- Fiber Optic Opening Tools
- Screw Driver
- Mallet
- Shovel

COYOTE GLC Bases	
Catalog No.	Description
COYGLC-C1-000	COYOTE GLC Base with Flat Cover
COYGLC-C4-000	COYOTE GLC Large Base with Cover and Plug - For Fiber Optic Cables with Diameters Up to 1.25" (32mm)
COYGLC-C4-001	COYOTE GLC Large Base with Cover, No Plug – For Fiber Optic Cables with Diameters Up to 1.25" (32mm)
COYOTE GLC Base Covers	
80809781	COYOTE GLC Small Base Cover Kit
COYGLC-C4-002	COYOTE GLC Large Base Cover with Plug
COYGLC-C4-003	COYGLC-C4-003
COYOTE GLC Dome Assembly with Platform Kits	
COYGLC-F5-000	COYOTE 28" GLC Dome Assembly with Universal Organizer (Buffer and Ribbon/Unitube) & Platform
COYGLC-F6-000	COYOTE 28" GLC Dome Assembly with Max Tray & Storage Organizer (Buffer Tube Only) & Platform
COYGLC-F7-000	COYOTE 28" GLC Dome Assembly with Cross-Connect Organizer (Buffer Tube Only) & Platform
COYOTE GLC Spacers	
COYGLC-S1-000	COYOTE GLC Standard Spacer for Small Base
COYGLC-S2-000	COYOTE GLC Grounding Spacer for Small Base – Max of 7 Isolated Connections
COYGLC-S3-000	COYOTE GLC Dual Grounding Spacer for Small Base – Max of 14 Isolated Connections
COYGLC-S4-000	COYOTE GLC Standard Spacer for Large Base
COYGLC-S5-000	COYOTE GLC Grounding Spacer for Large Base – Max of 7 Isolated Connections
COYGLC-S6-000	COYOTE GLC Dual Grounding Spacer for Large Base – Max of 14 Isolated Connections
COYOTE GLC Accessories	
80809793	Dome Collar Lock Assembly
80809788	42" Small Base Retention Stake with Anchor Plate
80809791	Retention Stake Driver Cap
80803989	Shield Connector
80808613	Express Fiber Store Ring for Deep Profile LITE-GRIP Splice Trays
80808152	CORNING OptiTap™ Adapter
80807972	OptiTap Installation Tool
80809083	Ground Lead (Each)

*OptiTap™ is a trademark of Corning Cable Systems.

Standard 28" COYOTE GLC Kits									
Catalog #	Description	Base Type		Organizer Type			Spacer Type		
		Small	Large	F5	F6	F7	S4	S5	S6
COYGLC-F5-000	28" Dome, Universal Organizer, and Platform			X					
COYGLC-F5-100	28" Dome, Universal Organizer, Platform, and Grounding Spacer			X				X	
COYGLC-F6-000	28" Dome, Max Tray and Storage Organizer, and Platform				X				
COYGLC-F6-100	28" Dome, Max Tray & Storage Organizer, Platform, and Grounding Spacer				X			X	
COYGLC-F7-000	28" Dome, Cross-Connect Organizer (EMPTY), and Platform					X			
COYGLC-F7-100	28" Dome, Cross-Connect Organizer (EMPTY), Platform, and Grounding Spacer					X		X	

All COYOTE 28" GLC Kits listed above include the green GLC dome, organizer assembly, gasket, collar, (2) 8003692 grommets, (2) 8003663 grommets, (1) LGSTS72 Splice Tray and cable restraint hardware. Both types of bases can be used with the 28" GLC dome providing the proper size base is selected for the cable diameters being used – small base for cables .60" (15.2mm) or less and large base for cables greater than .60". Cross-Connect organizers require additional selections of adapters and pigtails. Contact PLP for details. Custom configurations of the COYOTE GLC are available upon request.

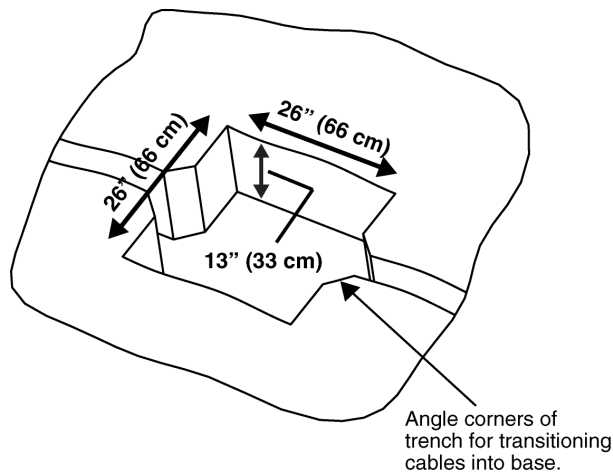
Splice Trays for 28" GLC Fiber Organizers					
28" GLC Fiber Organizers					
Catalog No.	Splice Count/Type	Description	COYGLC-F5-000 Max Tray/ Splice Capacity	COYGLC-F5-000 Max Tray/ Splice Capacity	COYGLC-F5-000 Max Tray/ Splice Capacity
80810086	36 Single Fusion	Standard Profile LITE-GRIP Short Tray	5 Trays 180 Splices	9 Trays 324 Splices	5 Trays 180 Splices
LGSTS72	72 Single Fusion	Deep Profile LITE-GRIP Short Tray	4 Trays 288 Splices	6 Trays 432 Splices	4 Trays 288 Splices
LGSTR216	216 Mass Fusion/Ribbon	Deep Profile LITE-GRIP Short Tray	4 Trays 864 Splices	N/A	N/A

COYOTE Grommet Chart							
PLP Catalog Number	Cable Range Inches (mm)	Description	Splitting Location	PLP Catalog Number	Cable Range Inches (mm)	Description	Splitting Location
8003691	.40" - .60" (10.7 – 15.2)	1-Hole Grommet		8003664	.30" - .43" (7.6 – 10.9)	4-Hole Grommet	
8003692	.60" - .85" (15 – 22)	1-Hole Grommet		8003665	.125" - .25" (3.2 – 6.4) and Flat Drop	6-Hole Grommet	
8003693	.85" - 1.0" (22 - 25)	1-Hole Grommet		8003676	.42" - .60" (10.7 – 15.2) .125" - .25" (3.2 – 6.4) and Flat Drop	7-Hole Grommet	
8003694	1.0" - 1.25" (25 - 32)	1-Hole Grommet		8003677	.125" - .25" (3.2 – 6.4) and Flat Drop	8-Hole Grommet	
8003663	.42" - .60" (10.7 – 15.2)	2-Hole Grommet					

Installation Steps for GLC Small Base

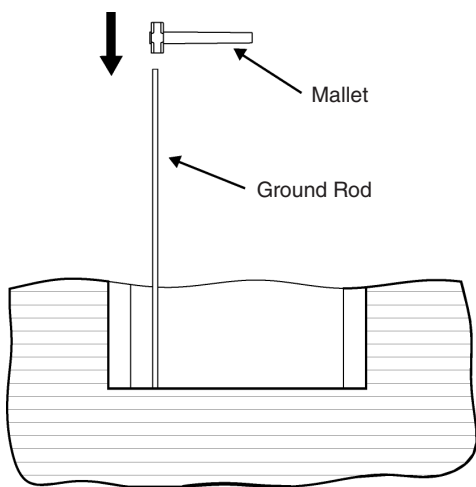
Hole Preparation

Step #1 Select placement for the GLC Small Base and dig a 26" L x 26" W hole to the depth of approximately 13". Use your standard company practice to line the bottom of hole and trench with pea pebbles or gravel.

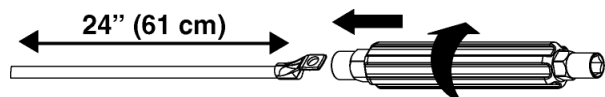


Grounding Installation

Step #2 If grounding is required, install ground rod in one of the corners of the hole.

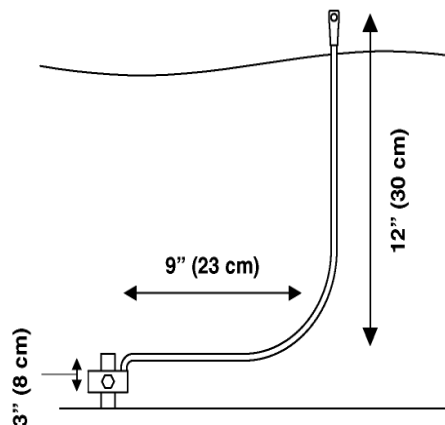


Step #3 Using the 3/8" side of a can wrench, screw on the terminal head (provided) to a 24" long piece of solid or jacketed #6 copper ground wire.



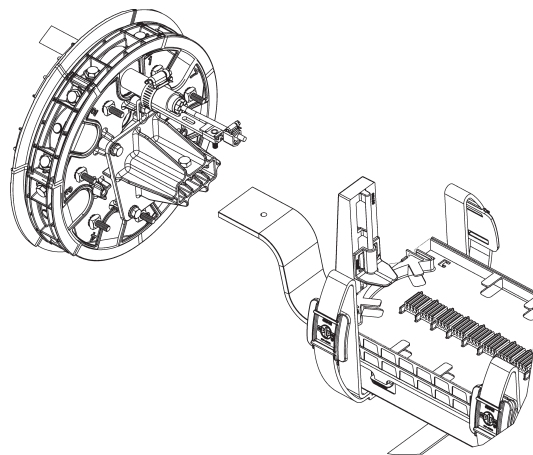
NOTE: Use side cutters to remove breakaway of terminal head if desired.

Step #4 Bend the ground wire to the approximate dimensions below, and attach it to the grounding rod per your standard company practice.

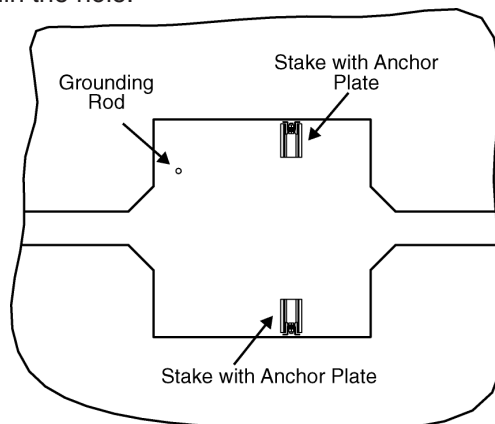


Staking

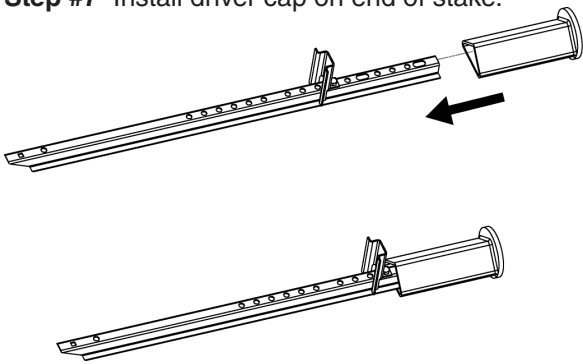
Step #5 Secure anchor plate to stake at the 5th round hole from the top of the stake.



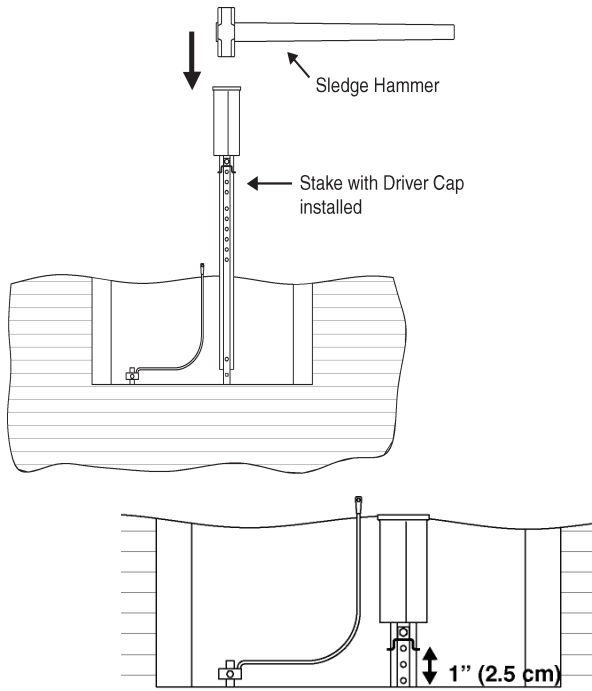
Step #6 Place stakes at the following locations within the hole.



Step #7 Install driver cap on end of stake.

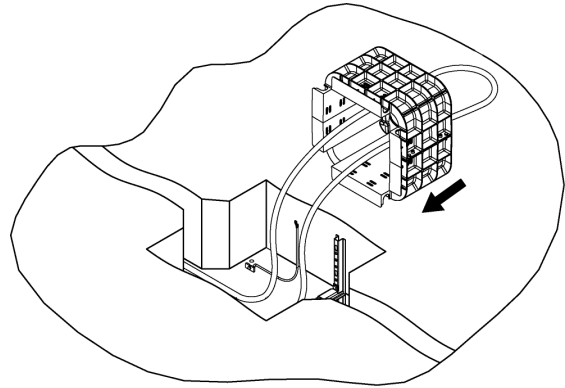


Step #8 Use a sledge hammer to drive stakes into ground until the anchor plates of the stakes are about 1" from the ground.

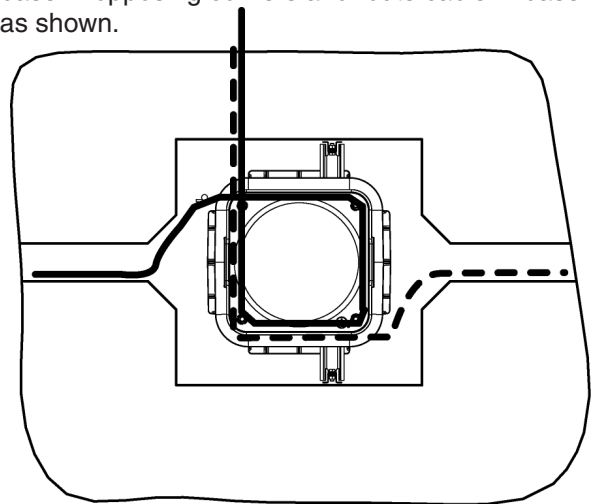


Small Base Preparation When Cables Are Entering The Base Through The Corner Openings

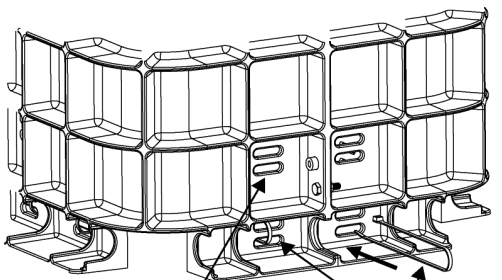
Step #10 Slide cable through the bottom of base.



Step #11 Make sure the cable is entering the base in opposing corners and route cable in base as shown.



Step #9 OPTIONAL STEP: Install cable ties (not provided) in bottom slots of base.

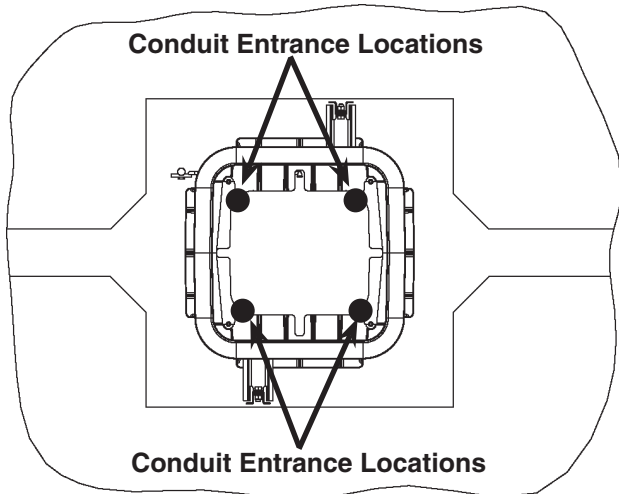


Additional cable tie slots provided but are not required to be used.

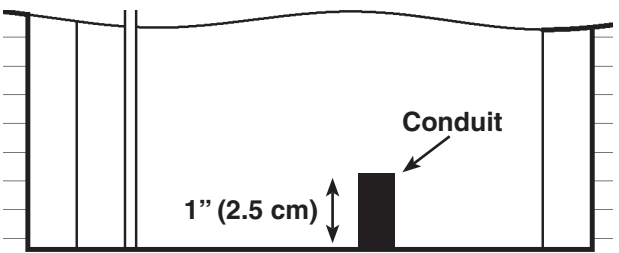
Cable Ties used to secure incoming cables.

Small Base Preparation When Cables Are Entering The Base Through Conduit

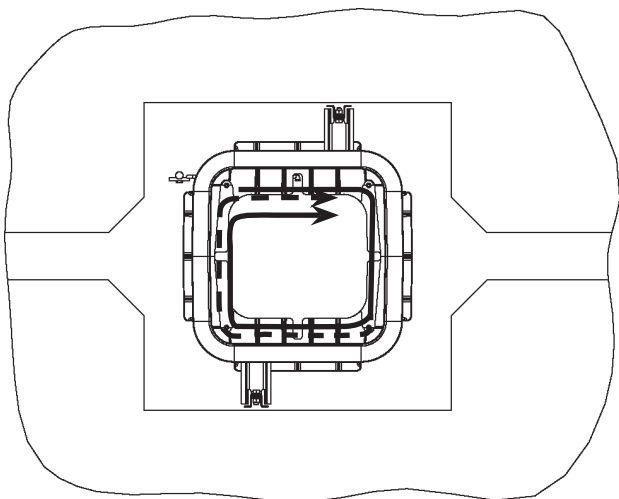
Step #12a Position conduit so that it enters the small base at one of the inside corners.



Step #12b Cut the conduit roughly 1" from the ground surface.

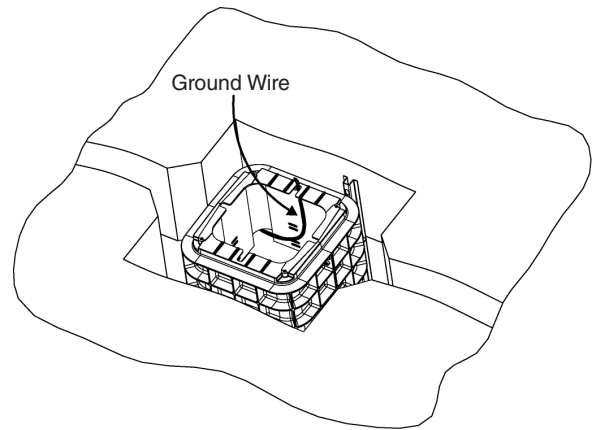


Step #13 Route cables in the base in the same direction as shown.

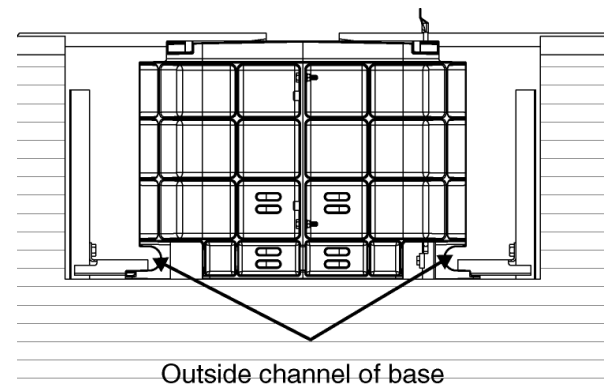


Securing Small Base

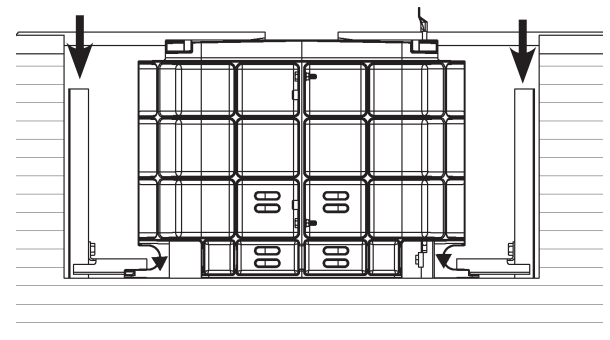
Step #14 Make sure the ground wire enters the base in the corner opening and is flush against the inside wall of the base.



Step #15 Position base in hole so that the anchor plates of the stakes are positioned within the outside channel of base.

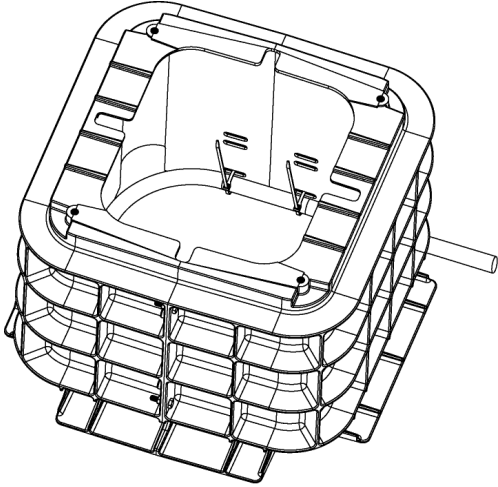


Step #16 Drive stakes until the base is captured by the anchor plates of the stakes and remove driver cap from stakes.

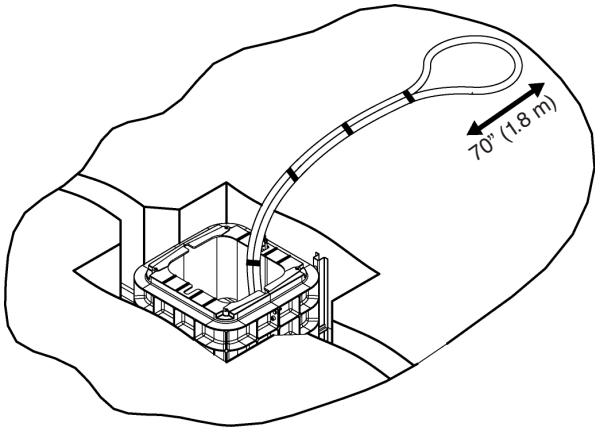


Cable and Endplate Preparation

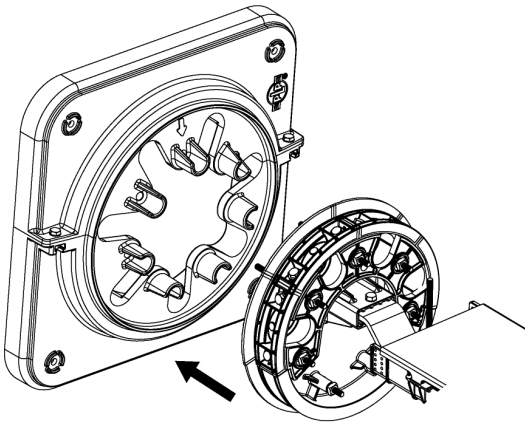
Step #17 OPTIONAL STEP: Secure cable with cable ties.



Step #18 Tape cable legs together approximately every 1-1/2ft. Stop taping about 70" (1.8 m) from the end of the cable loop.

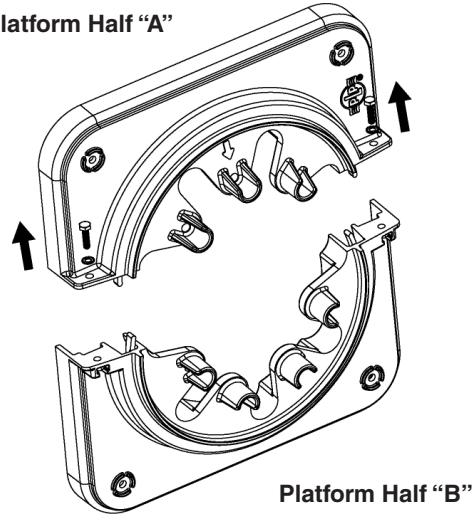


Step #19 Remove platform from end plate.



Step #20 Disassemble the platform halves by removing bolts and lock washers

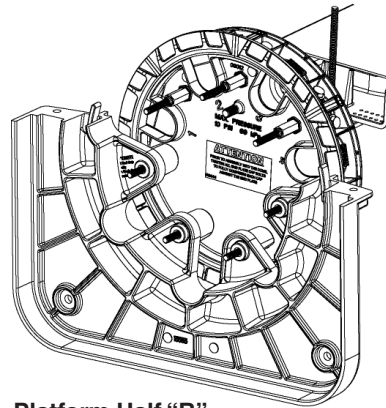
Platform Half "A"



Platform Half "B"

Step #21 OPTIONAL STEP

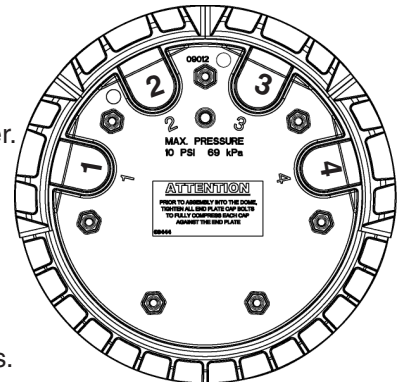
Attach the Platform Half "B" to the end plate in the position shown below to use as a stabilizer while working on the end plate.



Platform Half "B"

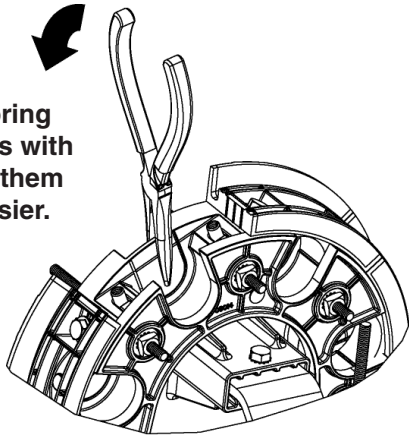
Step #22 Determine which cable ports will be used and mark the respective breakout tabs of end plate.

NOTE: Use cable ports 1 & 4 for expressed ribbon cable for the Universal Organizer. Use cable ports 2 & 3 for expressed buffer tube cable for the Universal, Cross-Connect, & Max Tray and Storage Organizers.

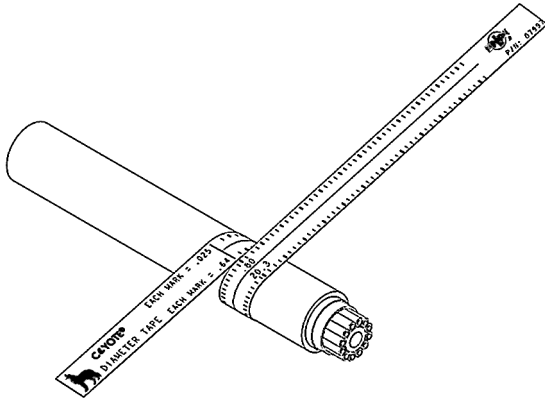


Step #23 Remove the end plate caps from the selected cable ports and break out the tabs.

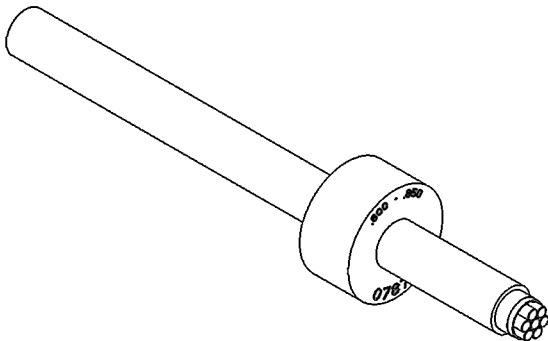
PLP Tip: Scoring edges of tabs with knife makes them break out easier.



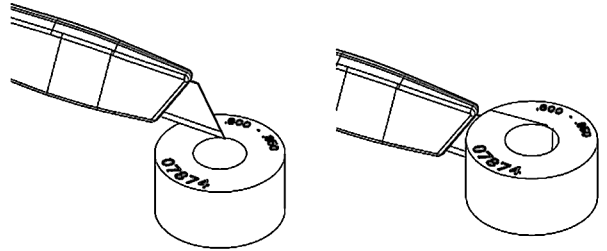
Step #24 Measure cable to determine diameter and hole location to use in grommet.



Step #25 If using cut cable, insert cable through grommet. If your application requires express cable, see Step 26 for grommet slitting procedure.



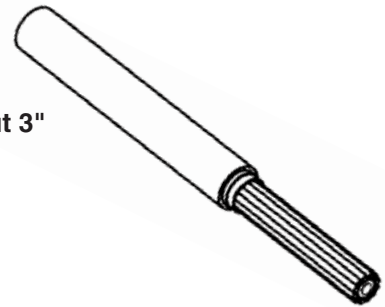
Step #26 Grommet Slitting – If slitting is required, lay grommet on a stable flat surface. Position utility knife with the cutting edge against the top surface and cut through grommet. **Consult grommet chart on page 2 for slitting locations of all grommets.**



PLP Tip: Use a pen to sketch slitting lines on top surface of grommet prior to cutting.

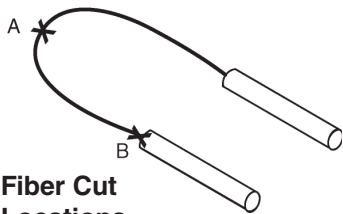
Step #27a Cable preparation for loose tube or ribbon cables.

PLP Tip: Leave about 3" (8 cm) of strength member to trim later.



28" GLC Organizer	Measurement
Universal Organizer	96" (2.4 m)
Max Tray and Storage Organizer	96" (2.4 m)
Cross-Connect Organizer	112" (2.8 m)

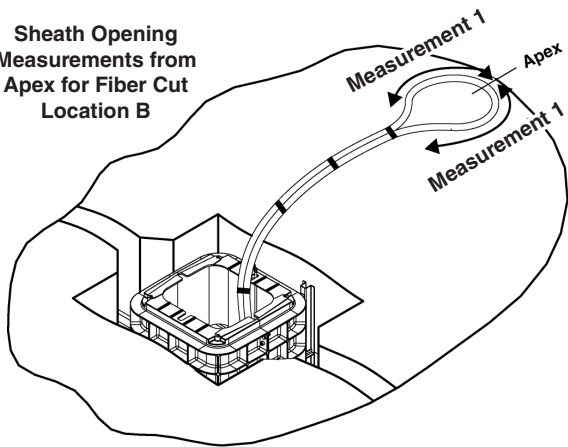
Step #27b Determine fiber cut location and measure sheath opening for loose tube or ribbon cables.



PLP Tip: Leave about 3" (8 cm) of strength member to trim later.

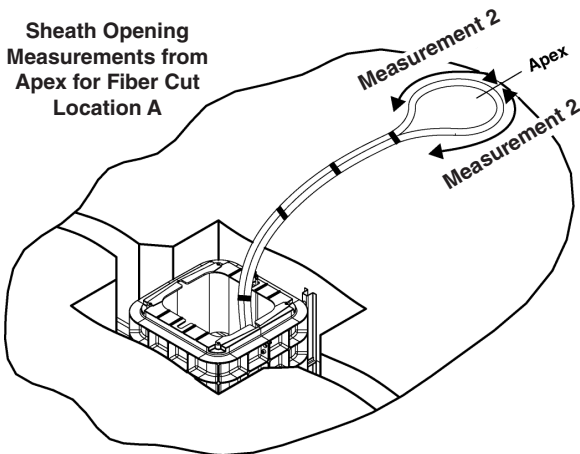
Fiber Cut Locations

Sheath Opening Measurements from Apex for Fiber Cut Location B



28" GLC Organizer	Measurement 1
Universal Organizer	48" (1.2 m)
Max Tray and Storage Organizer	48" (1.2 m)
Cross-Connect Organizer	56" (1.4 m)

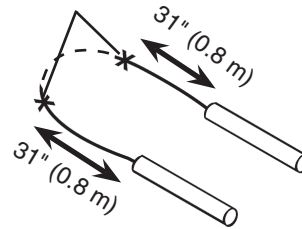
Sheath Opening Measurements from Apex for Fiber Cut Location A



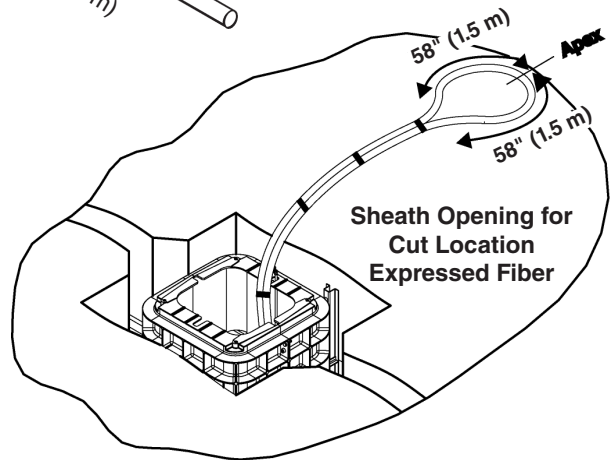
28" GLC Organizer	Measurement 2
Universal Organizer	75" (1.9 m)
Max Tray and Storage Organizer	75" (1.9 m)
Cross-Connect Organizer	N/A

Step #27c Measure sheath opening for expressed fiber (buffer tube window cut) applications

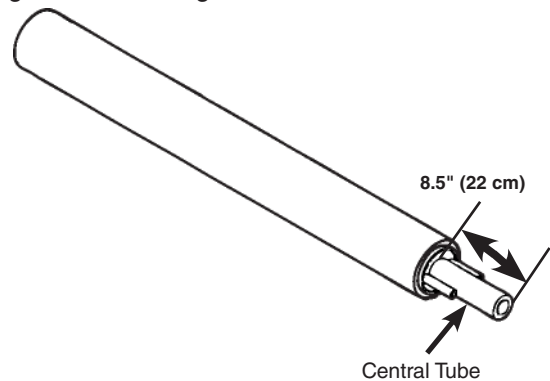
Window cut locations for buffer tube(s)



PLP Tip: Leave about 3" (8 cm) of strength member to trim later.

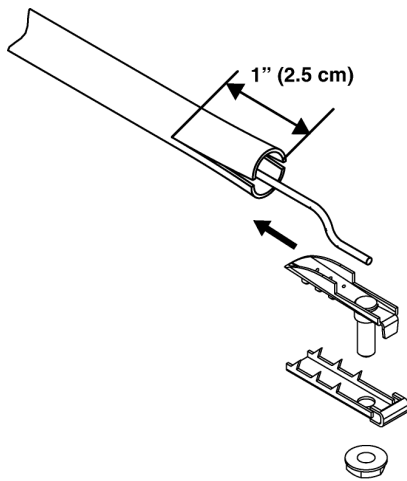


Step #28 For ribbon feeder cables, leave 6.5" (17 cm) of the central tube from the sheath opening when removing the central tube.

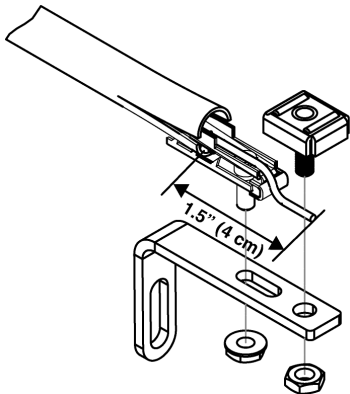


Cable Preparation for Armored Cables

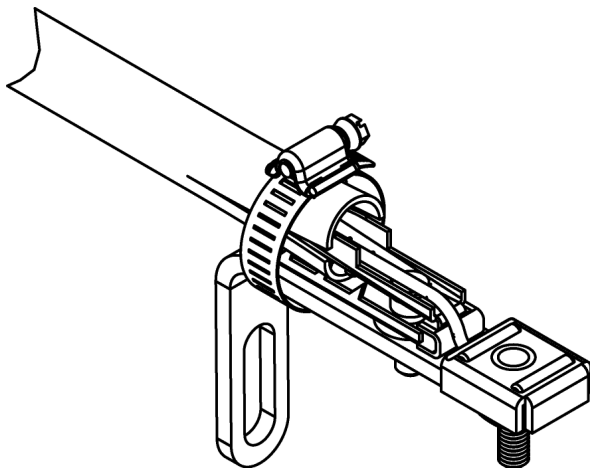
Step #29 Split sheath and armor 1" from the sheath opening and insert shield connector.



Step #30 Install the stud of the shield connector through the slot of the strength member bracket and secure with nut. Trim cable strength member(s) to 1.5" (4 cm). Secure cable strength member(s) under cap and tighten nut.

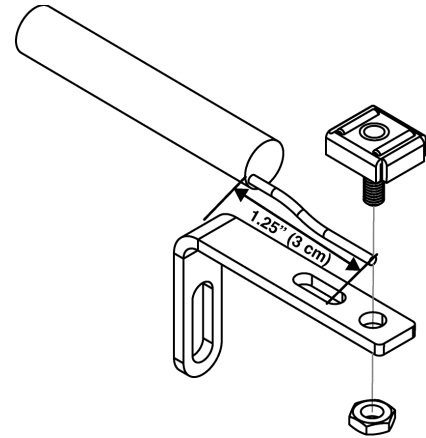


Step #31 Secure cable sheath with hose clamp.

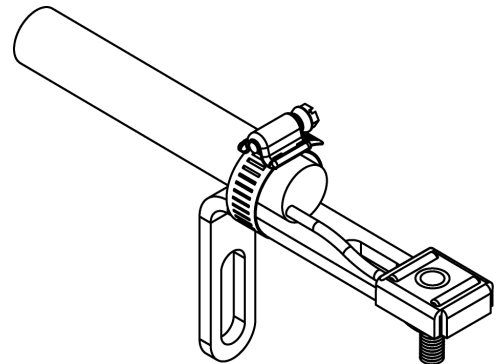


Cable Preparation for Dielectric (Non-Armored) Cables

Step #32 Trim cable strength member(s) to 1.25" (3 cm). Secure cable strength member(s) under cap and tighten nut.

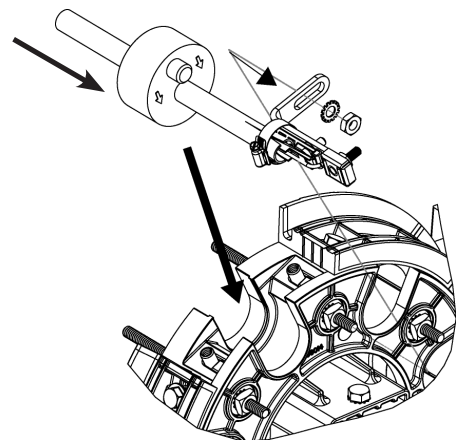


Step #33 Secure cable sheath with hose clamp.



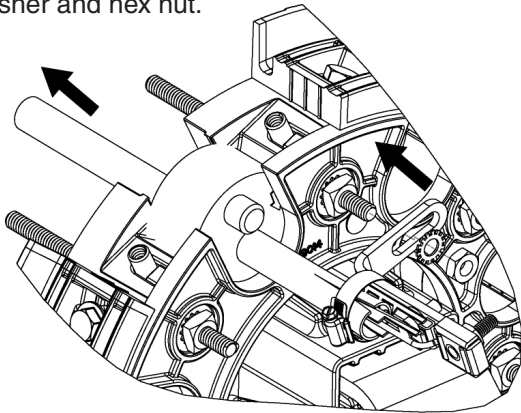
Grommet Installation into End Plate

Step #34 Push cable in grommet and position grommet in end plate slot.



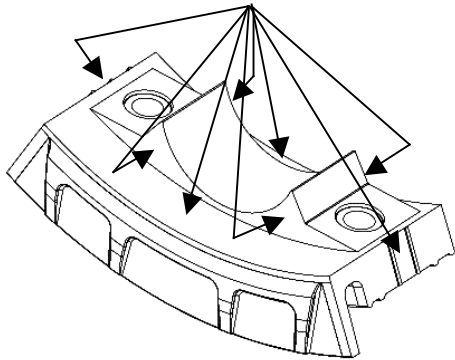
Ribbon Applications for Universal Organizer

Step #35 Pull cable out of grommet and position cable strength member bracket onto grounding stud. Secure bracket to stud with external tooth lock washer and hex nut.



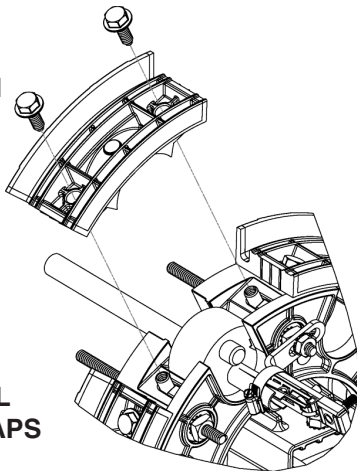
Step #36 Re-lubricate the cable cap with the silicone lubricant provided.

SURFACES TO BE LUBRICATED



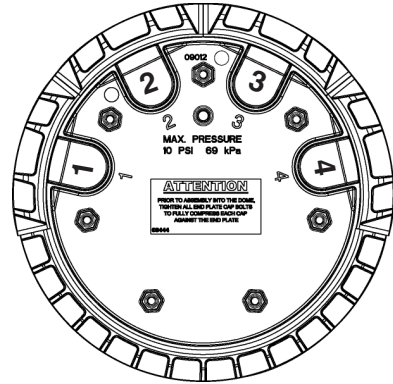
Step #37 Install cable cap and secure with hex bolts.

NOTE: Tighten bolts by hand evenly until cable cap is fully seated (DO NOT USE POWER TOOLS TO TIGHTEN BOLTS).

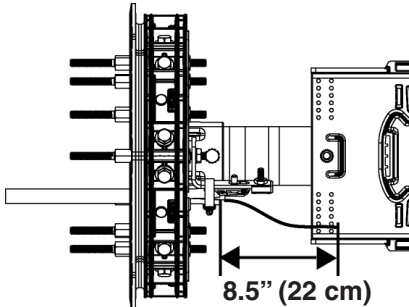


NOTE: TIGHTEN ALL UNUSED CABLE CAPS

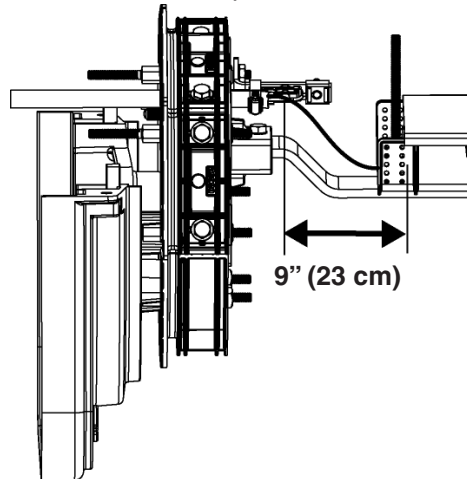
Reminder: Use cable ports 1 & 4 for expressed cable and 2 & 3 for branch and/or drop cables.



Step #38 When using cable ports 1 and 4, route and secure central tube of unitube cables to transition compartment with tie wraps.

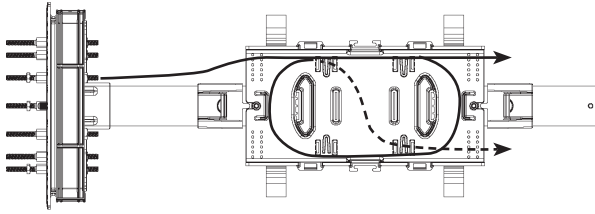


Step #39 When using cable ports 2 and 3, use a 9" (23 cm) piece of transition tube to route fiber onto transition tray. Secure transition tube to transition compartment with tie wraps.

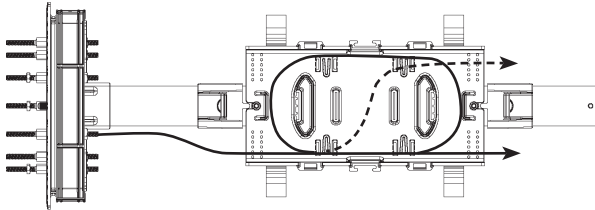


Step #40 Route fiber within transition tray.

INCOMING FIBER

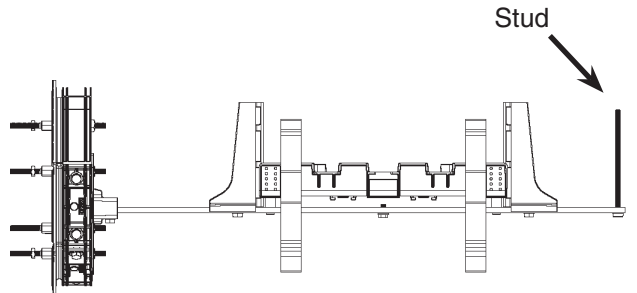


OUTGOING FIBER



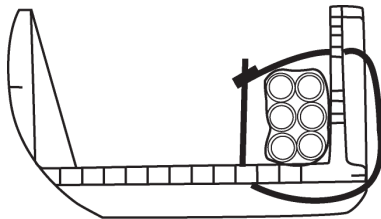
Universal Organizer

PLP TIP: Place a piece of transition tubing over stud to prevent damage to buffer tubes.



Step #41 Insert fibers to be routed to splice trays into transport tubes and secure to transition compartment.

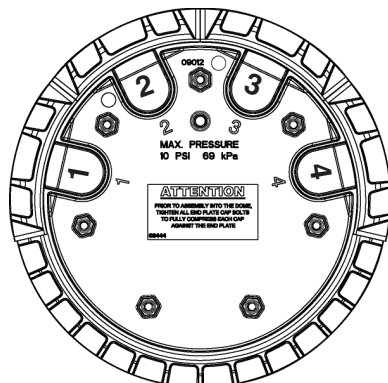
PLP Tip: For ease of handling, group the transition tubes in multiples of six.



Skip to Step #43 for Ribbon Applications

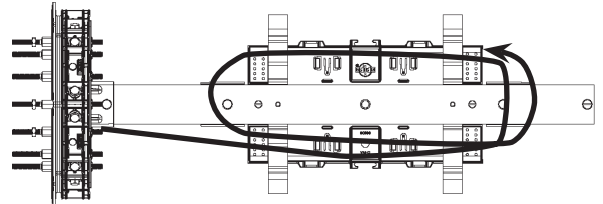
Buffer Tube/Loose Tube Applications for Universal, Cross-Connect, and Max Tray and Storage Organizers

NOTE: Use cable ports 2 & 3 for expressed cable and 1 & 4 for branch and/or drop cables.

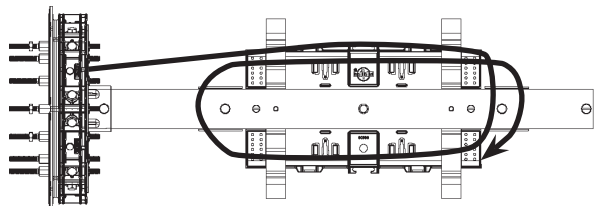


Step #42a Route and store buffer tubes in storage brackets. If routing in side storage brackets, see **Step #42e.**

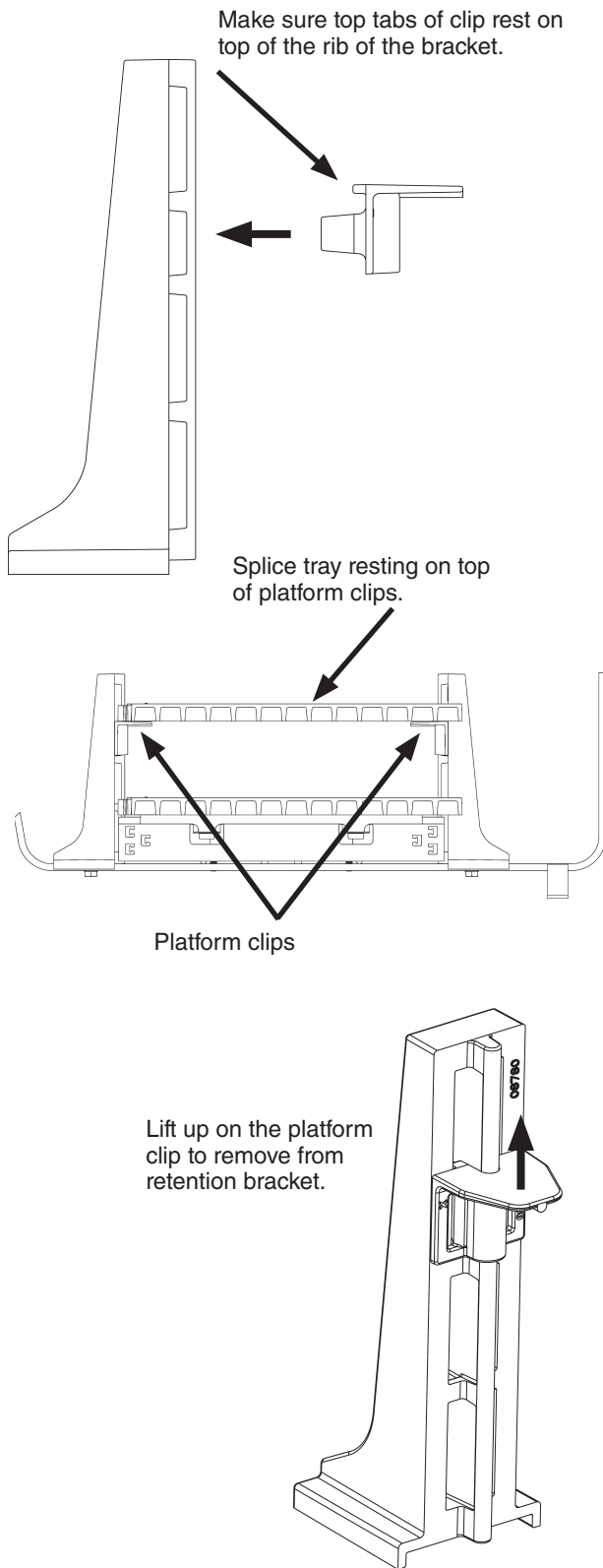
INCOMING BUFFER TUBE UP TO SPLICE TRAY



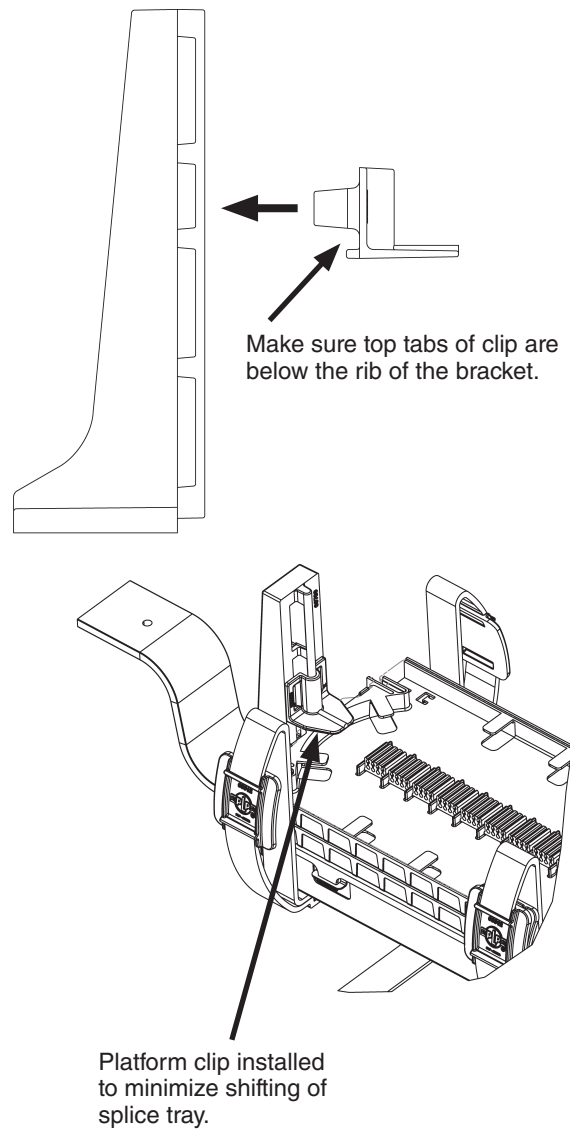
OUTGOING BUFFER TUBE UP TO SPLICE TRAY



Step #42b To improve splice tray accessibility, install platform clips onto tray retention brackets to raise splice tray.



PLP Tip: Platform clips can be installed upside down on tray retention brackets to minimize shifting of splice trays in case strap comes undone.

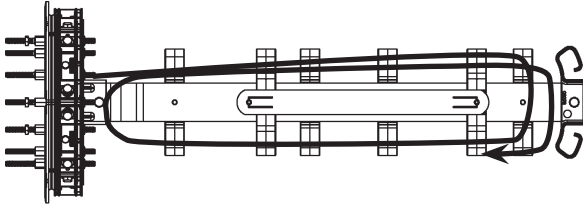


Skip to Step #42f

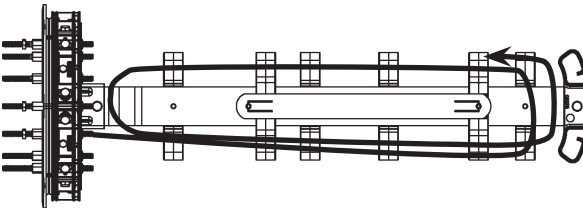
Cross-Connect Organizers

Step #42c Route and store buffer tubes in storage brackets.

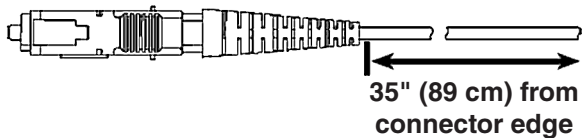
INCOMING BUFFER TUBE



OUTGOING BUFFER TUBE



Step #42d Measure and mark pigtails for Cross-Connect.

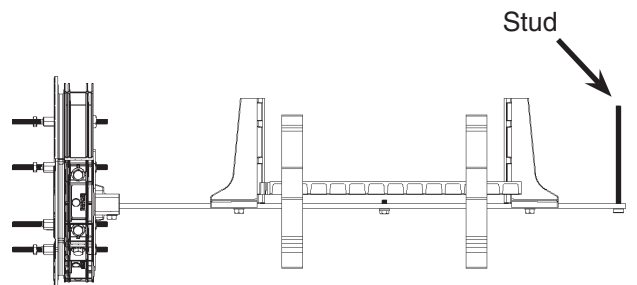


Remove the pigtail jacket and KEVLAR® yarn beyond this mark.

Skip to Step #43

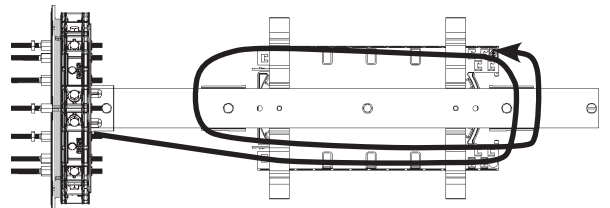
Max Tray & Storage Organizer

PLP TIP: Place a piece of transition tubing over stud to prevent any damage to buffer tubes.

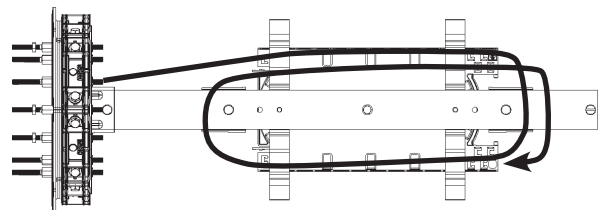


Step #42e Route and store buffer tubes in storage brackets. If routing in side storage brackets, see Step #42f.

INCOMING BUFFER TUBE

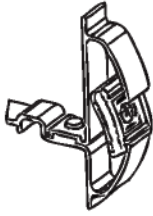


OUTGOING BUFFER TUBE

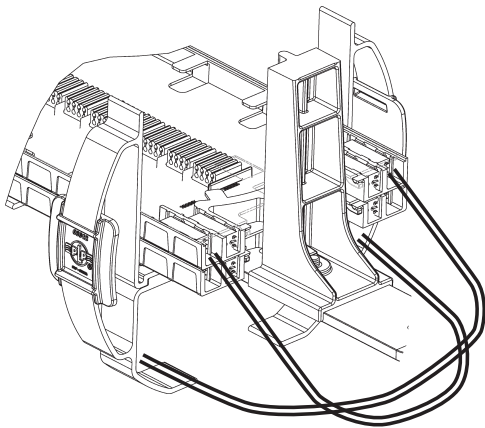


Refer to Step 42b for platform clip installation

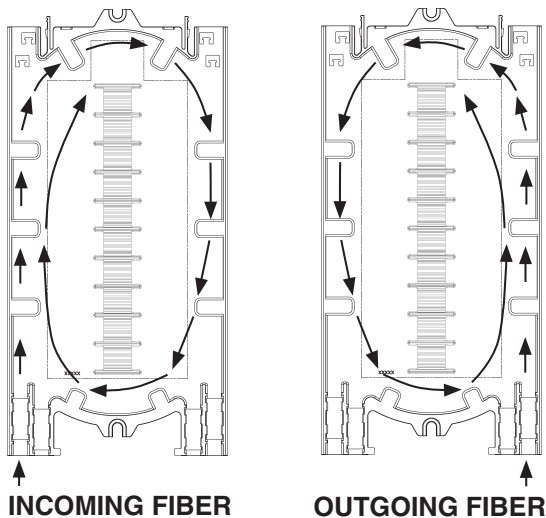
Step #42f To install retainer clip, position the bottom slot of the retainer clip onto the bottom of the bracket. Tilt retainer clip forward until the top of the bracket snaps into the top slot of the retainer clip.



Step #43 Route transport tubes and/or buffer tubes to splice trays and secure.

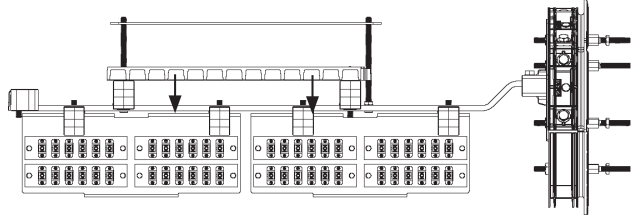


Step #44 Route incoming and outgoing fibers or pigtails and splice per standard company practice.



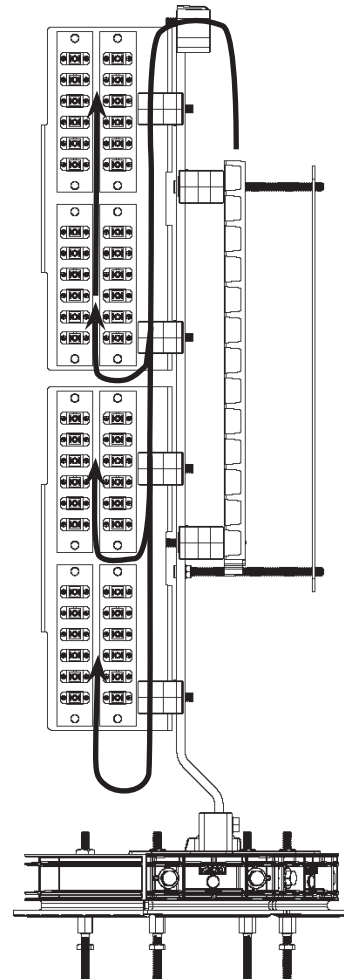
Step #45 Secure splice tray(s) with strap.

NOTE: The Universal and Max Tray and Storage Organizer use a strap to secure the splice trays.



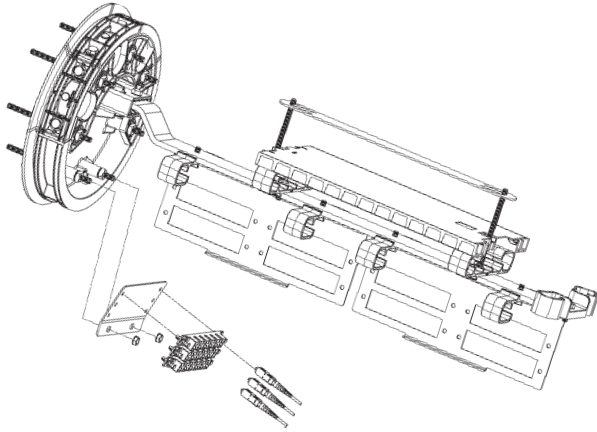
Routing Pigtails in Cross-Connect Organizer

Step #46 Install adapter plate(s) and route pigtails to adapters as shown below.



Step #47 OPTIONAL STEP

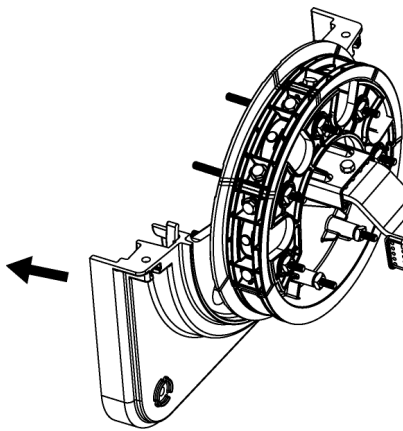
Secure parking lot mounting plate to studs. Attach connector parking lot(s) to plate and store connector(s) in parking lot(s) when service is not required.



Platform Installation

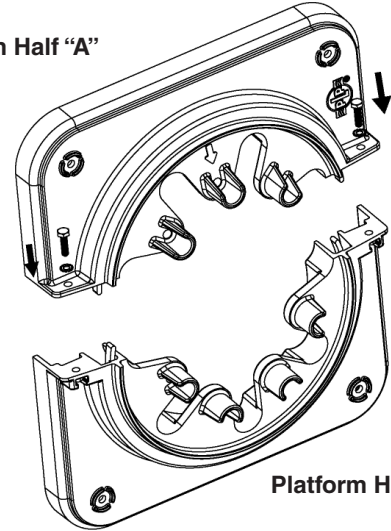
Step #48 OPTIONAL STEP

Remove Platform Half "B" from end plate if used to stabilize the end plate while working on the organizer.



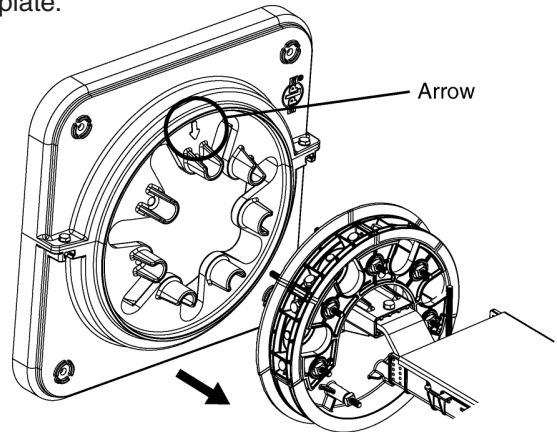
Step #49 Insert square nuts in Platform Half "B" and re-assemble the platform halves around cables with bolts and lock washers.

Platform Half "A"



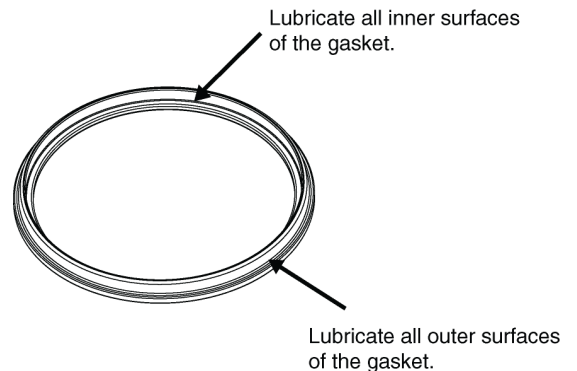
Platform Half "B"

Step #50 Assemble platform to end plate with nuts and lock washers. Make sure the arrow on the platform is lined up with the air valve of the end plate.

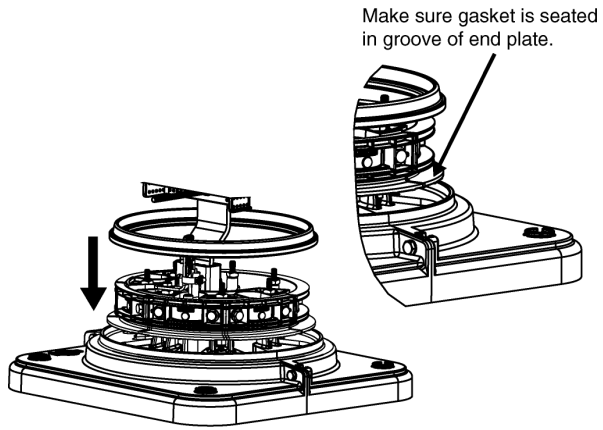


Dome Preparation & Installation

Step #51 Lubricate all inner and outer surfaces around gasket with silicone lubricant to ease assembly and closure re-entry.

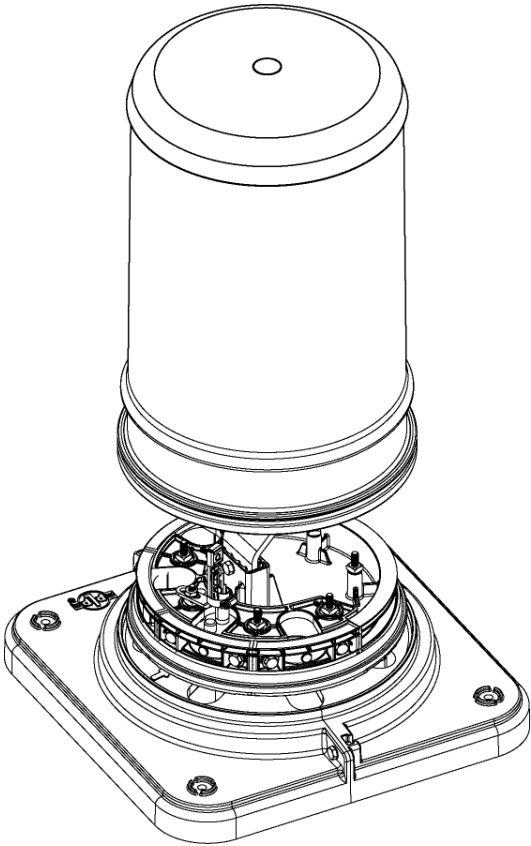


Step #52 Slide end plate gasket onto end plate and press into groove.

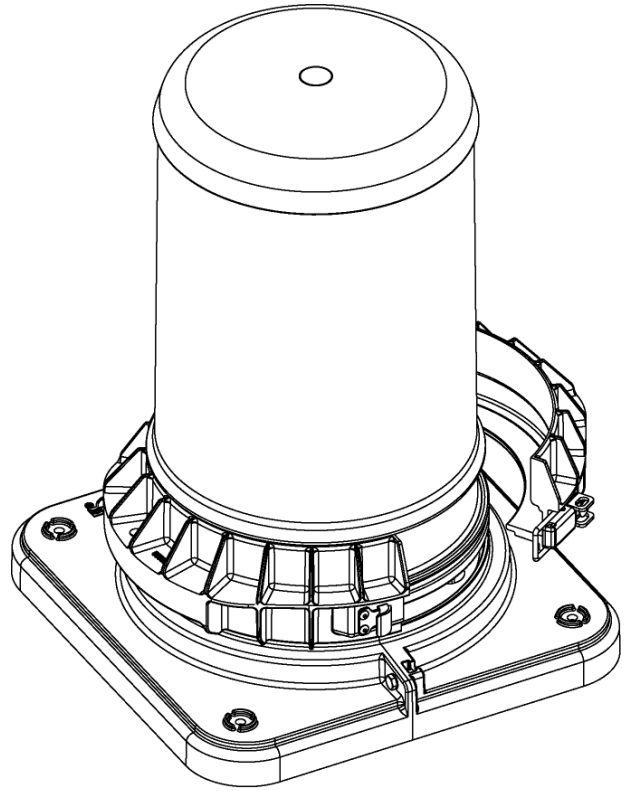


Step #53 Re-tighten all cable cap bolts (Step #37) to assure that the cable caps are fully seated.

Step #54 Position dome over end plate.



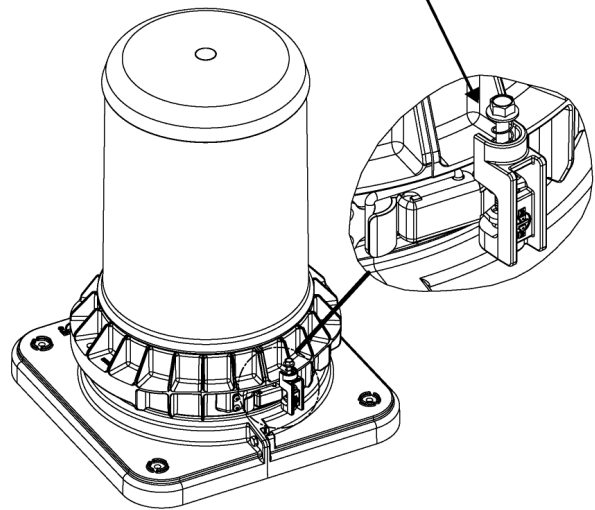
Step #55 Install dome collar and secure with latch.



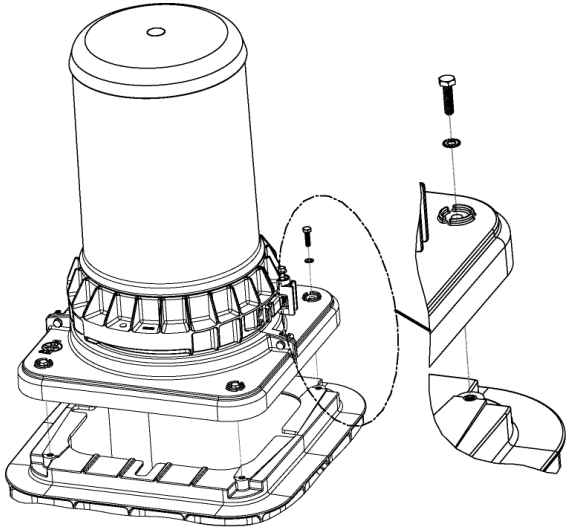
Step #56 **OPTIONAL STEP**

Secure the dome collar lock assembly to the latch of collar to prevent tampering.

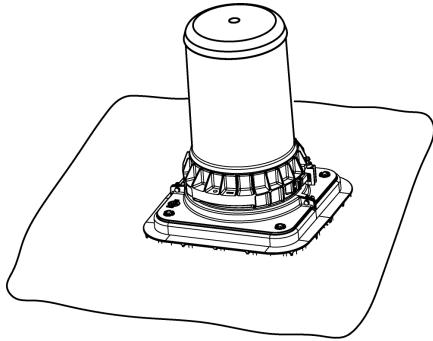
IMPORTANT NOTE: Only a can wrench can be used to secure or loosen bolt. Standard socket heads will not fit into lock assembly.



Step #57 Secure platform to base with bolts and lock washers.

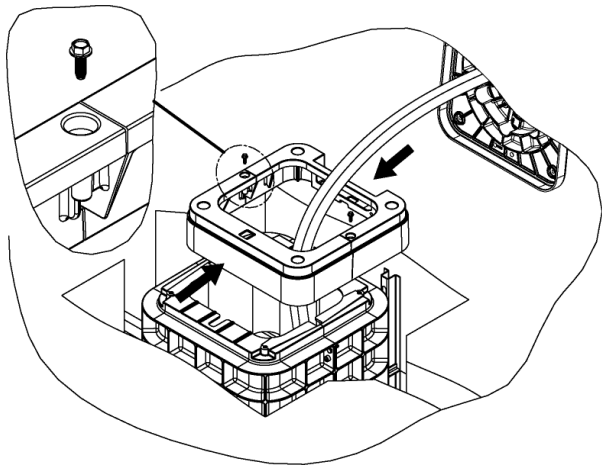


Step #58 Backfill the hole and trench per your standard company practice, unless a spacer is required (**See Spacer Installation**).

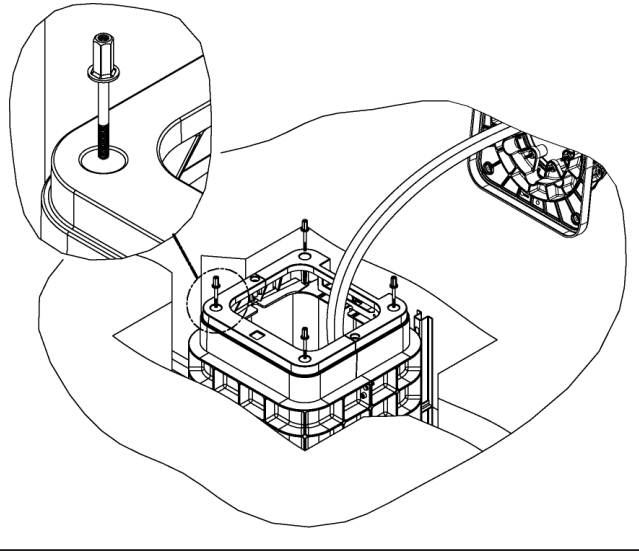


Spacer Installation (If Required)

Step #59 Place spacer halves around cables and secure together with self tapping screws and lock washers.

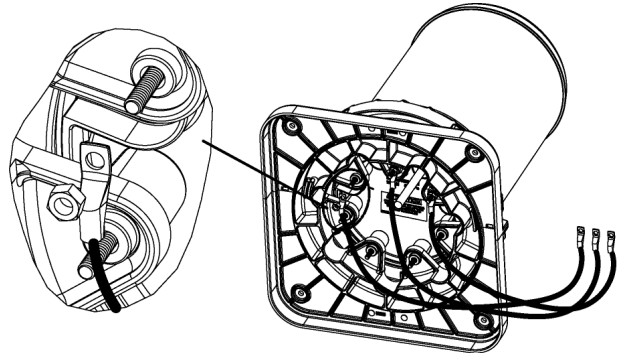


Step #60 Secure spacer to base with spacer studs.

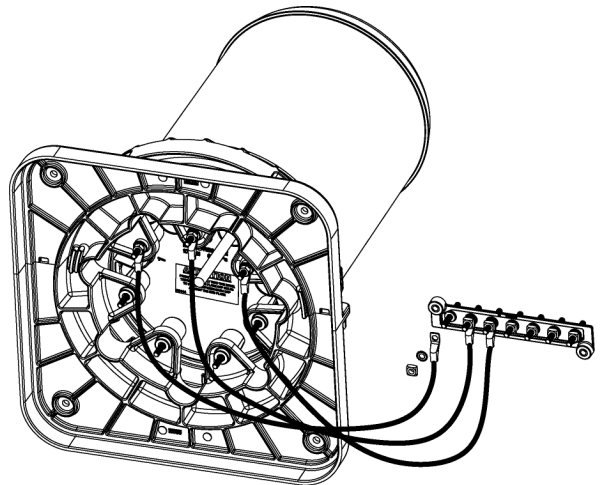


Skip to Step #67 if Installing a Standard Spacer

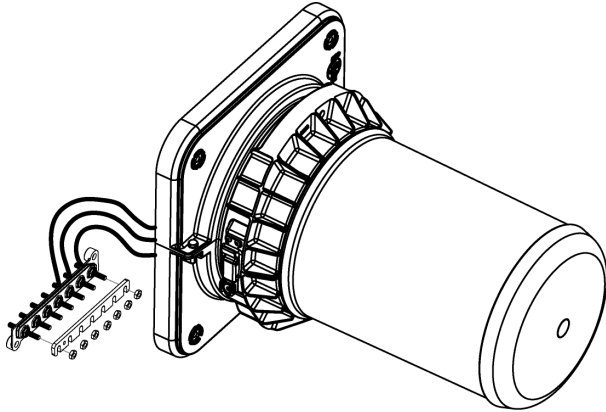
Step #61 Attach ground leads to studs of endplate in which bond connections have been made to inside the closure.



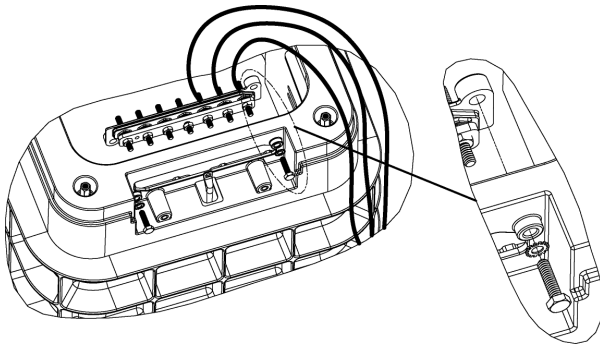
Step #62 Attach opposite ends of ground leads to the inside studs of the grounding plate.



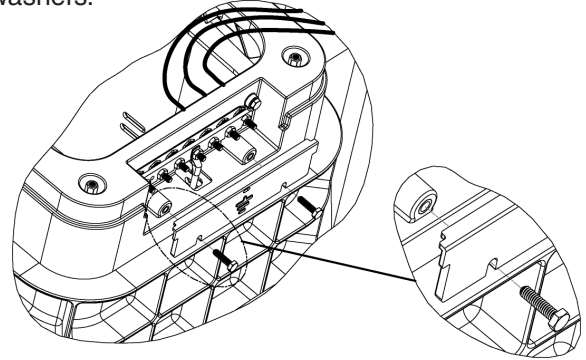
Step #63 Install removable buss bar to outer studs of the grounding plate.



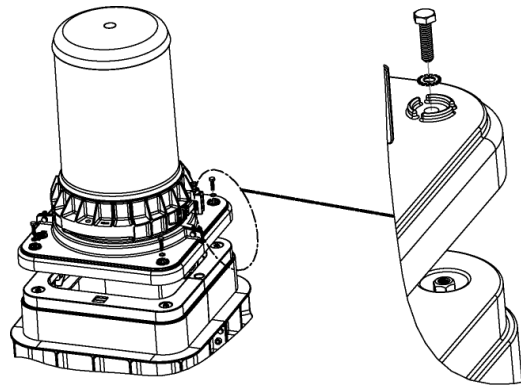
Step #64 Install grounding plate(s) to grounding spacer half or halves with bolts and lock washers.



Step #66 Install removable access plate(s) to grounding spacer half or halves with bolts and lock washers.

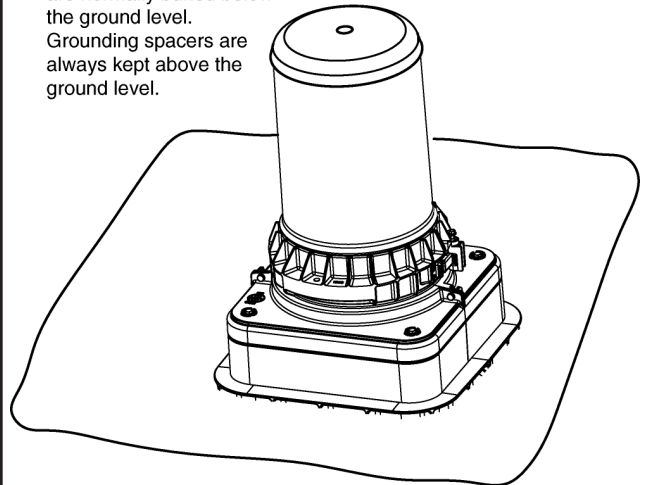


Step #67 Secure platform to spacer with bolts and lock washers.



Step #68 Backfill the hole and trench per your standard company practice.

NOTE: Standard spacers are normally buried below the ground level. Grounding spacers are always kept above the ground level.



SAFETY CONSIDERATIONS

This application procedure is not intended to supersede any company construction or safety standards. This procedure is offered only to illustrate safe application for the individual. **FAILURE TO FOLLOW THESE PROCEDURES MAY RESULT IN PERSONAL INJURY OR DEATH.**

Do not modify this product under any circumstances.

This product is intended for use by trained technicians only. **This product should not be used by anyone who is not familiar with, and not trained to use it.**

When working in the area of energized lines, extra care should be taken to prevent accidental electrical contact.

For proper performance and personal safety, be sure to select the proper size PREFORMED™ product before application.

PREFORMED products are precision devices. To insure proper performance, they should be stored in cartons under cover and handled carefully.



PREFORMED LINE PRODUCTS

P.O. Box 91129, Cleveland, Ohio 44101 • 440.461.5200 • www.preformed.com • e-mail: inquiries@preformed.com