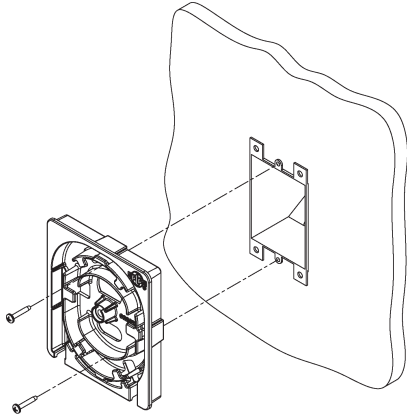




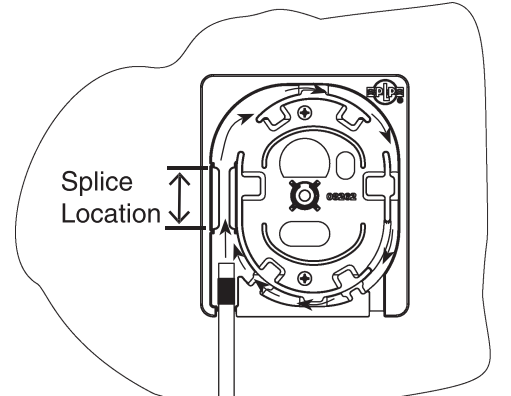
## COYOTE® Fiber Wall Plate - Splice/Store

Be sure to read and completely understand this procedure before applying product. Be sure to select the proper PREFORMED product before application.

**Step #1** Mount Wall Plate base to surface.



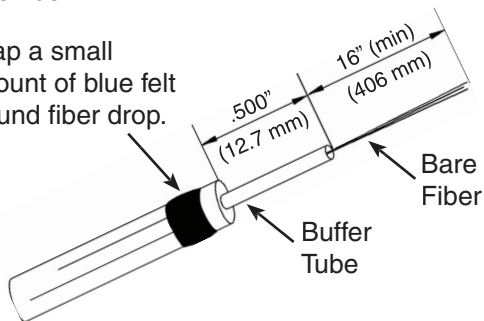
**Step #4** Route bare fiber around outer channel and back to splice location.



**Step #2** Prepare fiber drop.

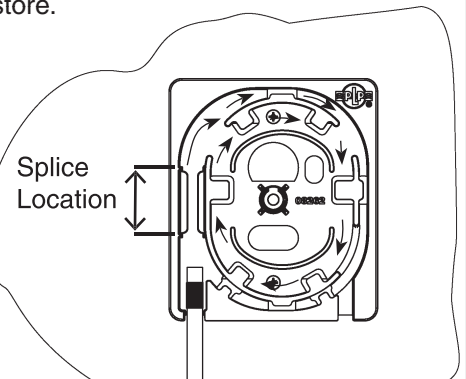
Trim back buffer tube to expose bare fiber.

Wrap a small amount of blue felt around fiber drop.

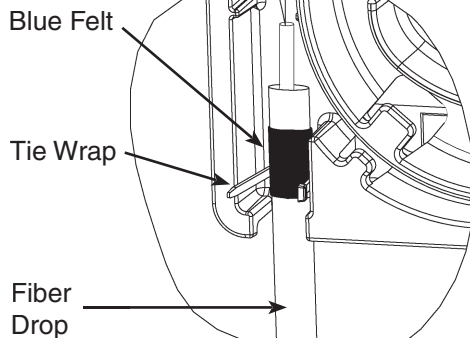


**Step #5** Splice bare fiber to fiber pigtail and route pigtail around inner channel to store.

Base can store a maximum pigtail length of 6 ft. (1.8 m)



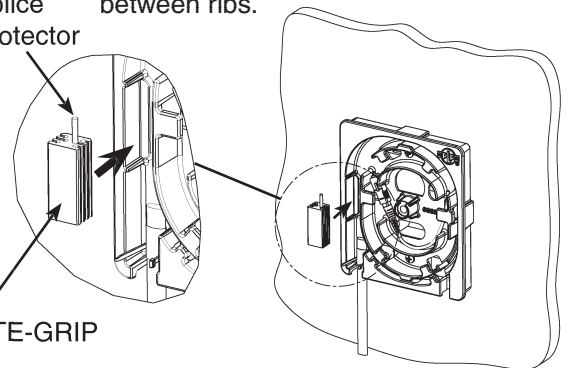
**Step #3** Secure fiber drop into base with tie wrap.



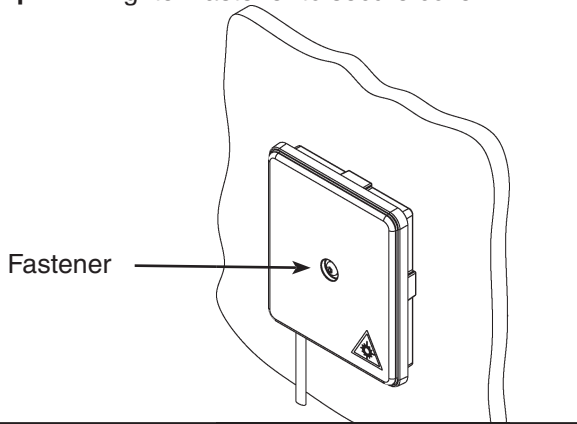
**Step #6** Insert splice protector into center slot of LITE-GRIP™ and insert into base between ribs.

Splice Protector

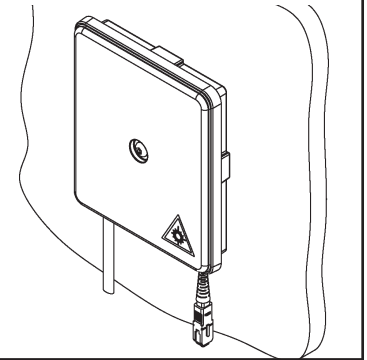
LITE-GRIP



**Step #7** Tighten fastener to secure cover.



**Step #8** To remove pigtail, remove cover, route pigtail through opening and reinstall cover.



## SAFETY CONSIDERATIONS

This application procedure is not intended to supersede any company construction or safety standards. This procedure is offered only to illustrate safe application for the individual. **FAILURE TO FOLLOW THESE PROCEDURES MAY RESULT IN PERSONAL INJURY OR DEATH.**

**Do not modify this product under any circumstances.**

This product is intended for use by trained technicians only. **This product should not be used by anyone who is not familiar with, and not trained to use it.**

When working in the area of energized lines, extra care should be taken to prevent accidental electrical contact.

For proper performance and personal safety, be sure to select the proper size PREFORMED™ product before application.

PREFORMED products are precision devices. To insure proper performance, they should be stored in cartons under cover and handled carefully.



# PREFORMED LINE PRODUCTS

P.O. Box 91129, Cleveland, Ohio 44101 • 440.461.5200 • [www.preformed.com](http://www.preformed.com) • e-mail: [inquiries@preformed.com](mailto:inquiries@preformed.com)

SP3031