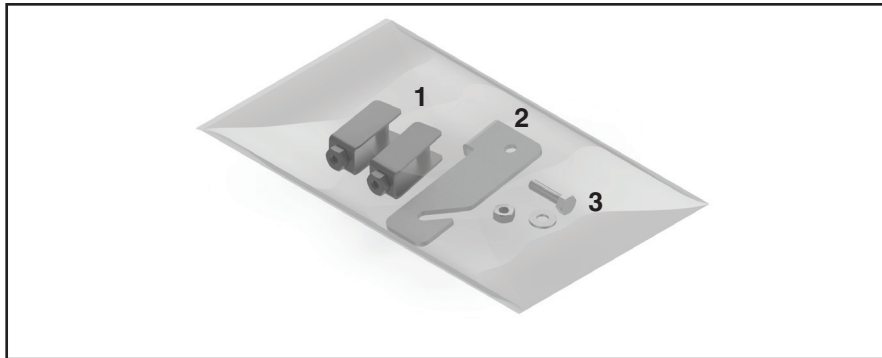




COYOTE® Dome 6.5" and 9.5" End Plate Adapter Brackets for FOSC™ 400 Work Stand

Be sure to read and completely understand this procedure before installing product. Be sure to select the proper PREFORMED™ product before installation.



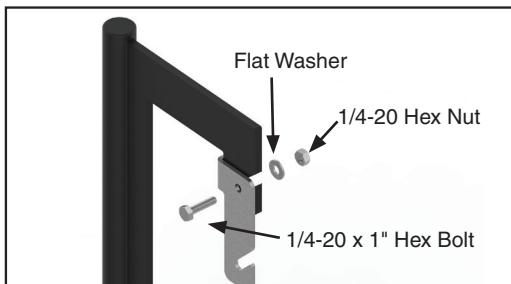
NOMENCLATURE

Catalog Number: 8004143

- 1. End Plate Mounting Adapters (2)
- 2. Dome 6.5" End Plate Mounting Extension (1)
- 3. Hardware for Dome 6.5" End Plate Mounting Extension (1)

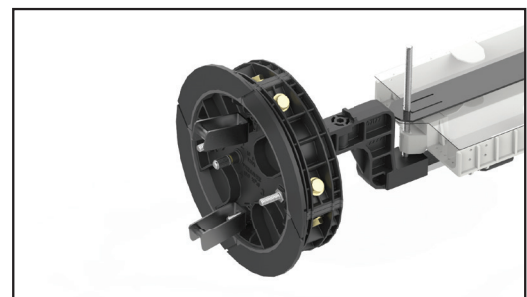
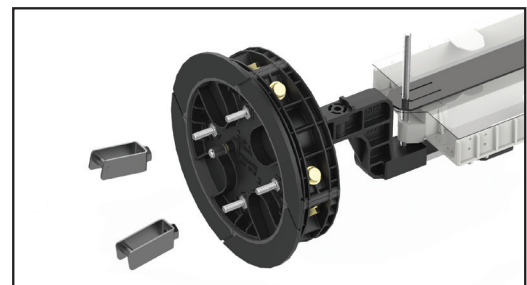
Dome 6.5" End Plate Mounting Application

Step #1 Align the hole of the 6.5" End Plate Mounting Extension with the top slot of the FOSC™ 400 Work Stand. As shown below, use the same order for the hardware provided, and tighten the bolt and nut.

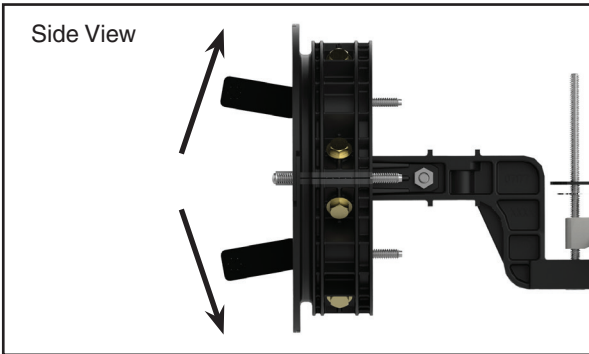


Step #2 Align the End Plate Mounting Adapters to the End Plate Studs and screw on clockwise.

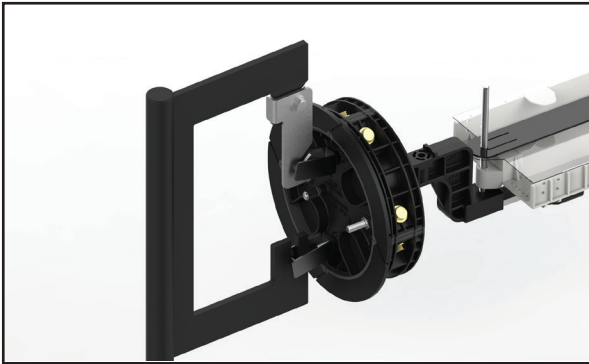
NOTE: The End Plate Mounting Adapters need to be on opposing grounding studs, across from one another, for it to function properly with the FOSC™ 400 Work Stand. Ports 2 and 4 are recommended for ease of use during cable installation, as seen below.



Step #3 Make sure the angles of the End Plate Mounting Adapters are facing away from the center of the End Plate.



Step #4 Align the End Plate Mounting Adapters with the 6.5" End Plate Mounting Extension slot (on top) and the FOSC 400 Work Stand slot (on bottom).



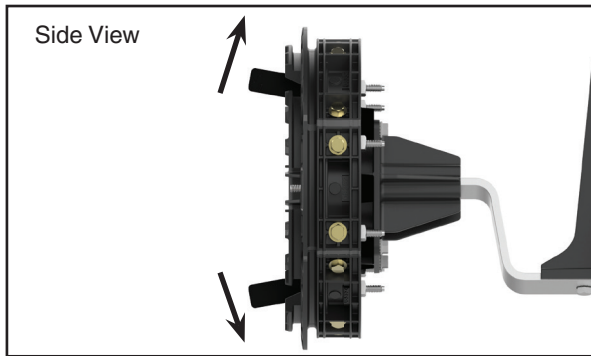
Dome 9.5" End Plate Mounting Application

Step #1 Align the End Plate Mounting Adapters to the End Plate Studs and screw on clockwise.

NOTE: Once the first End Plate Mounting Adapter is applied, the second needs to be applied to a grounding stud three or four positions away, for it to function properly with the FOSC™ 400 Work Stand.



Step #2 Make sure the angles of the End Plate Mounting Adapters are facing away from the center of the End Plate.



Step #3 Align the End Plate Mounting Adapters with the top and bottom slots of the FOSC™ 400 Work Stand.

NOTE: Due to the uneven number of ports (7), the 9.5" End Plate and Organizer will not align parallel with the work area.



SAFETY CONSIDERATIONS

This application procedure is not intended to supersede any company construction or safety standards. This procedure is offered only to illustrate safe application for the individual.

FAILURE TO FOLLOW THESE PROCEDURES MAY RESULT IN PERSONAL INJURY OR DEATH.

Do not modify this product under any circumstances.

This product is intended for use by trained technicians only. **This product should not be used by anyone who is not familiar with, and not trained to use it.**

When working in the area of energized lines, extra care should be taken to prevent accidental electrical contact.

For proper performance and personal safety, be sure to select the proper size PREFORMED product before application.

PREFORMED products are precision devices. To insure proper performance, they should be stored in cartons under cover and handled carefully.



PREFORMED LINE PRODUCTS

P.O. Box 91129, Cleveland, Ohio 44101 • 440.461.5200 • www.prefomed.com • e-mail: inquiries@prefomed.com
SP3425