

COYOTE® DOME CLOSURE

9.5" X 19" AND 9.5" X 28"

The **COYOTE 9.5" Dome Closure** offers two length options of 19" and 28" to support either buffer tube or ribbon fiber applications. These closures utilize PLP's patented segmented end plate design, which allows for easy installation of a variety of cable sizes in conjunction with the grommets.

FEATURES AND BENEFITS

- 7-Port segmented end plate design provides independent access to each cable port without disrupting surrounding cables
- Tray design allows the removal from the stack to enable multiple splicers to work simultaneously
- Multiple tray designs support mass fusion splicing, single fusion splicing, or a combination of both
- Flexible grommet sealing technology supports a wide range of flat and round cable profiles
- Designed and tested in accordance with Telcordia® GR-771-CORE Buried, Underground, IP-68 Rated Requirements

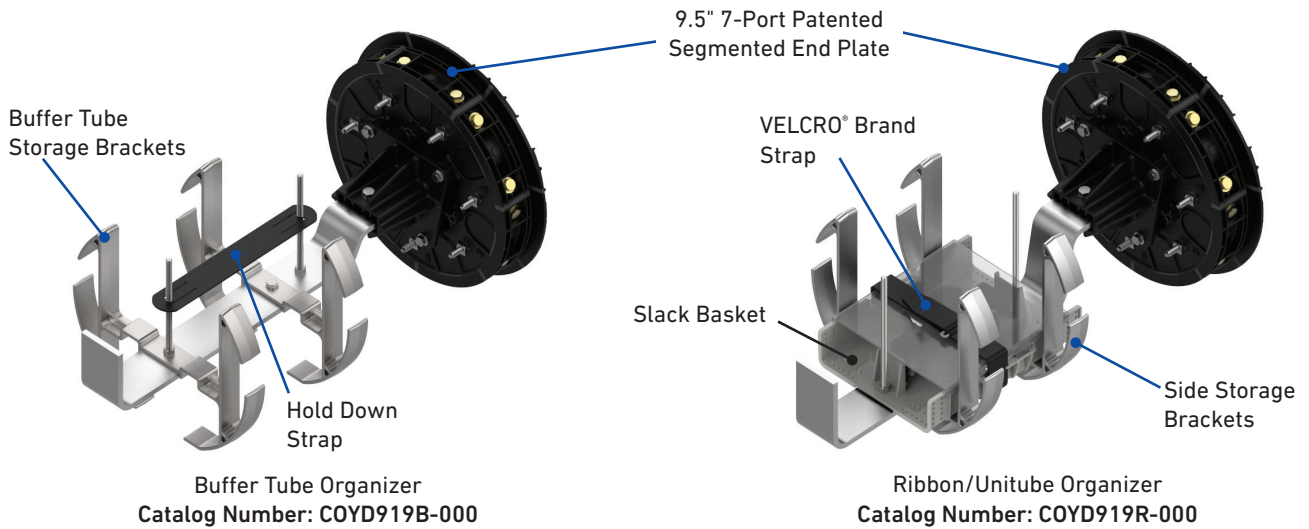
COYOTE® 9.5" X 19" DOME CLOSURE

Specifications	Buffer	Ribbon
Catalog Number	COYD919B-000	COYD919R-000
Splice Capacity (Maximum) – Single Fusion (Low Profile, 80809958), Single Fusion (Low Profile, 80813152), Single Fusion (Deep Profile, 80808945), Mass Fuson (Deep Profile, LGSTR144)	288, 432, 240, N/A	288, 432, 240, 864
Number of Splice Trays – 80809958, 80813152, 80808945, LGSTR144	12, 12, 6, N/A	12, 12, 6, 6
Cable Ports ¹	7	7
Cable Diameters	0.093" – 1.25" (2.4 – 31.8 mm) and Flat Drop	0.093" – 1.25" (2.4 – 31.8 mm) and Flat Drop
Ground Studs	7	7
Configuration	Butt	Butt
Application	Direct Bury, Below Grade, Pole/Wall, Aerial	Direct Bury, Below Grade, Pole/Wall, Aerial
Ingress Protection	In accordance with Telcordia® GR-771-CORE, Buried, Underground; IP-68	In accordance with Telcordia® GR-771-CORE, Buried, Underground; IP-68
Size ²	13.3" W x 20.4" L (338 x 509 mm)	13.3" W x 20.4" L (338 x 509 mm)

¹ Multi-hole grommets allow for more than one cable to enter each cable port.

² Outermost part of the assembly; includes the sealing collar.

COYOTE® 9.5" X 19" DOME CLOSURE ORGANIZER ASSEMBLIES



COYOTE 9.5" x 19" Dome Closure Kit Contents

Catalog Number	Description
COYD919B-000	COYOTE 9.5" x 19" Dome Closure for Buffer Tube – Includes (2) 1-Hole Grommets 0.60" – 0.85" (15.2 – 21.6 mm) and (2) 1-Hole Grommets 0.85" – 1.00" (21.6 – 25.4 mm)
COYD919R-000	COYOTE 9.5" x 19" Dome Closure for Ribbon – Includes (2) 1-Hole Grommets 0.60" – 0.85" (15.2 – 21.6 mm), (2) 1-Hole Grommets 0.85" – 1.00" (21.6 – 25.4 mm), and (1) Transition Tubing Kit

All kits include (1) COYOTE 9.5" End Plate with Organizer, (1) Dome, (1) Gasket, (1) Collar, (4) 1-Hole Grommets and Cable Restraint Hardware (Splice Trays and Hanger Brackets Sold Separately).

Telcordia® is a registered trademark of Telcordia Technologies, Inc., now part of Ericsson.

VELCRO® Brand is a registered trademark of Velcro BVBA.

CO-CA-1004-17



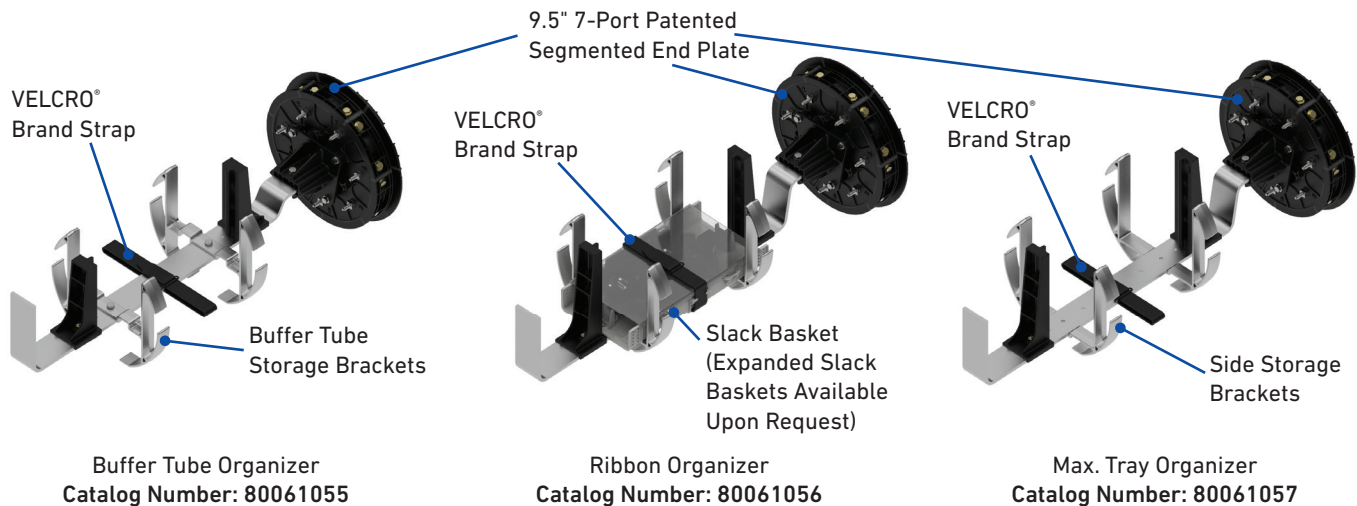
COYOTE® 9.5" X 28" DOME CLOSURE

Specifications	Buffer	Ribbon	Max Tray
Catalog Number	80061055	80061056	80061057
Splice Capacity (Maximum) – Single Fusion (Standard Profile, 80810086), Single Fusion (Deep Profile, LGSTS72), Mass Fusion (Deep Profile, LGSTR216)	360, 432, N/A	396, 576, 1728	540, 720, 2160
Number of Splice Trays – 80810086, LGSTS72, LGSTR216	10, 6, N/A	11, 8, 8	15, 10, 10
Cable Ports ¹	7	7	7
Cable Diameters	0.093" – 1.25" (2.4 – 31.8 mm) and Flat Drop	0.093" – 1.25" (2.4 – 31.8 mm) and Flat Drop	0.093" – 1.25" (2.4 – 31.8 mm) and Flat Drop
Ground Studs	7	7	7
Configuration	Butt	Butt	Butt
Application	Direct Bury, Below Grade, Pole/Wall, Aerial	Direct Bury, Below Grade, Pole/Wall, Aerial	Direct Bury, Below Grade, Pole/Wall, Aerial
Ingress Protection	In accordance with Telcordia® GR-771-CORE, Buried, Underground; IP-68	In accordance with Telcordia® GR-771-CORE, Buried, Underground; IP-68	In accordance with Telcordia® GR-771-CORE, Buried, Underground; IP-68
Size ²	13.3" W x 29.4" L (338 x 749 mm)	13.3" W x 29.4" L (338 x 749 mm)	13.3" W x 29.4" L (338 x 749 mm)

¹ Multi-hole grommets allow for more than one cable to enter each cable port.

² Outermost part of the assembly; includes the sealing collar.

ORGANIZER ASSEMBLIES



COYOTE 9.5" x 28" Dome Closure Kit Contents

Catalog Number	Description
80061055	COYOTE 9.5" x 28" Dome Closure for Buffer Tube – Includes (2) 1-Hole Grommets 0.60" – 0.85" (15.2 – 21.6 mm) and (2) 1-Hole Grommets 0.85" – 1.00" (21.6 – 25.4 mm)
80061056	COYOTE 9.5" x 28" Dome Closure for Ribbon – Includes (2) 1-Hole Grommets 0.60" – 0.85" (15.2 – 21.6 mm), (2) 1-Hole Grommets 0.85" – 1.00" (21.6 – 25.4 mm), (2) Transition Tubing Kit, and (2) Transport Tubing Kits
80061057	COYOTE 9.5" x 28" Dome Closure for Buffer Tube – Includes and (2) 1-Hole Grommets 0.60" – 0.85" (15.2 – 21.6 mm) and (2) 1-Hole Grommets 0.85" – 1.00" (21.6 – 25.4 mm)

All kits include (1) COYOTE 9.5" End Plate with Organizer, (1) Dome, (1) Gasket, (1) Collar, (4) 1-Hole Grommets and Cable Restraint Hardware (Splice Trays and Hanger Brackets Sold Separately).

Telcordia® is a registered trademark of Telcordia Technologies, Inc., now part of Ericsson.
VELCRO® Brand is a registered trademark of Velcro BVBA.

CO-CA-1004-17

ACCESSORIES AND MOUNTING BRACKETS

COYOTE 9.5" Dome Closure Accessories

Catalog Number	Description
80809958	Splice Tray, COYOTE LITE-GRIP® Short, Low Profile, 24 CT., Single Fusion
80813152	Splice Tray, COYOTE LITE-GRIP Short, Low Profile, 36 CT., Single Fusion
80808945	Splice Tray, COYOTE LITE-GRIP Short, Deep Profile, 40 CT., Single Fusion
LGSTR144	Splice Tray, COYOTE LITE-GRIP Short, Deep Profile, 144 CT., Mass Fusion
80810086	Splice Tray, COYOTE LITE-GRIP Long, Standard Profile, 36 CT., Single Fusion
LGSTS72	Splice Tray, COYOTE LITE-GRIP Long, Deep Profile, 72 CT., Single Fusion
LGSTR216	Splice Tray, COYOTE LITE-GRIP Long, Deep Profile, 216 CT., Mass Fusion
8004160	Heat Shrink Splice Protector Kit – Includes (50) 40 mm Mass Fusion
8004095	Heat Shrink Splice Protector Kit – Includes (50) 40 mm Single Fusion
8003717	Heat Shrink Splice Protector Kit – Includes (50) 60 mm Single Fusion
80061335	Deep Slack Basket (2.05" Deep) Kit for up to 576 Expressed Ribbon Applications
80061495	Deep Slack Basket (2.85" Deep) Kit for up to 864 Expressed Ribbon Applications
COYEPFIX1	End Plate Assembly Fixture for 6.5" and 9.5" Domes
80061477	Latching Collar and End Plate Gasket for 9.5" Domes
80061201	Breakaway Bonding Plate for 9.5" Domes
80809205	Strength Member Bracket Kit – Includes (2) Short L-Brackets
800015236	Strength Member Bracket Kit – Includes (3) Long L-Brackets and (3) Hose Clamps
80808651	Strength Member Bracket Kit – Includes (4) Long L-Brackets
80808878	Large Strength Member Adapter Kit
80811037	4-Port Cable Retention Bobbin Kit
80811036	6-Port Drop Cable Retention Bobbin Kit
80812928	6/8-Port Drop Cable Retention Bobbin Kit

COYOTE 9.5" Dome Closure Mounting Brackets

Catalog Number	Description
8003940	Aerial Mounting Bracket – Strand Applications
8004037	Aerial Adjustable Offset Mounting Bracket – Strand Applications
8003869	Aerial Mounting Bracket – ADSS Applications
8004038	Aerial Adjustable Offset Mounting Bracket – ADSS Applications
8003942	Pole/Wall Mounting Bracket
8003835	Universal Mounting Bracket – Handhole Applications
8003941	Aerial Mounting Bracket – End Plate Mounting Applications
8004003	Manhole Support Bracket