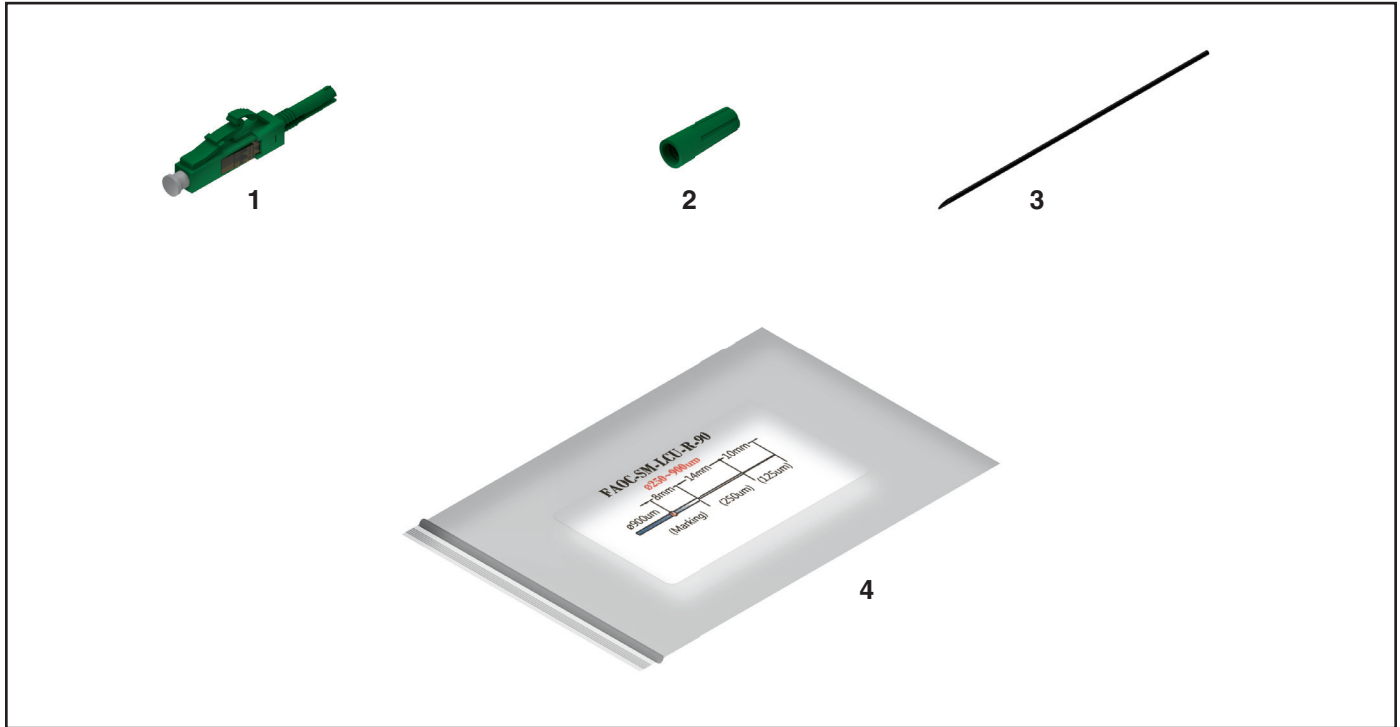




LC Field Installable Connectors

Be sure to read and completely understand this procedure before applying product. Be sure to select the proper PREFORMED™ product before application.



NOMENCLATURE

1. LC Connector Head with Jig - APC Version Shown (1)
2. LC Connector Boot (1)
3. Protective Tube (1)
4. Bag with Measurement Label (1)

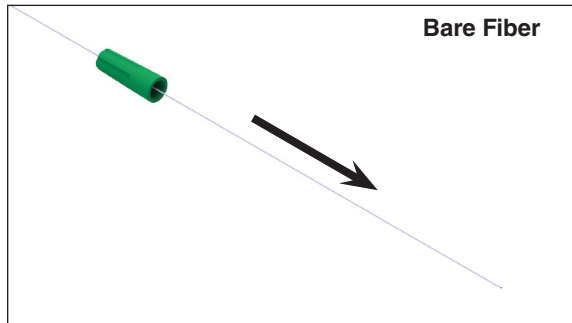
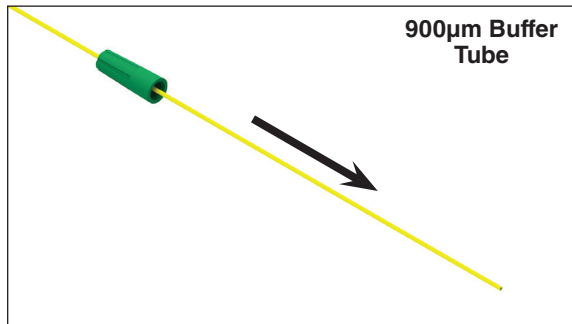
TOOLS REQUIRED

- Fiber Stripper
- Cleaver
- Alcohol & Gauze
- Pen or Marker

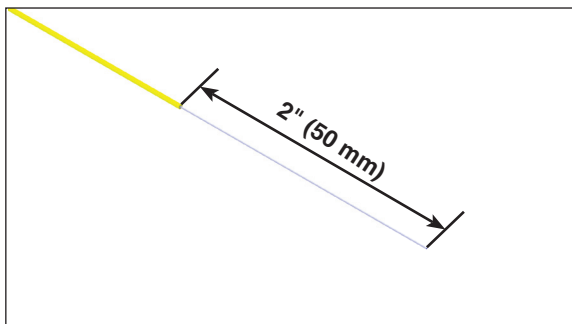
PLP Catalog Number	Description
80813501	Field Installable Connector Kit. Includes - (6) SCAPC Field Installable Connectors
80813502	Field Installable Connector Kit. Includes - (12) SCAPC Field Installable Connectors
80813503	Field Installable Connector Kit. Includes - (6) SCUPC Field Installable Connectors
80813504	Field Installable Connector Kit. Includes - (12) SCUPC Field Installable Connectors
80813505	Field Installable Connector Kit. Includes - (6) LCAPC Field Installable Connectors
80813506	Field Installable Connector Kit. Includes - (12) LCAPC Field Installable Connectors
80813507	Field Installable Connector Kit. Includes - (6) LCUPC Field Installable Connectors
80813508	Field Installable Connector Kit. Includes - (12) LCUPC Field Installable Connectors
FAC-KIT	Field Installation Kit. Includes - (1) Carrying Bag, (1) Precision Cleaver, (1) Pen Style Cleaner for SC Connectors, (1) Pen Style Cleaner for LC Connectors, (1) Fiber Stripper, (1) Kevlar® Scissor, (1) Pack of Alcohol Wipes, (10) LCUPC 900µm Connectors, (10) SCUPC 900µm Connectors, and (1) Instruction Sheet

Kevlar® is a registered trademark of DuPont.

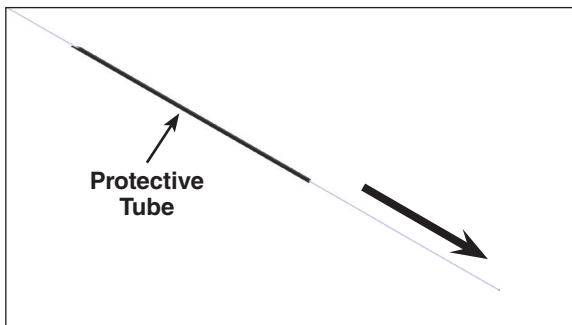
Step #1 Insert the buffer tube or bare fiber through the connector boot as shown below.



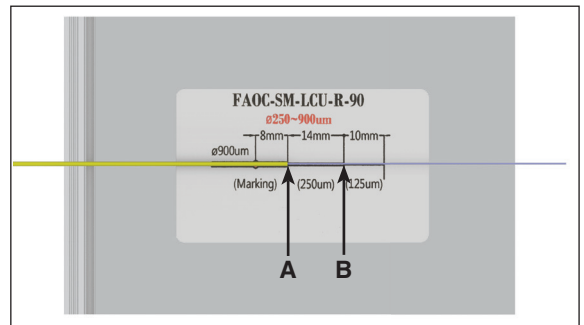
Step #2a For 900µm tight buffer tube applications, remove 2" (50 mm) or more of the buffer tube from the end.



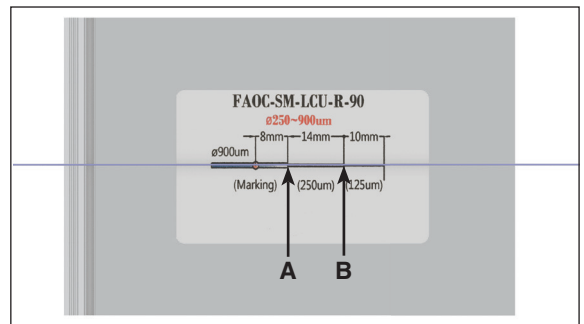
Step #2b For bare fiber applications, insert the fiber through the protective tube as shown below.



Step #3a For 900µm tight buffer tube applications, place the buffer tube against the measurement label of the bag and align the end of the buffer tube at location "A". Place a mark on the fiber coating (250µm layer) with a pen or marker at location "B".

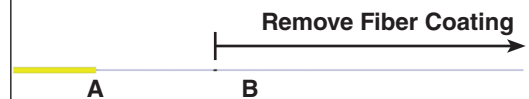


Step #3b For bare fiber applications, place the fiber against the measurement label of the bag. Make sure that the fiber extends beyond the bag. Place a mark on the fiber coating (250µm layer) with a pen or marker at location "A" and "B".

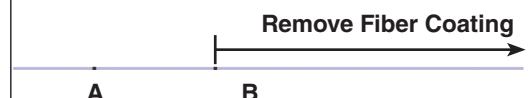


Step #4 Strip off the fiber coating (250µm layer) starting at the mark placed at location "B" to expose the 125µm fiber.

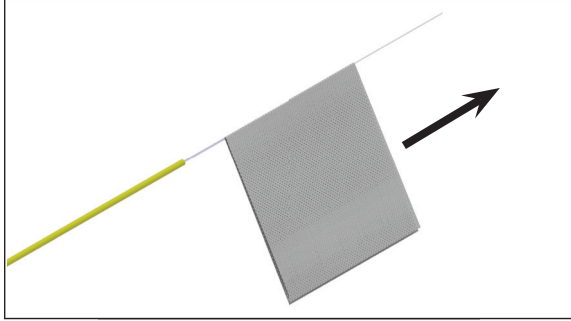
900um Tight Buffer Tube Applications



Bare Fiber Applications

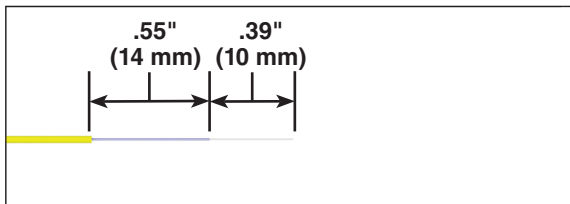


Step #5 Wipe the 125µm fiber clean with an alcohol-wet gauze.

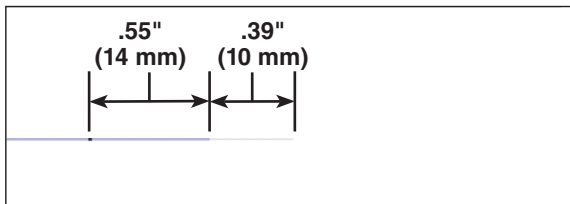


Step #6 Trim the 125µm fiber to a length of .39" (10mm) with a cleaver. Check the length with the measurement label on the bag if needed.

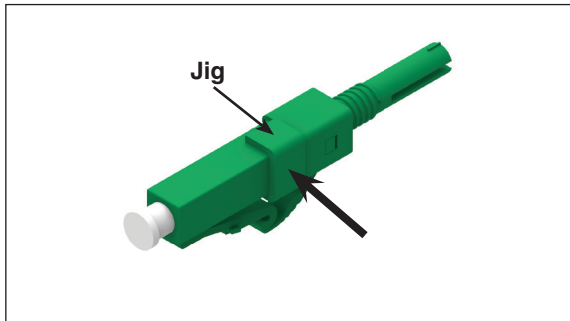
900µm Tight Buffer Tube Applications



Bare Fiber Applications

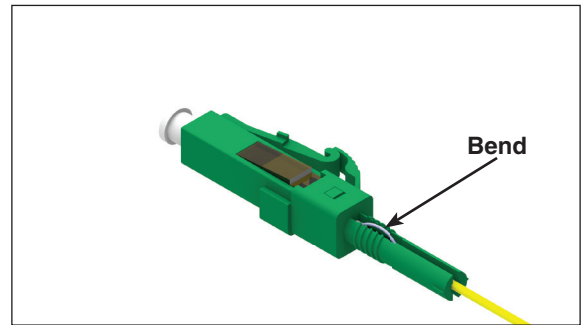
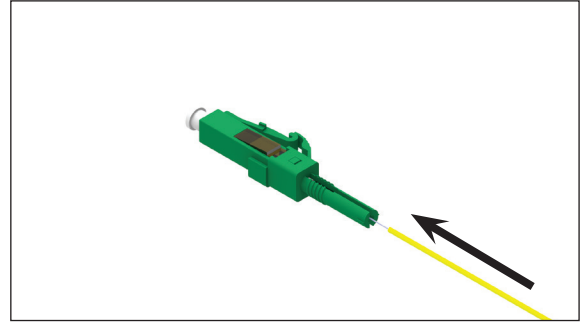


Step #7 Make sure that the jig is tightly inserted into the connector head.

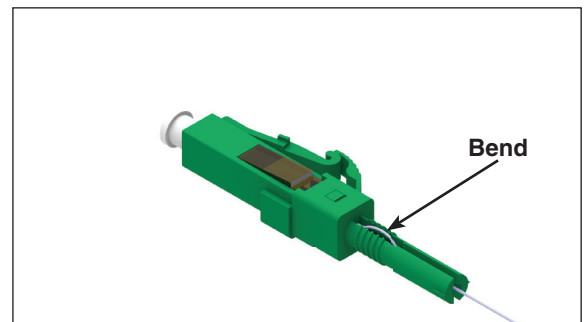
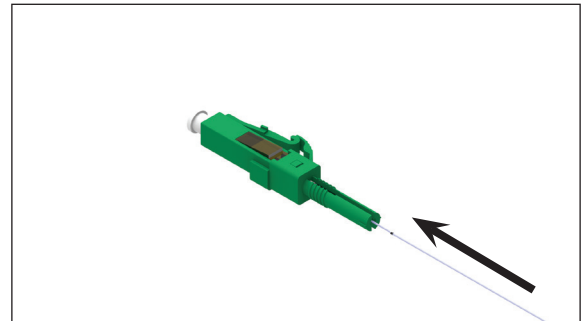


Step #8 Insert the fiber into the connector head through the fiber guide. When the fiber is fully inserted it will bend. Make sure that the fiber does not bend too much.

900µm Tight Buffer Tube Applications

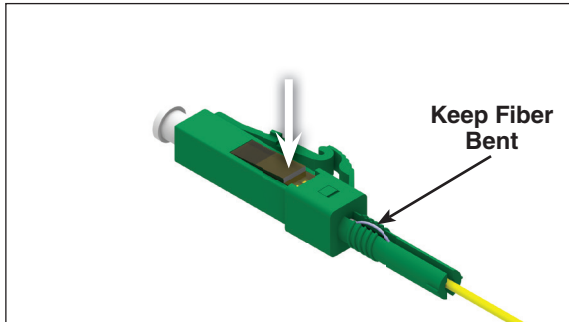
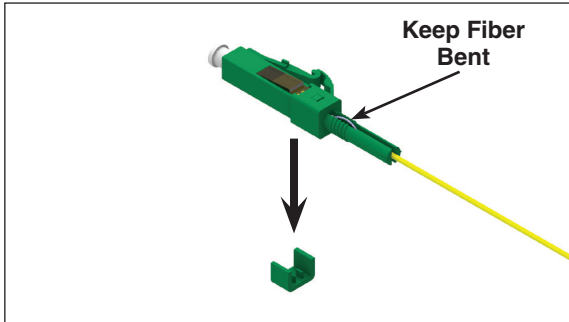


Bare Fiber Applications

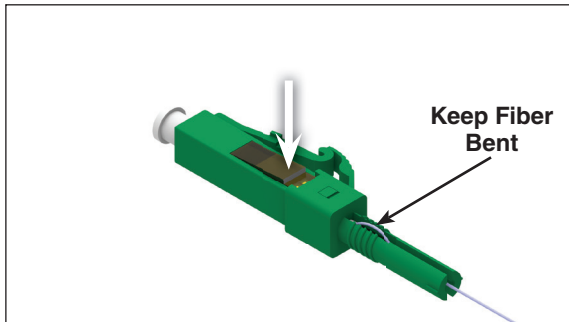
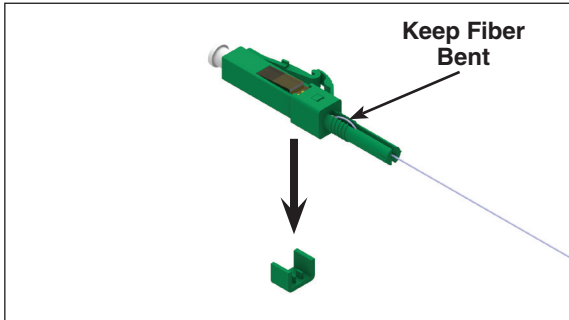


Step #9 While keeping the fiber bent, remove the jig from the connector head completely and push the yellow button to secure the fiber in the connector head.

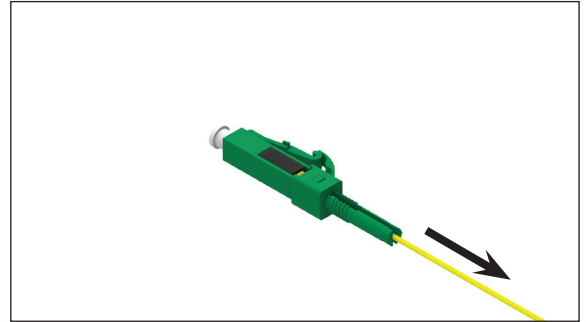
900 μ m Tight Buffer Tube Applications



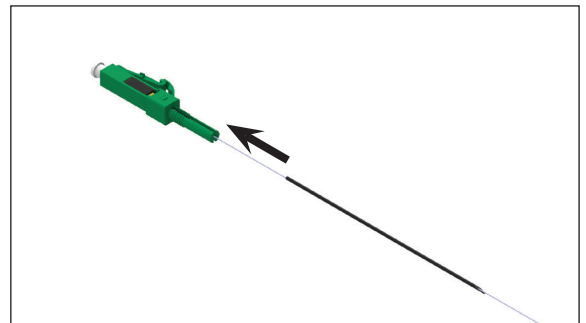
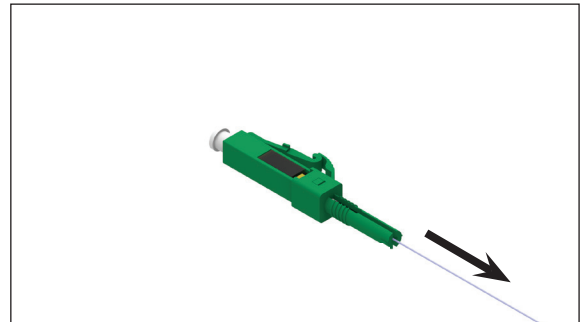
Bare Fiber Applications



Step #10a For 900 μ m tight buffer tube applications, release the buffer tube to remove the bend in the fiber and center the buffer tube in the holder.

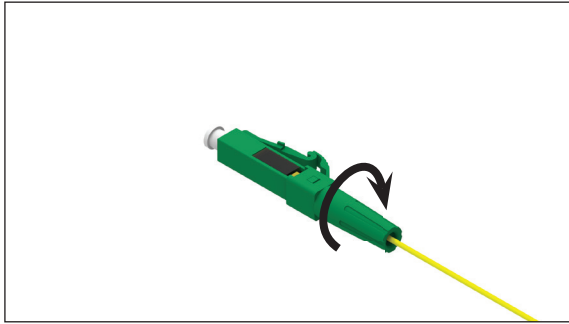
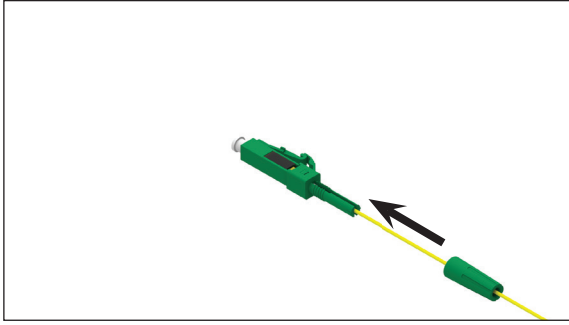


Step #10b For bare fiber applications, release the fiber to remove the bend in the fiber and slide the protective tube into the connector head until it stops.

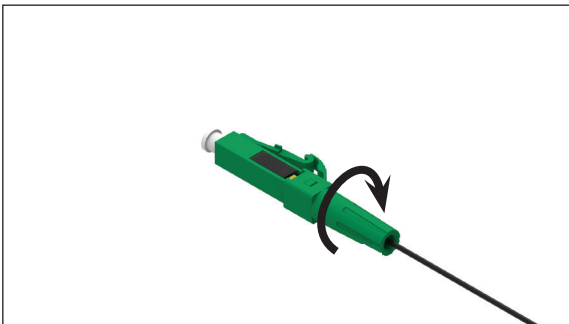
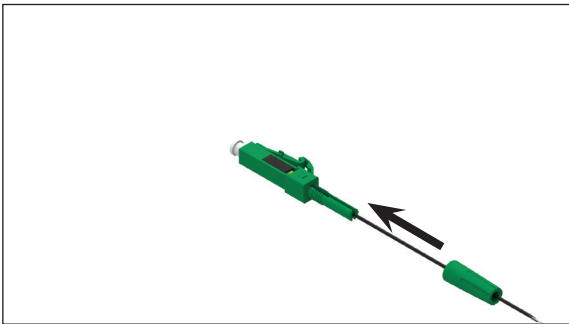


Step #11 Slide the connector boot onto the connector head and tighten it.

900µm Tight Buffer Tube Applications

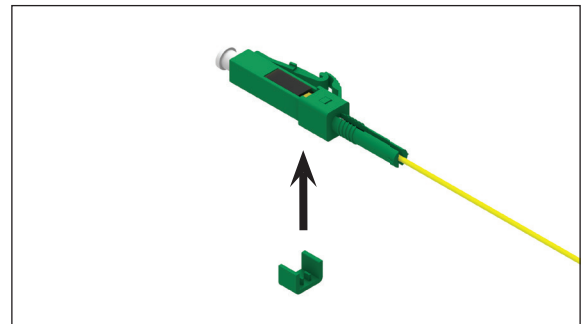
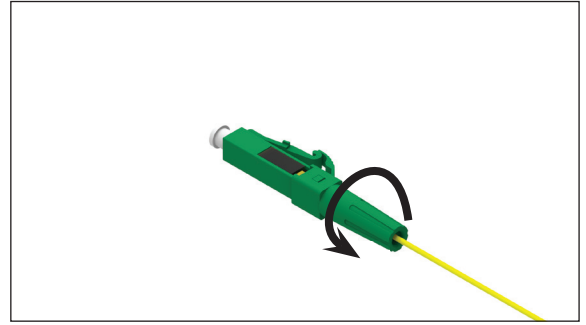


Bare Fiber Applications

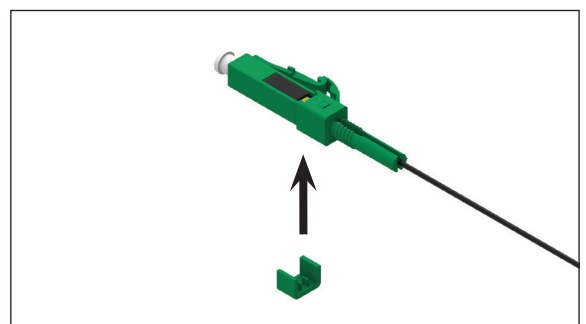
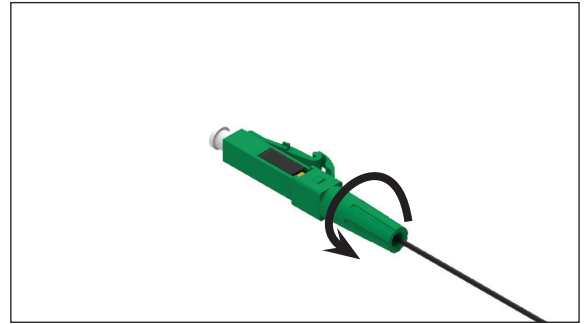


Step #12 To remove the fiber from the connector, unscrew the connector boot and re-insert the jig into the connector head.

900µm Tight Buffer Tube Applications



Bare Fiber Applications



SAFETY CONSIDERATIONS

This application procedure is not intended to supersede any company construction or safety standards. This procedure is offered only to illustrate safe application for the individual. **FAILURE TO FOLLOW THESE PROCEDURES MAY RESULT IN PERSONAL INJURY OR DEATH.**

Do not modify this product under any circumstances.

This product is intended for use by trained technicians only. **This product should not be used by anyone who is not familiar with, and not trained to use it.**

When working in the area of energized lines, extra care should be taken to prevent accidental electrical contact. Be sure to wear proper safety equipment per your company protocol.

For proper performance and personal safety, be sure to select the proper size PREFORMED™ product before application.

PREFORMED products are precision devices. To ensure proper performance, they should be stored in cartons under cover and handled carefully.



PREFORMED LINE PRODUCTS

P.O. Box 91129, Cleveland, Ohio 44101 • 440.461.5200 • preformed.com • email: inquiries@preformed.com

SP3552