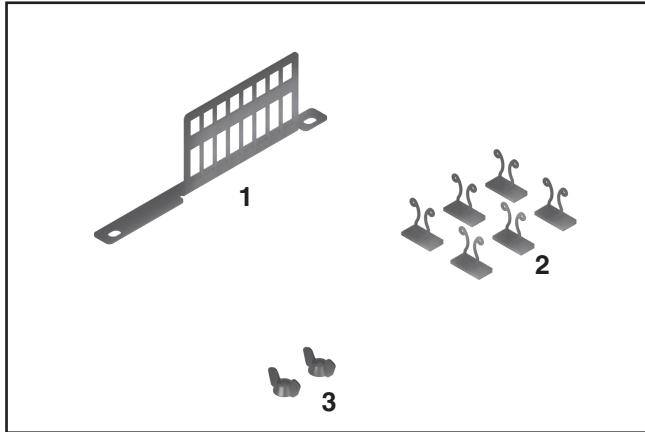




COYOTE Dome Closure 6.5" x 17" & 22" Cross-Connect Bulkhead Kits

Be sure to read and completely understand this procedure before applying product. Be sure to select the proper PREFORMED™ product before application.

6.5" x 17" Cross-Connect Bulkhead Kit



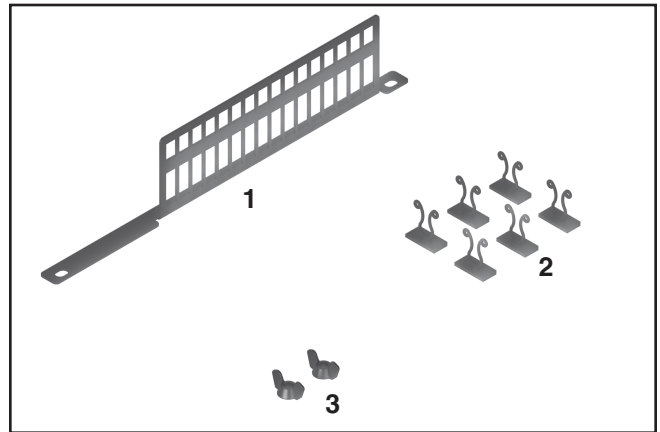
NOMENCLATURE

- 1. 6.5" x 17" Bulkhead Bracket (1)
- 2. Routing Clips (6)
- 3. Wing Nuts (2)

TOOLS REQUIRED

- Fiber Stripper
- Snips
- Felt
- Tie Wraps
- Pen or Marker

6.5" x 22" Cross-Connect Bulkhead Kit

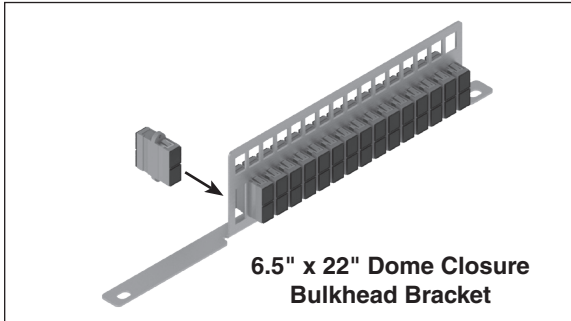
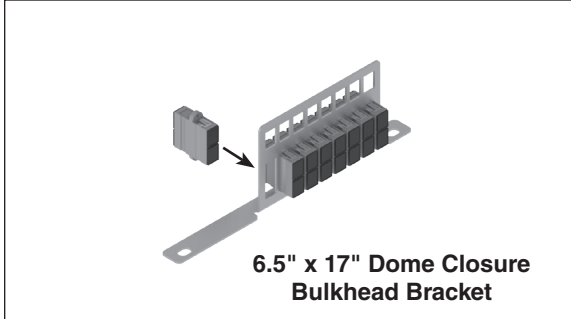


NOMENCLATURE

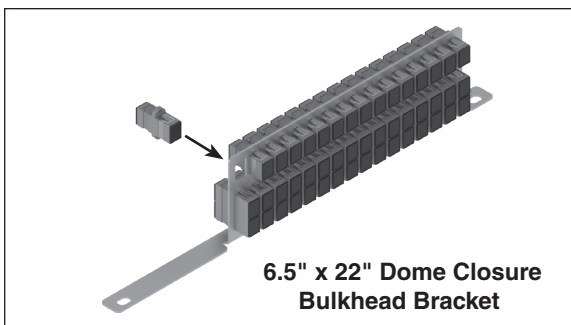
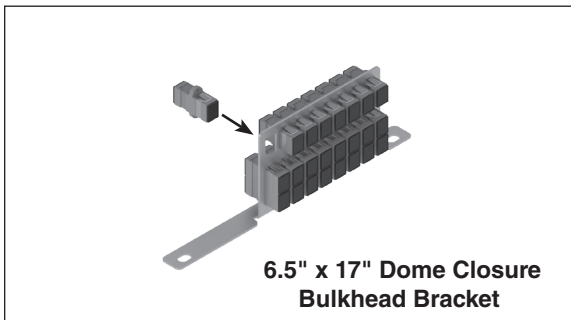
- 1. 6.5" x 22" Bulkhead Bracket (1)
- 2. Routing Clips (6)
- 3. Wing Nuts (2)

PLP Catalog Number	Description
80813619	COYOTE Dome Closure 6.5" x 17" Cross-Connect Bulkhead Kit
80813620	COYOTE Dome Closure 6.5" x 22" Cross-Connect Bulkhead Kit
80813593	Adapter Kit. Includes: (8) SC/APC Simplex Adapters
80813594	Adapter Kit. Includes: (8) SC/UPC Simplex Adapters
80813595	Adapter Kit. Includes: (8) SC/APC Duplex Adapters
80813596	Adapter Kit. Includes: (8) SC/UPC Duplex Adapters
80813597	Adapter Kit. Includes: (8) LC/APC Duplex Adapters
80813598	Adapter Kit. Includes: (8) LC/UPC Duplex Adapters
80813599	Adapter Kit. Includes: (8) LC/APC Quad Adapters
80813600	Adapter Kit. Includes: (8) LC/UPC Quad Adapters
COYTRM-2PK-SCA-SB	Pigtail Kit. Includes: (2) SC/APC 2 mm Jacketed Pigtails with Short Boot Connectors
COYTRM-2PK-SCU-SB	Pigtail Kit. Includes: (2) SC/UPC 2 mm Jacketed Pigtails with Short Boot Connectors
COYTRM-3PK-SCA-SB	Pigtail Kit. Includes: (3) SC/APC 2 mm Jacketed Pigtails with Short Boot Connectors
COYTRM-3PK-SCU-SB	Pigtail Kit. Includes: (3) SC/UPC 2 mm Jacketed Pigtails with Short Boot Connectors
COYTRM-4PK-SCA-SB	Pigtail Kit. Includes: (4) SC/APC 2 mm Jacketed Pigtails with Short Boot Connectors
COYTRM-4PK-SCU-SB	Pigtail Kit. Includes: (4) SC/UPC 2 mm Jacketed Pigtails with Short Boot Connectors
COYTRM-4PK-LCA-SB	Pigtail Kit. Includes: (4) LC/APC 2 mm Jacketed Pigtails with Short Boot Connectors
COYTRM-4PK-LCA-SB	Pigtail Kit. Includes: (4) LC/UPC 2 mm Jacketed Pigtails with Short Boot Connectors
P6SCA3	3 m Pigtail Cable Assembly Kit. Includes: (6) Bundled SC/APC 900µm Pigtails in Sleeving
P6SCU3	3 m Pigtail Cable Assembly Kit. Includes: (6) Bundled SC/UPC 900µm Pigtails in Sleeving
P12SCA3	3 m Pigtail Cable Assembly Kit. Includes: (12) Bundled SC/APC 900µm Pigtails in Sleeving
P12SCU3	3 m Pigtail Cable Assembly Kit. Includes: (12) Bundled SC/UPC 900µm Pigtails in Sleeving
P6LCA3	3 m Pigtail Cable Assembly Kit. Includes: (6) Bundled LC/APC 900µm Pigtails in Sleeving
P6LC3	3 m Pigtail Cable Assembly Kit. Includes: (6) Bundled LC/UPC 900µm Pigtails in Sleeving
P12LCA3	3 m Pigtail Cable Assembly Kit. Includes: (12) Bundled LC/APC 900µm Pigtails in Sleeving
P12LC3	3 m Pigtail Cable Assembly Kit. Includes: (12) Bundled LC/UPC 900µm Pigtails in Sleeving

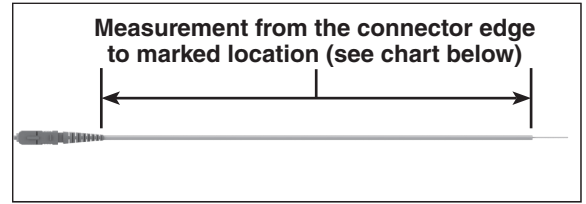
Step #1 Install duplex SC or quad LC adapters in the bottom row of the bulkhead bracket.



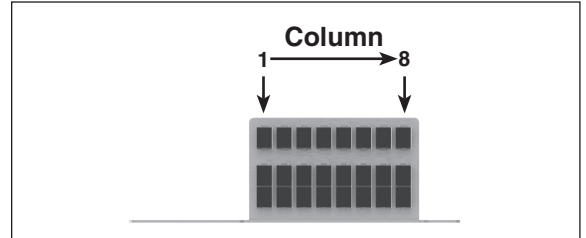
Step #2 Install simplex SC or duplex LC adapters in the top row of the bulkhead bracket.



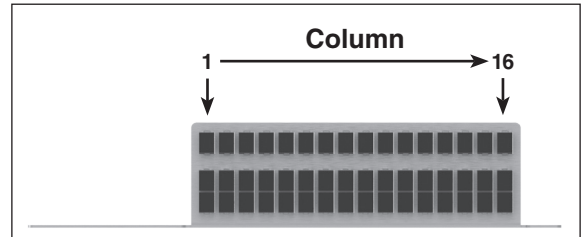
Step #3a For 2 mm jacketed pigtails, measure and mark each pigtail according to the chart below. Remove the pigtail jacket and aramid yarn beyond the mark.



6.5" x 17" Dome Closure Bulkhead Bracket



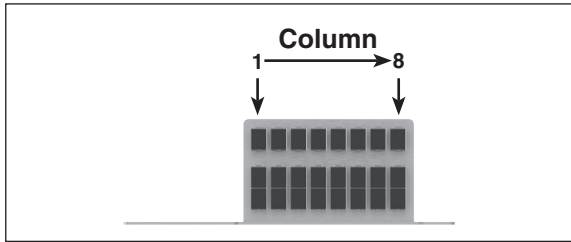
6.5" x 22" Dome Closure Bulkhead Bracket



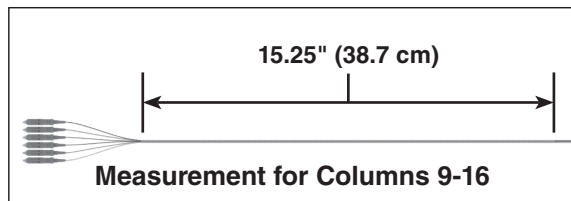
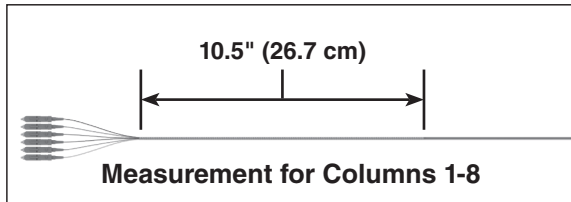
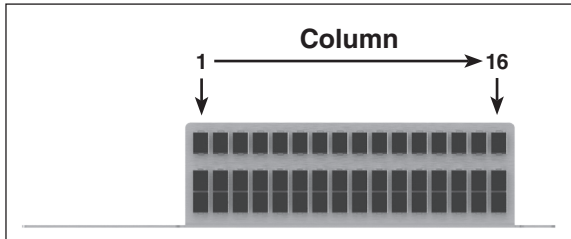
Column	6.5" x 17" Dome Measurement	6.5" x 22" Dome Measurement
1	14.50" (36.8 cm)	17.75" (45.1 cm)
2	14.75" (37.5 cm)	18.00" (45.7 cm)
3	15.00" (38.1 cm)	18.25" (46.4 cm)
4	15.25" (38.7 cm)	18.50" (47.0 cm)
5	15.50" (39.4 cm)	18.75" (47.6 cm)
6	15.75" (40.0 cm)	19.00" (48.3 cm)
7	16.00" (40.6 cm)	19.25" (48.9 cm)
8	16.25" (41.3 cm)	19.50" (49.5 cm)
9	–	19.75" (50.2 cm)
10	–	20.00" (50.8 cm)
11	–	20.25" (51.4 cm)
12	–	20.50" (52.0 cm)
13	–	20.75" (52.7 cm)
14	–	21.00" (53.3 cm)
15	–	21.25" (54.0 cm)
16	–	21.50" (54.6 cm)

Step #3b For fiber pigtail cable assemblies, measure and mark the sleeving of each assembly with pigtails routing to columns 1-8 to 10.5" (26.7 cm) and columns 9-16 to 15.25" (38.7 cm). Remove the sleeving beyond the mark.

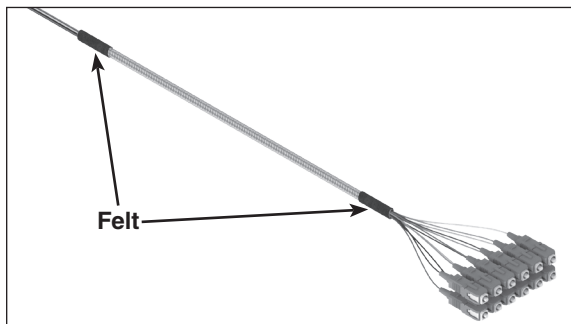
6.5" x 17" Dome Closure Bulkhead Bracket



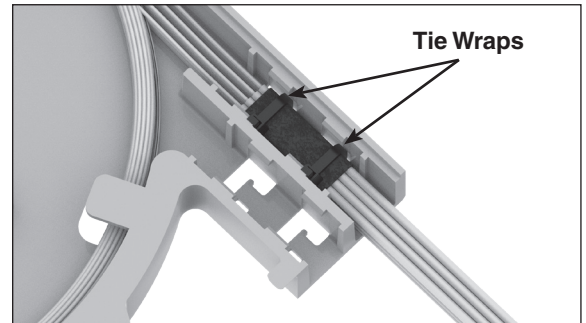
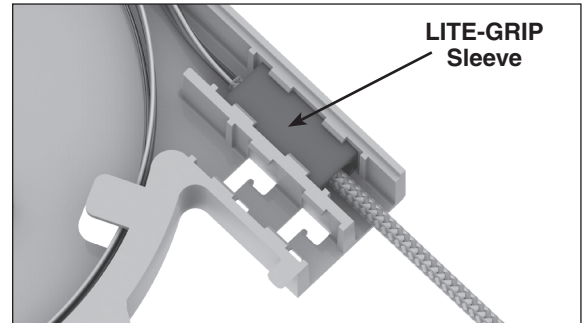
6.5" x 22" Dome Closure Bulkhead Bracket



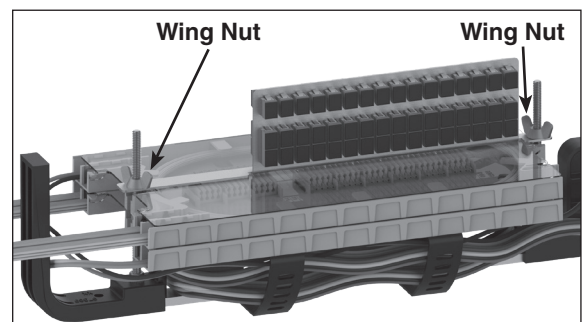
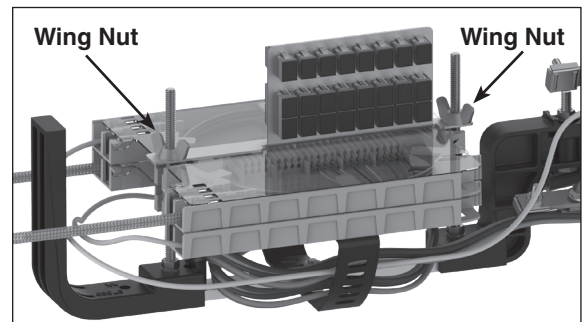
Step #4 For fiber pigtail cable assemblies, make sure to wrap the felt around the sleeving at each end.



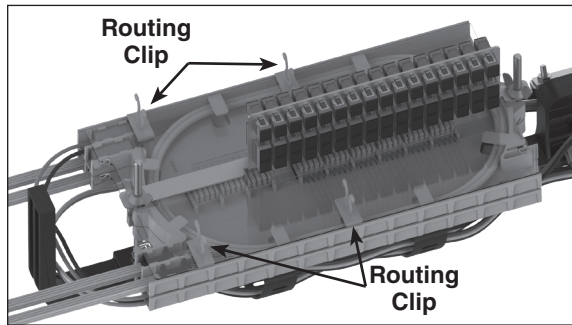
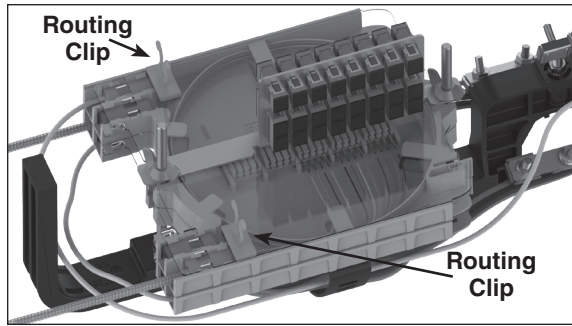
Step #5 Secure the pigtails to the splice tray with either LITE-GRIP® sleeves or tie wraps.



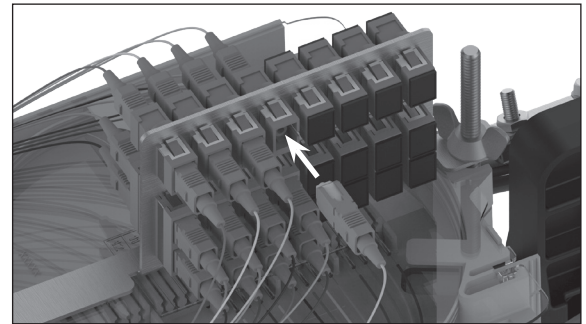
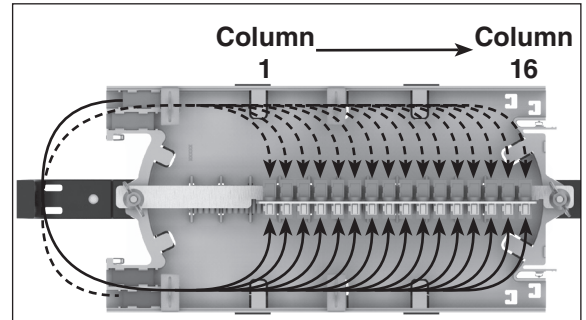
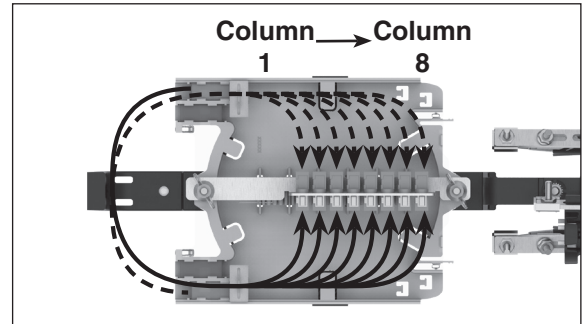
Step #6 Secure the splice trays in the organizer of the closure with the bulkhead bracket by placing the bracket onto the studs of the organizer and securing it with the wing nuts provided. **NOTE: Make sure when installing the bracket that the bulkhead portion of the bracket is pointing towards the end plate of the organizer.**



Step #7 Remove the protective backing of the routing clips and stick them to the tray cover of the top splice tray as shown below.



Step #8 Route the pigtails to the bulkhead as shown below and install the pigtails into the adapters.



SAFETY CONSIDERATIONS

This application procedure is not intended to supersede any company construction or safety standards. This procedure is offered only to illustrate safe application for the individual.

FAILURE TO FOLLOW THESE PROCEDURES MAY RESULT IN PERSONAL INJURY OR DEATH.

Do not modify this product under any circumstances.

This product is intended for use by trained technicians only. **This product should not be used by anyone who is not familiar with, and not trained to use it.**

When working in the area of energized lines, extra care should be taken to prevent accidental electrical contact. Be sure to wear proper safety equipment per your company protocol.

For proper performance and personal safety, be sure to select the proper size PREFORMED™ product before application.

PREFORMED products are precision devices. To ensure proper performance, they should be stored in cartons under cover and handled carefully.



PREFORMED LINE PRODUCTS

P.O. Box 91129, Cleveland, Ohio 44101 • 440.461.5200 • preformed.com • email: inquiries@preformed.com