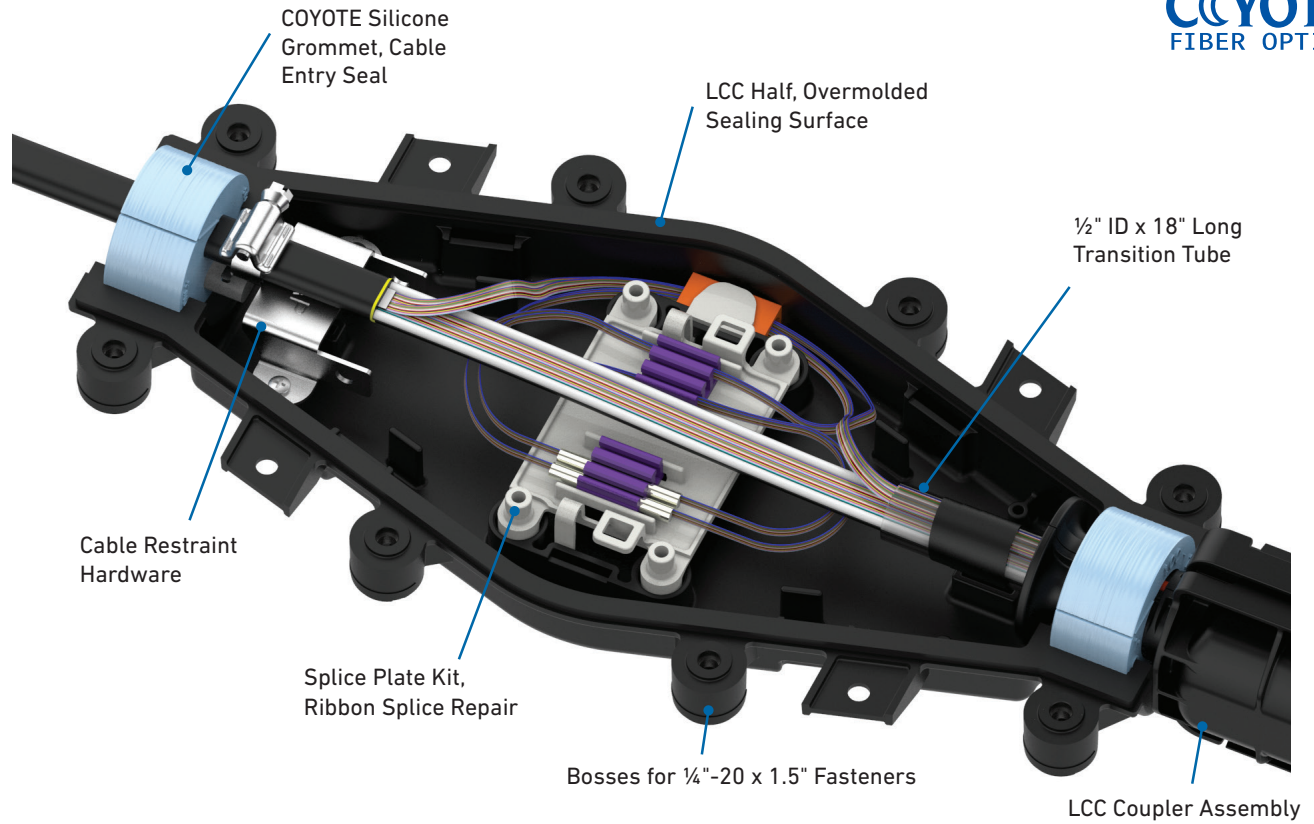


COYOTE® LCC COUPLER

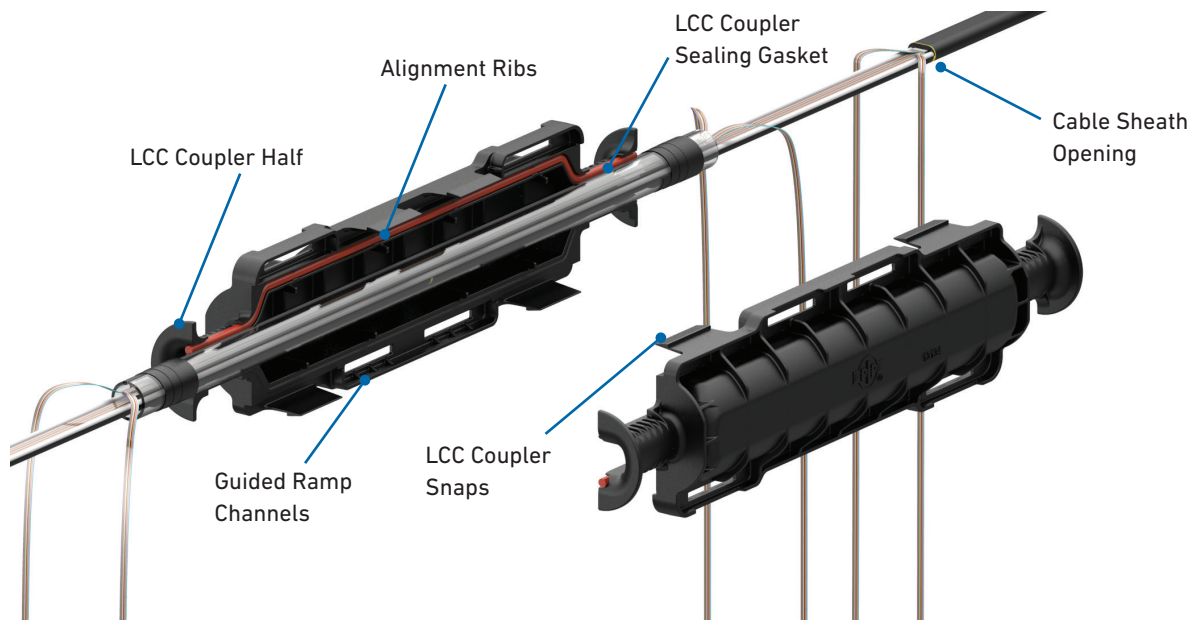
The **COYOTE LCC Coupler** is primarily designed for the repair of damaged aerial fiber-optic cables, especially where taut (no slack) applications occur. The COYOTE LCC Coupler can also be utilized to cover and protect damaged aerial fiber-optic cable sheaths, where the fibers have not been damaged, but are exposed to environmental conditions. Its lightweight and low-profile design make it ideal for either aerial application, lashed messenger or ADSS systems. More than one COYOTE LCC Coupler assembly can be ganged together to accommodate longer areas of damaged aerial fiber-optic cables.

FEATURES AND BENEFITS

- Maximum Splice Capacity of 32 CT. Single Fusion or 144 CT. Mass Fusion
- Applicable to ADSS or lashed messenger systems and is ideal for aerial taut applications
- Supports round cable diameters ranging from 0.30" - 0.54" as well as RPX or flat cable construction
- LCC Coupler halves are constructed of a UV-stabilized, engineered polycarbonate resin
- Tested in accordance to IEEE-1222-2011 – IEEE Standard for Testing and Performance for All-Dielectric Self-Supporting (ADSS) Fiber Optic Cable for Use on Electric Utility Power Lines



The **COYOTE LCC Coupler** can only be used in ADSS or lashed messenger aerial applications. A silicone foam gasket lies in the channel of the COYOTE LCC Coupler halves, providing a seal that passes the GR-771 wind driven rain test criteria. The COYOTE LCC Coupler halves are mirror images of each other. The product is designed so the halves cannot be assembled improperly. No additional hardware is required to assemble the COYOTE LCC Coupler halves, as snap features, a guided ramp channel, and ribs aid in alignment and ease of closing.





SPECIFICATIONS

COYOTE® LCC Coupler

Catalog Number:	80061507
Splice Capacity (Maximum)	32 Single Fusion, 144 Mass Fusion
Cable Ports	4
Cable Diameters	RPX Cables Only + Tethers (Flat Drop)
Configuration	In-Line
Application	Aerial, Lashed Messenger, ADSS
Ingress Protection	In accordance to Telcordia® GR-771-CORE, Aerial, Wind-Driven Rain, IP55
Size	38.4" L x 6.5" W x 2.5" D (97.5 x 16.5 x 6.4 cm)
Approximate Weight	6.6 lbs (3 kg)

KIT CONTENTS

Catalog Number	Description
80061507	<p>COYOTE LCC Coupler for RPX Cables – Includes:</p> <ul style="list-style-type: none">(2) LCC Sub-Assemblies(2) LCC Coupler Halves(2) 14" LCC Coupler Sealing Gaskets(2) 1-Hole 1.00"-1.25" Silicone Grommets for LCC Coupler Sealing(2) 2-Hole RPX Silicone Grommets for Cable Entry Sealing(1) 3-Hole RPX and Tethers Silicone Grommet for Cable Entry Sealing(4) 12" Cable Ties(1) 0.50" ID x 18" Transition Tube <p>(1) COYOTE LCC Coupler Small Parts Bag including:</p> <ul style="list-style-type: none">(2) Splice Plate Kits:<ul style="list-style-type: none">(3) 8-Hole Yellow SF Splice Blocks(3) 3-Hole Purple MF Splice Blocks(4) #6 Self Tapping Screws(12) Fiber Capture TabsCable Restraint Hardware(2) Hose Clamps(2) 1-Hole Orange LITE-GRIP® Retention Sleeve



ACCESSORIES

COYOTE® LCC Coupler

Catalog Number	Description
80061499	COYOTE LCC Coupler Replacement Kit – Includes (2) LCC Coupler Halves, (2) 1-Hole 1.00"-1.25" Silicone Grommets for LCC Coupler Sealing, (2) 14" LCC Coupler Sealing Gaskets, (1) 0.50" ID x 18" Transition Tube, and (1) Silicone Lubricant Packet
80809851	Dual Strength Member Bracket Kit – Includes (1) Dual Strength Member Bracket, (2) #6 x ½" Self-Tapping Screws, (2) Cap and Stud Assemblies and (2) #10-32 Hex Nuts
8003843	Strength Member L Bracket Kit – Includes (2) Strength Member Brackets and (4) #6 x ½" Self-Tapping Screws
80813088	Splice Platform Kit – Includes (1) Splice Platform, (3) 8-Hole Yellow Single Fusion Splice Blocks, and (3) 3-Hole Purple Mass Fusion Splice Blocks
8003993	Heat Shrink Splice Protector Kit – Includes (12) 40 mm Mass Fusion
80808187	Heat Shrink Splice Protector Kit – Includes (12) 40 mm Single Fusion
8003509	Heat Shrink Splice Protector Kit – Includes (12) 60 mm Single Fusion
8003832	Aerial Mounting Bracket – Strand Applications
8003852	Aerial Mounting Bracket – ADSS Applications
8003664	4-Hole Silicone Grommet 0.30" - 0.43" Cable Diameter Range
8003691	1-Hole Silicone Grommet 0.40" - 0.60" Cable Diameter Range
8004122	2-Hole Silicone Grommet for RPX Cable Only
8004152	3-Hole Silicone Grommet (1-Hole for RPX Cable Only and 2-Holes 0.125" - 0.250" Cable Diameter Range and Flat Drop Cable)

