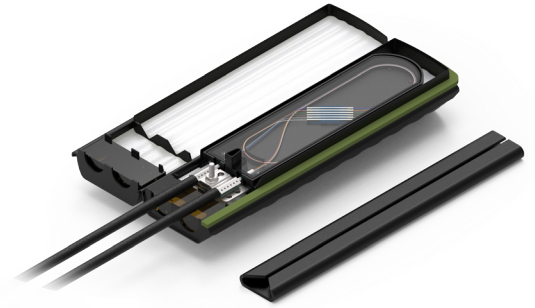




COYOTE® DROP CABLE CLOSURE

INSTALLATION INSTRUCTIONS



IMPORTANT SAFETY INFORMATION

READ AND COMPLETELY UNDERSTAND ALL INSTRUCTIONS BEFORE INSTALLING PRODUCT. FAILURE TO FOLLOW THESE INSTRUCTIONS MAY RESULT IN PERSONAL INJURY OR DEATH.

This product is intended for use by trained technicians only. This product should not be used by anyone who is not familiar with and not trained to use it. When working in the area of energized lines, extra care should be taken to prevent accidental electrical contact. Be sure to wear proper safety equipment per your company protocol. These instructions are not intended to supersede any company construction or safety standards. These instructions are offered only to illustrate safe installation for the individual. PLP products are intended for the specified application only. Do not modify this product under any circumstances. Do not reuse or reinstall any PLP product unless that capability is expressly indicated in the product's Installation Instructions. For proper performance and personal safety, be sure to select the proper PLP product before installation. PLP products are precision devices. To ensure proper performance, they should be stored in cartons under cover and handled carefully.

PACKAGE COMPONENTS



1. Drop Cable Closure (1)
2. Splice Tray Kit (1)
Includes (6) 40 mm Heat Shrink Splice Protectors
3. Slider Clamp (1)
4. Plastic Gloves (2)
5. Roll of Sealant (1)

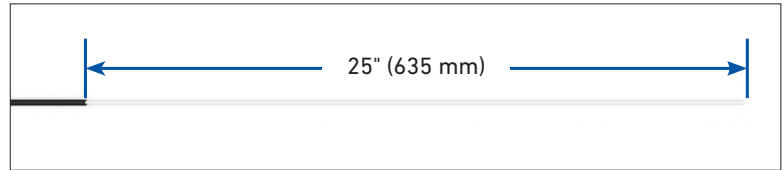
Tools Required:

- Utility Knife
- Side Cutters
- Snips
- Fiber optic cable opening tools
- Mallet or Hammer

THIS PRODUCT IS RE-ENTERABLE, BUT NOT RE-USABLE.
For additional components and accessories, see Appendix.

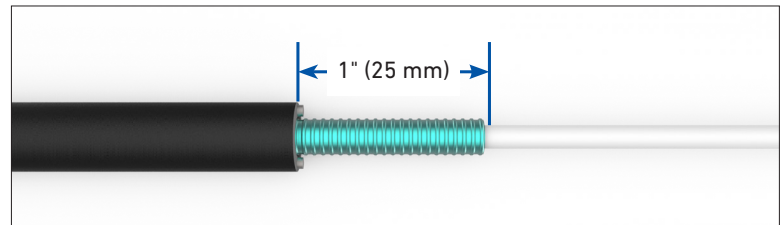
CABLE PREPARATION

- 1 Mark and remove 25" (635 mm) of the cable sheath from the end of each cable.

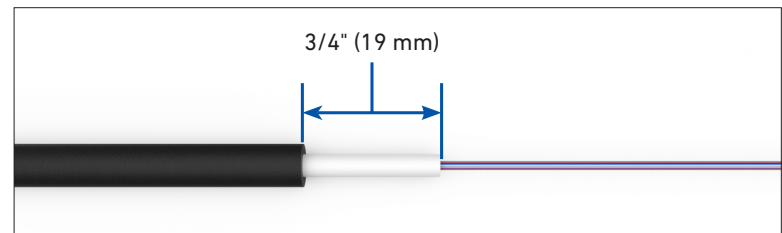


- 2 For shielded cables, remove an additional 1" (25 mm) of cable sheath to expose the metallic shield.

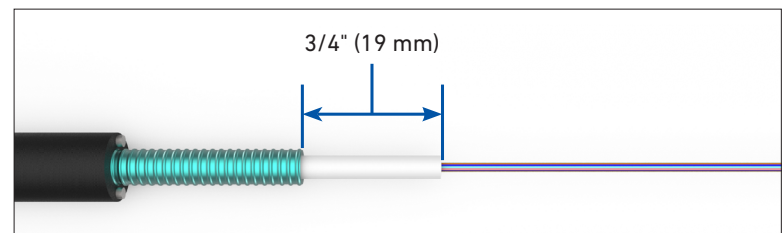
NOTE: Remove the steel strength members at the end of the cable sheath.



- 3 Remove all but 3/4" (19 mm) of the buffer tube and clean the fibers per your standard company practice.



Dielectric Round Drop Cable

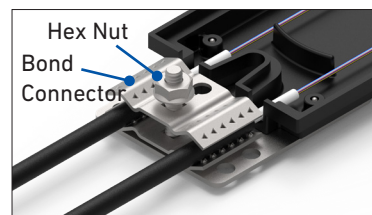


Shielded Round Drop Cable

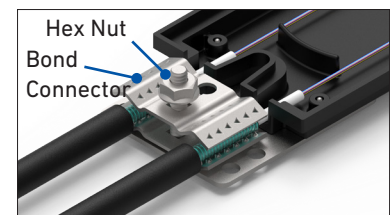
CABLE RETENTION TO SPLICE TRAY

- 4 Loosen the hex nut of the bond connector of the splice tray assembly. Insert the cable sheath or the metallic shield of each cable into the grooves of the bond connector.

NOTE: Align the end of the cable sheath or metallic shield with the end of the bond connector.

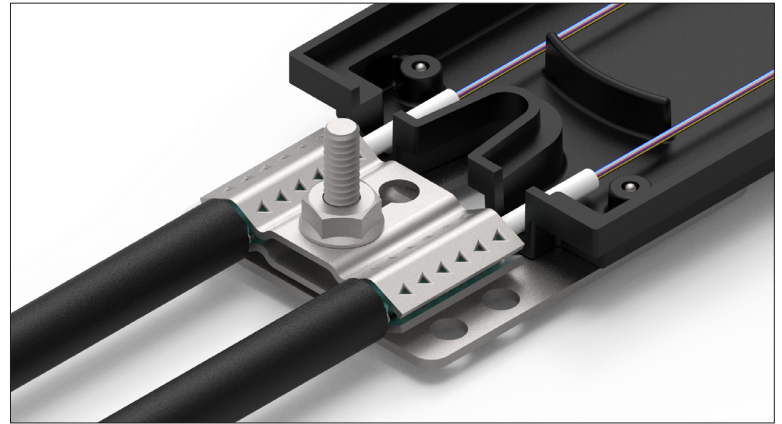


Dielectric Round Drop Cable



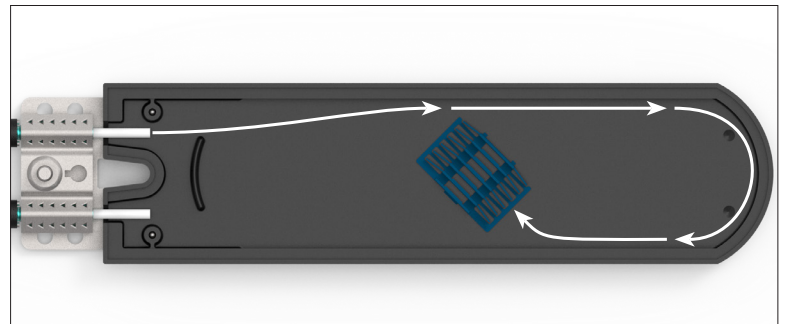
Shielded Round Drop Cable

- 5 Tighten the hex nut to secure the cables.

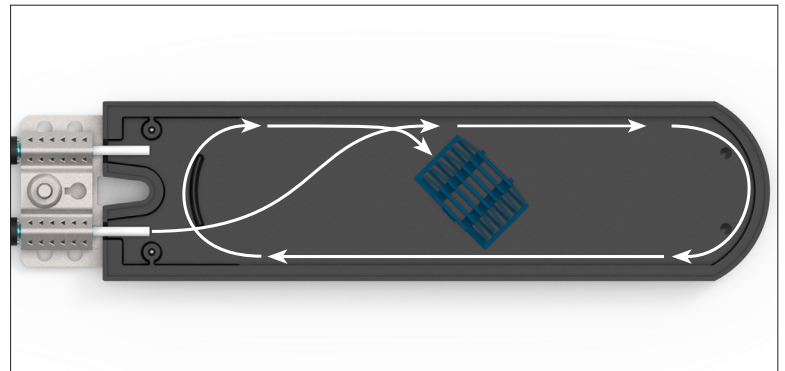


FIBER ROUTING ON SPLICE TRAY

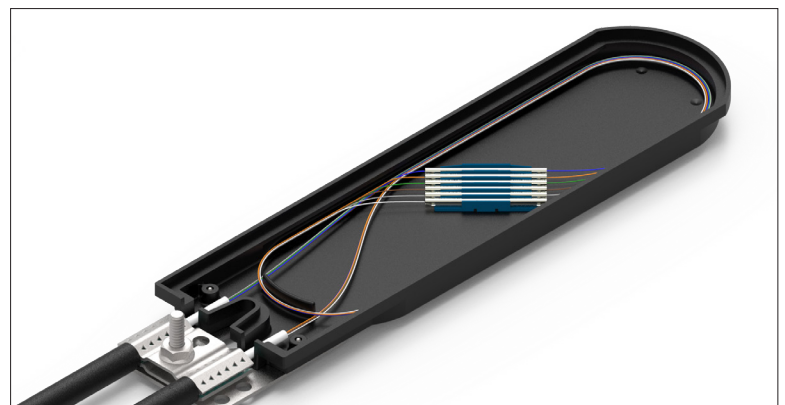
- 6 Route the fibers from the left cable down the left side of the splice tray, around the end, and into the splice block.



- 7 Route the fibers from the right cable across the splice tray, around the splice tray one complete turn, and into the other side of the splice block.

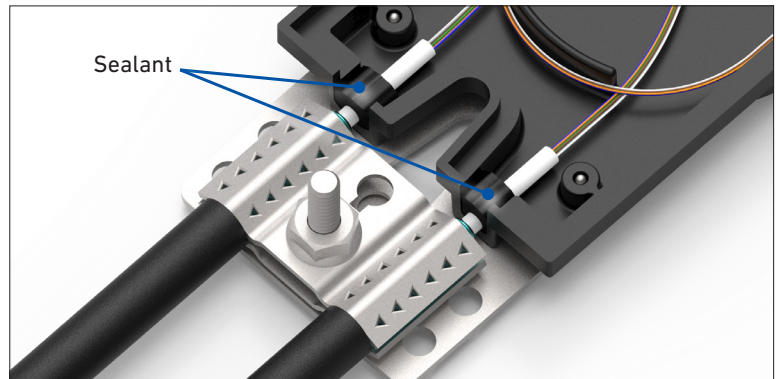


- 8 Splice the fibers per your standard company practice. Use the 40 mm heat shrink splice protectors provided with the kit to protect the fused splices.

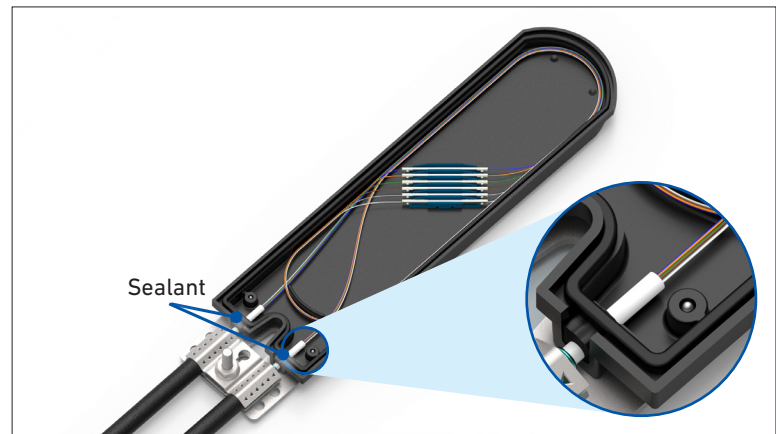


SPLICE TRAY COVER INSTALLATION

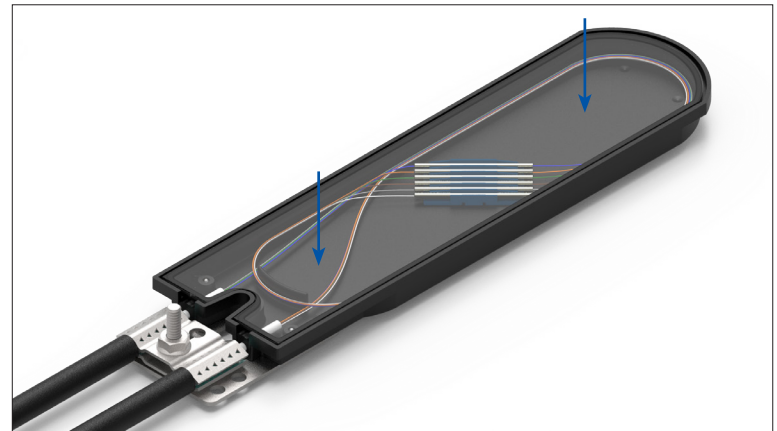
- 9 Use a small amount of the sealant strip provided to seal the openings in the splice tray where the central tubes enter.



- 10 Apply the sealant around the entire ledge of the splice tray.

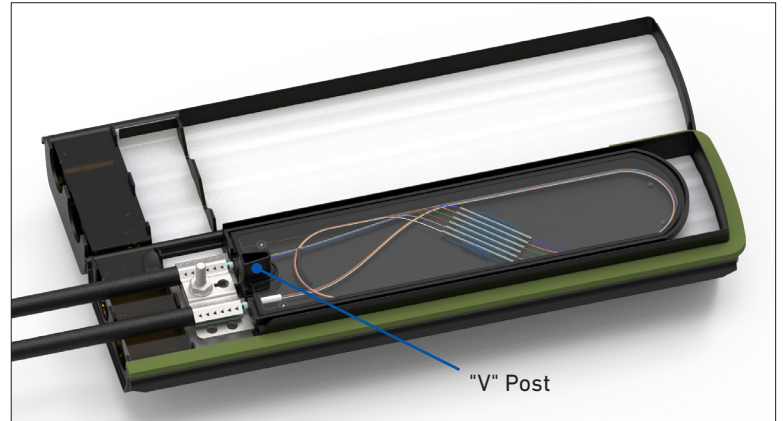


- 11 Place the splice tray cover on the sealant and press down to seal the splice tray.



CLOSURE INSTALLATION

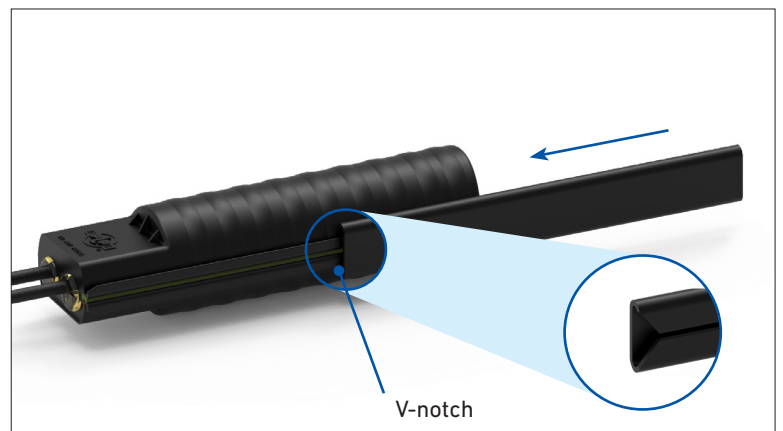
- 12 Position the splice tray assembly over the V-shaped post in the encapsulated closure.



- 13 Fold over the top half of the closure and squeeze the halves together, aligning the edges as closely as possible.

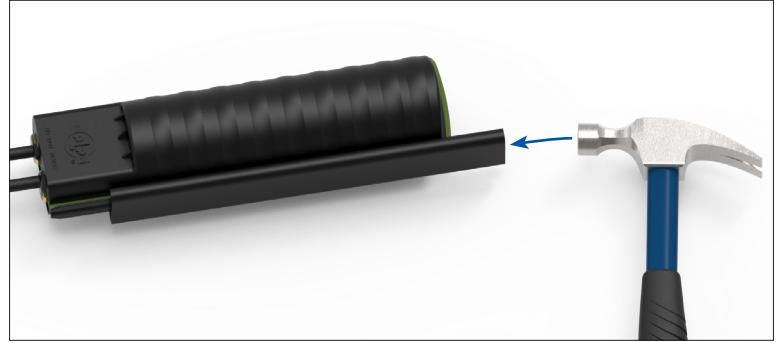


- 14 Starting with the V-notch end of the slider clamp, slide the clamp into the grooves of the closure at the butt end of the closure.



- 15** Tap the slider clamp slowly with a mallet or hammer until the slider clamp is fully installed.

NOTE: To properly seal the closure, remember to tap the slider clamp slowly to allow the sealant to encapsulate the splice tray and allow any excess sealant to flow out of the closure.



- 16** Completed COYOTE® Drop Cable Closure



APPENDIX A

Closure Kits for COYOTE® Drop Cable Closure

Catalog Number	Description
8006876	COYOTE Drop Cable Closure (Filled) – Includes (1) Filled Drop Cable Closure, (1) Slider Clamp, (1) 6 ct Splice Tray for Single-Fusion Splices, (6) 40 mm Heat Shrink Splice Protectors, (1) Roll of Sealant, & (2) Plastic Gloves
8006914	COYOTE Drop Cable Closure (Unfilled) – Includes (1) Unfilled Drop Cable Closure, (1) Slider Clamp, (1) 6 ct Splice Tray for Single-Fusion Splices, (6) 40 mm Heat Shrink Splice Protectors, (1) Roll of Sealant, & (2) Plastic Gloves



GLOBAL HEADQUARTERS
660 BETA DRIVE
CLEVELAND, OH 44143

+1 440 461 5200
PLP.COM
INFO@PLP.COM