

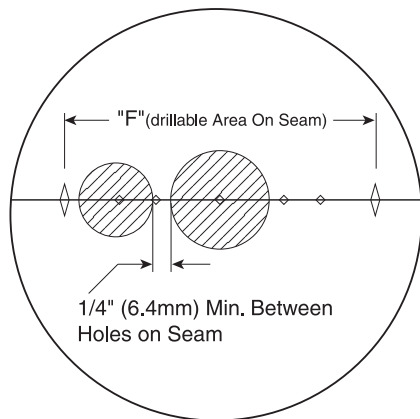
# ARMADILLO® Drillable End Plate Kits

## ARMADILLO Drillable End Plates

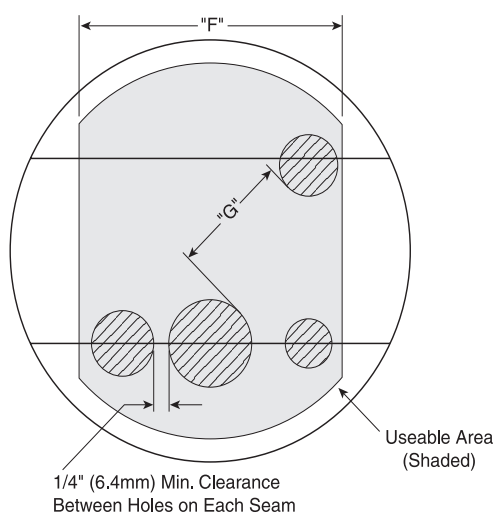
These end plates offer a more rugged design that is designed to take on your most demanding environments. They are designed to maintain 15 psi when installed with ARMADILLO Stainless shells and are the choice for vault applications. ARMADILLO Drillable End Plates also feature the LOCK-TAPE™ sealing system which has consistently provided superior cable sealing and pullout strength for more than 20 years.

These end plates are your best option for applications that require field flexibility as they accept almost any size cable and will accommodate a wide variety of cable configurations. Also, any bond connector can be used and fixed sheath opening dimensions do not depend on bond connector placement. However, electric service is needed for the Power End Plate Cutter to field drill the End Plates, and these End Plates cannot be reused.

### Two-Section End Plate



### Three-Section End Plate



### Design Features:

The ARMADILLO Drillable End Plates can accommodate a variety of cables, cable sizes and cable configurations and feature two-section and three-section designs. They are available with grounding and air valve inserts for air pressurization, aerial support and grounding through the end plate.

### Interchangeable:

ARMADILLO Drillable End Plates are available in two and three sections designs for use with 4" (102 mm), 6.5" (165 mm), 8.0" (203 mm), 9.5" (241 mm), and 12.5" (318 mm) diameter shell kits.

End Plate Size	"F" (mm)
4.0" (102)	2.2" (56)
6.5" (165)	4.1" (104)
8.0" (203)	5.6" (142)
9.5" (241)	7.1" (180)
12.5" (318)	9.3" (236)

End Plate Size (mm)	Maximum Combined Cable Diameters (mm)			
	1 Cable	2 Cables	3 Cables	4 Cables
4.0" (102)	2.2" (56)	1.95" (50)	1.70" (43)	1.45" (37)
6.5" (165)	4.1" (104)	3.85" (98)	3.60" (91)	3.35" (85)
8.0" (203)	5.6" (142)	5.35" (136)	5.10" (130)	4.85" (123)
9.5" (241)	7.1" (180)	6.85" (174)	6.60" (168)	6.35" (161)
12.5" (318)	9.3" (236)	9.05" (230)	8.80" (224)	8.55" (217)





Minimum distance between holes on opposite seam ("G")

End Plate Size (mm)	G (mm)
6.5" (165)	3/8" (10)
8.0" & 9.5" (203 & 241)	1/2" (13)
12.5" (318)	3/4" (19)







# ARMADILLO® Drillable End Plate Kits

## Two-Section End Plates: One per kit

Size (mm)	Catalog Number				Shipping Weight (kg)
	Inserts				
	None	Ground Only	Air Valve Only	Ground & Air Valve	
					
4.0" (102)	8003539	8003550	8003555	8003560	3# (1)
6.5" (165)	8003540	8003551	8003556	8003561	4# (2)
8.0" (203)	8003541	8003552	8003557	8003562	6# (3)
9.5" (241)	8003542	8003553	8003558	8003563	8# (4)
12.5" (318)	8003284	8003554	8003559	8003564	12# (5)

## Three-Section End Plates: One per kit

Size (mm)	Catalog Number				Shipping Weight (kg)
	Inserts				
	None	Ground Only	Air Valve Only	Ground & Air Valve	
					
6.5" (165)	8000361	8003094	80805422	80805365	4# (2)
8.0" (203)	8003110	8003532	8003137	8003533	6# (3)
9.5" (241)	800081098	8003013	8003121	80805376	8# (4)
12.5" (318)	8003055	8003534	8003122	8003367	12# (5)