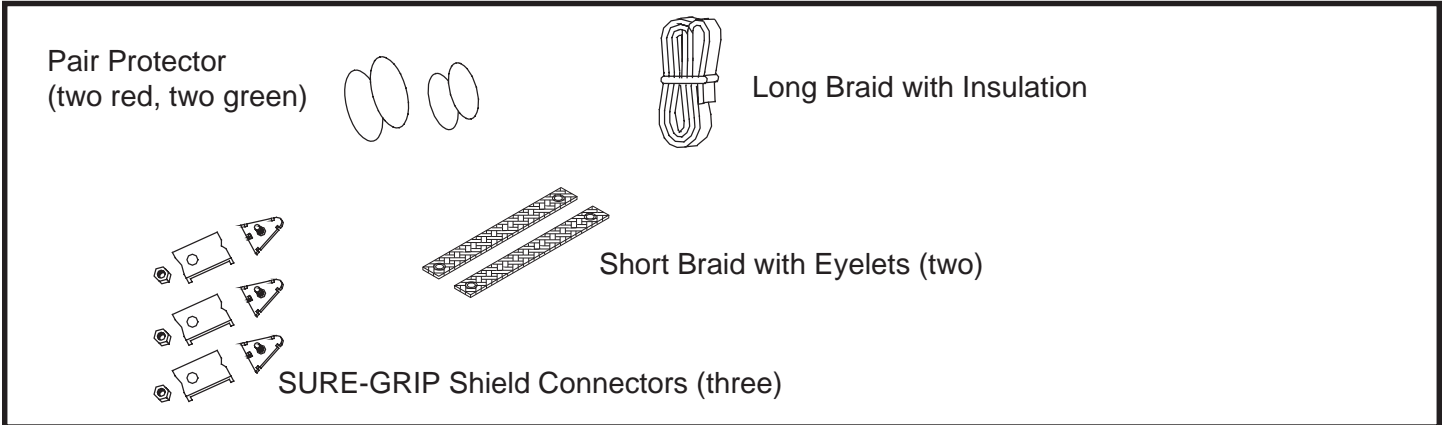
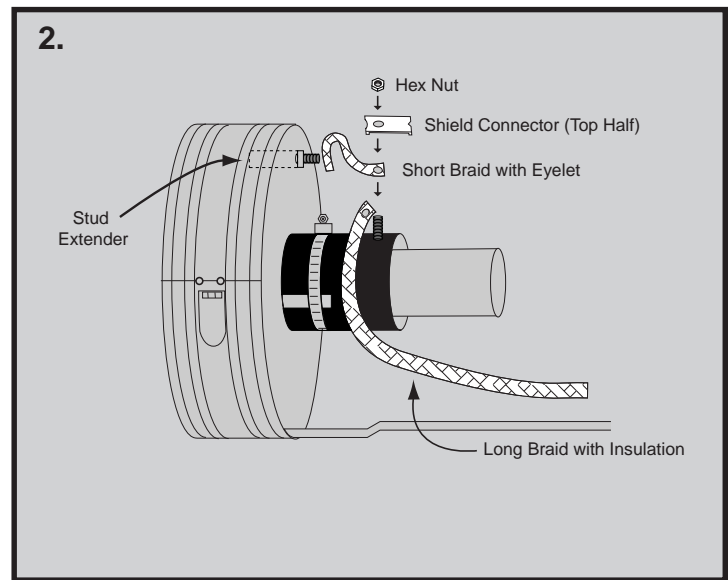
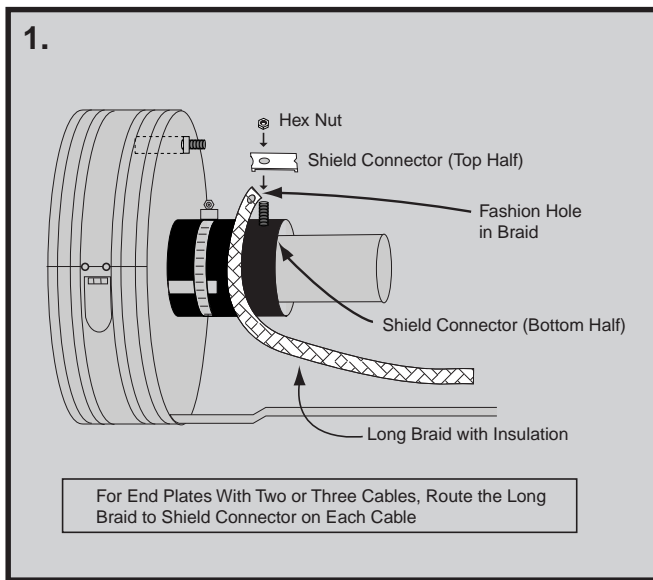




NOMENCLATURE



APPLICATION



SAFETY CONSIDERATIONS

1. This application procedure is not intended to supersede any company construction or safety standards. This procedure is offered only to illustrate safe application for the individual. **CAUTION: FAILURE TO FOLLOW THESE PROCEDURES AND RESTRICTIONS MAY RESULT IN PERSONAL INJURY OR DEATH.**
2. This product is intended for the specified application. **CAUTION: DO NOT MODIFY THIS PRODUCT UNDER ANY CIRCUMSTANCES.**
3. This product is intended for use by trained craftspeople only. This product **SHOULD NOT BE USED** by anyone who is not familiar with and trained in the use of it.
4. When working in the area of energized lines with this product, **EXTRA CARE** should be taken to prevent accidental electrical contact.
5. For **PROPER PERFORMANCE AND PERSONAL SAFETY** be sure to select the proper size **PREFORMED™** products before application.
6. **PREFORMED™** products are precision devices. To insure proper performance, they should be stored in cartons under cover and handled carefully.