



COYOTE® UNIVERSAL MOUNTING BRACKET FOR HANDHOLE APPLICATIONS

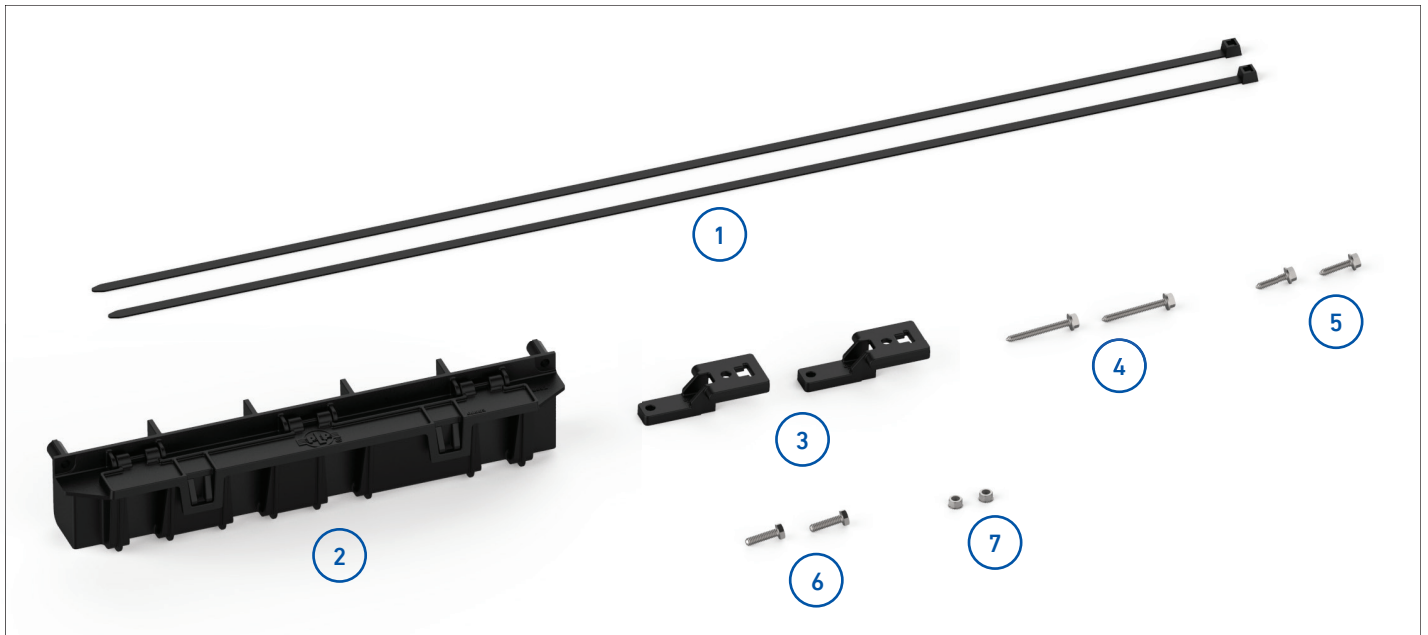
INSTALLATION INSTRUCTIONS

IMPORTANT SAFETY INFORMATION

READ AND COMPLETELY UNDERSTAND ALL INSTRUCTIONS BEFORE INSTALLING PRODUCT. FAILURE TO FOLLOW THESE INSTRUCTIONS MAY RESULT IN PERSONAL INJURY OR DEATH.

This product is intended for use by trained technicians only. This product should not be used by anyone who is not familiar with and not trained to use it. When working in the area of energized lines, extra care should be taken to prevent accidental electrical contact. Be sure to wear proper safety equipment per your company protocol. These instructions are not intended to supersede any company construction or safety standards. These instructions are offered only to illustrate safe installation for the individual. PLP products are intended for the specified application only. Do not modify this product under any circumstances. Do not reuse or reinstall any PLP product unless that capability is expressly indicated in the product's Installation Instructions. For proper performance and personal safety, be sure to select the proper PLP product before installation. PLP products are precision devices. To ensure proper performance, they should be stored in cartons under cover and handled carefully.

PACKAGE COMPONENTS



1. 36" Long Plastic Tie Wraps (2)
2. Universal Mounting Bracket (1)
3. Universal Hanger Brackets (2)
4. 1/4"-20 x 2" Hex Flange Head Lag Bolts (2)
5. 1/4"-20 x 1" Hex Flange Head Lag Bolts (2)
6. 1/4"-20 x 1" Hex Head Bolts (2)
7. 1/4"-20 KEPS Nuts (2)

Tools Required:

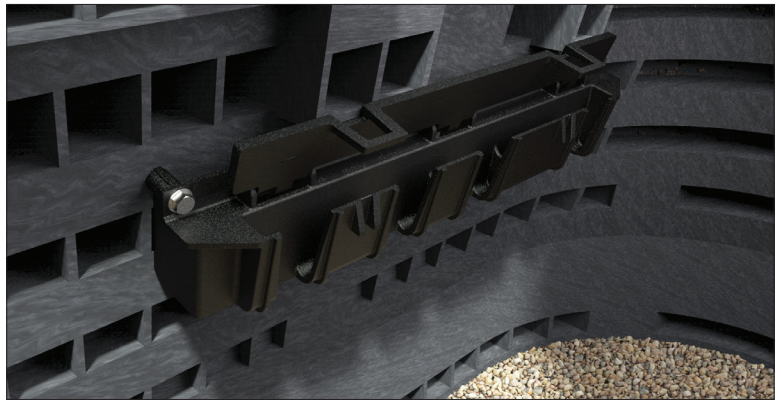
- 3/8" & 7/16" Can Wrench or Socket Wrench
- Electric Drill
- Snips

INSTALLATION & PREPARATION

- 1 Secure the universal mounting bracket to the inner wall of the handhole using the 2" long lag bolts.



- 2 Unlatch the hinged cover of the universal mounting bracket and rotate it to the open position.

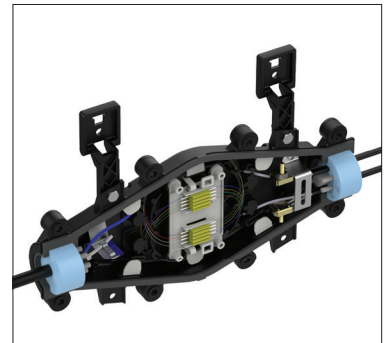
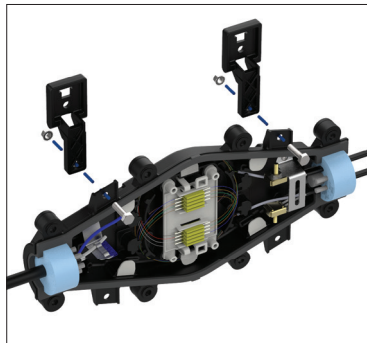


PREPARATION & INSTALLATION OF THE COYOTE LCC

- 3 Secure the hanger brackets to the back side of the tabs on the base of the closure using the 1" hex bolts and KEPS nuts.

CAUTION

Do not use power tools to tighten down the hex head bolts and KEPS nuts. Doing so can cause damage to the hanger brackets or the base of the closure.



4

Attach and secure the cover of the closure to the base of the closure.

CAUTION

Do not use power tools to tighten down the hex head bolts of the cover. Doing so can cause damage to the cover or the base of the closure.



5

Slide the hanger brackets into the proper slots of the universal mounting bracket. Close the hinged cover and secure it into place.

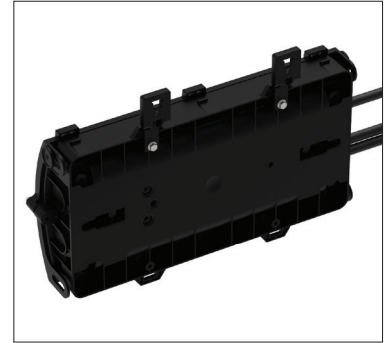
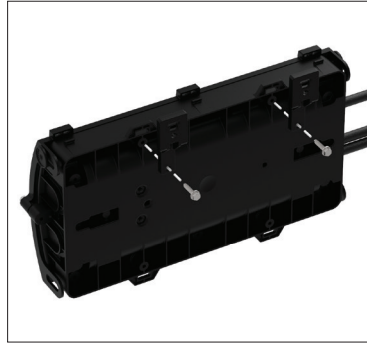


PREPARATION & INSTALLATION OF THE COYOTE IN-LINE RUNT CLOSURE

- 6 Secure the hanger brackets to the bottom of the closure's base with the 1" long lag bolts.

CAUTION

Do not use power tools to install the lag bolts. Doing so can cause damage to the hanger brackets or the base of the closure.



- 7 Slide the hanger brackets into the proper slots of the universal mounting bracket. Close the hinged cover and secure it into place.

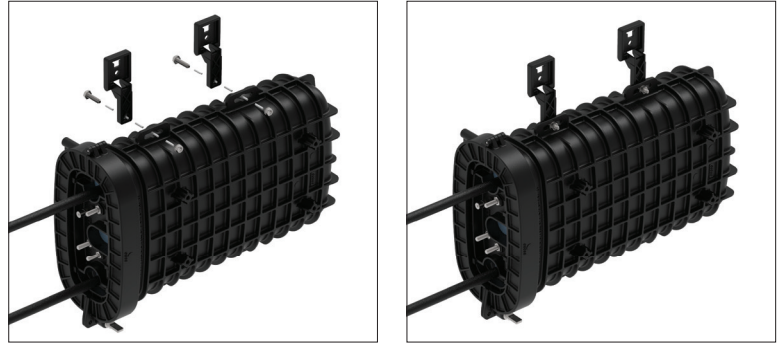


PREPARATION & INSTALLATION OF THE COYOTE ONE DOME CLOSURE

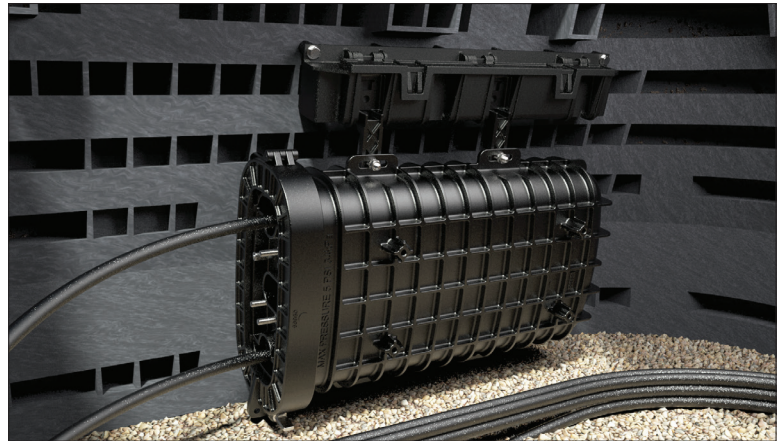
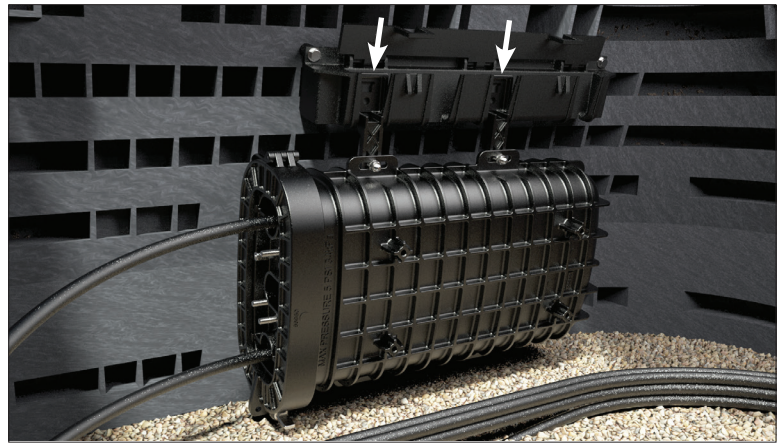
- 8 Secure the hanger brackets to the mounting tabs of the dome of the closure using the 1" hex bolts and KEPS nuts.

CAUTION

Do not use power tools to tighten down the hex head bolts and KEPS nuts. Doing so can cause damage to the hanger brackets or the mounting tabs of the dome of the closure.



- 9 Slide the hanger brackets into the proper slots of the universal mounting bracket. Close the hinged cover and secure it into place.



PREPARATION & INSTALLATION

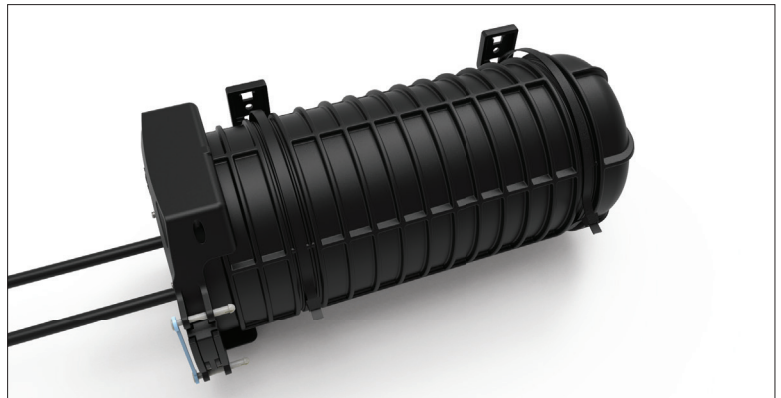
OF THE COYOTE 6.5" DOME CLOSURES

- 10** Insert a plastic tie wrap through the slot of each hanger bracket.

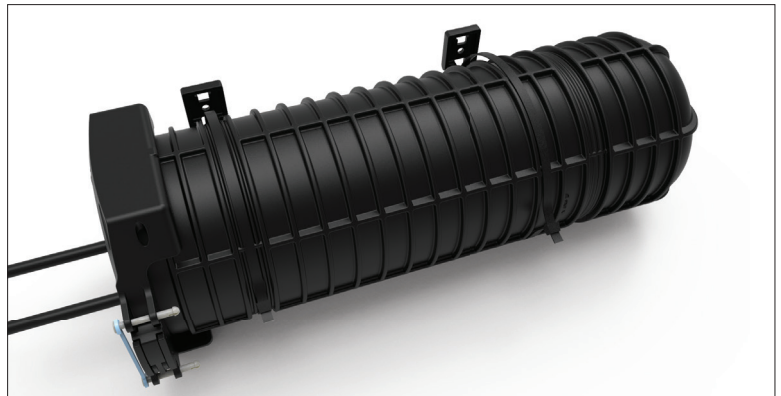


- 11** Position the hanger brackets in the channels of the dome as shown and tighten the plastic tie wraps until the hanger brackets are secured.

NOTE: The hanger bracket should not be positioned in the banding channel near the butt end of the dome of the COYOTE 6.5" x 22" Dome Closure. Position the hanger bracket between the 2nd and 3rd rib from the banding channel towards the center of the closure.



COYOTE 6.5" x 17" Dome Closure



COYOTE 6.5" x 22" Dome Closure

- 12 Slide the hanger brackets into the proper slots of the universal mounting bracket.



COYOTE 6.5" x 17" Dome Closure



COYOTE 6.5" x 22" Dome Closure

- 13 Close the hinged cover and secure it into place.



COYOTE 6.5" x 17" Dome Closure



COYOTE 6.5" x 22" Dome Closure



APPENDIX A

COYOTE Universal Mounting Bracket Kit for Handhole Applications

Catalog Number	Description
8003835	Universal Mounting Bracket – Handhole Applications



GLOBAL HEADQUARTERS
660 BETA DRIVE
CLEVELAND, OH 44143

+1 440 461 5200
PLP.COM
INFO@PLP.COM