



POLE/WALL MOUNTING BRACKET FOR COYOTE® 6.5" DOME CLOSURE

INSTALLATION INSTRUCTIONS

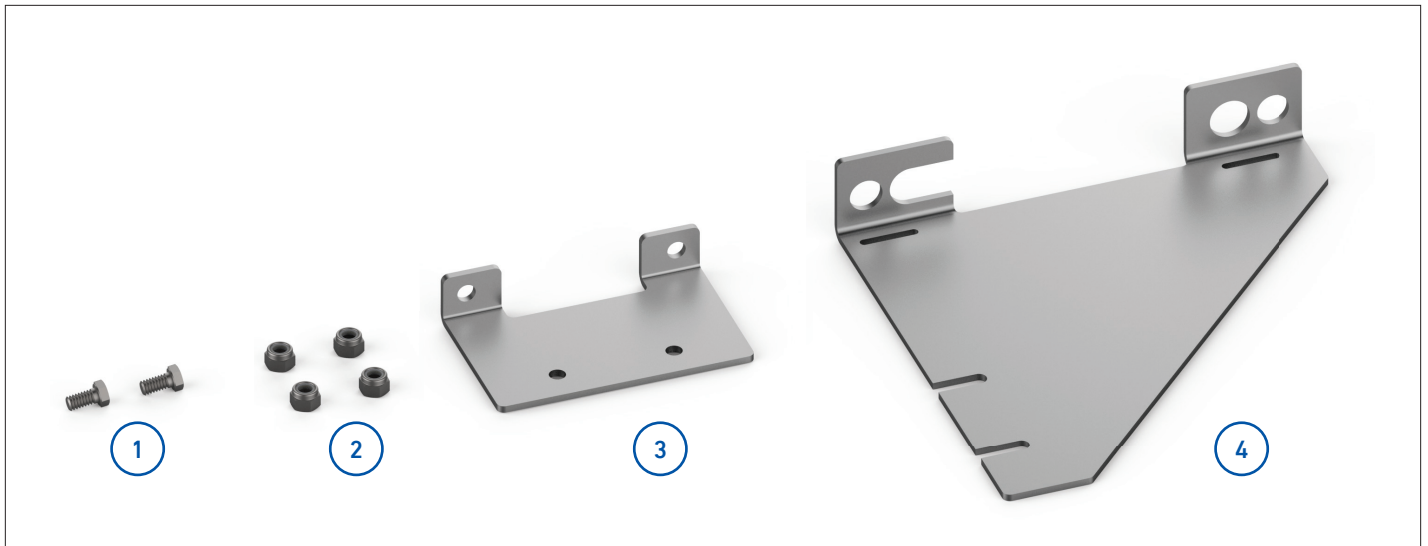


IMPORTANT SAFETY INFORMATION

READ AND COMPLETELY UNDERSTAND ALL INSTRUCTIONS BEFORE INSTALLING PRODUCT. FAILURE TO FOLLOW THESE INSTRUCTIONS MAY RESULT IN PERSONAL INJURY OR DEATH.

This product is intended for use by trained technicians only. This product should not be used by anyone who is not familiar with and not trained to use it. When working in the area of energized lines, extra care should be taken to prevent accidental electrical contact. Be sure to wear proper safety equipment per your company protocol. These instructions are not intended to supersede any company construction or safety standards. These instructions are offered only to illustrate safe installation for the individual. PLP products are intended for the specified application only. Do not modify this product under any circumstances. Do not reuse or reinstall any PLP product unless that capability is expressly indicated in the product's Installation Instructions. For proper performance and personal safety, be sure to select the proper PLP product before installation. PLP products are precision devices. To ensure proper performance, they should be stored in cartons under cover and handled carefully.

PACKAGE COMPONENTS



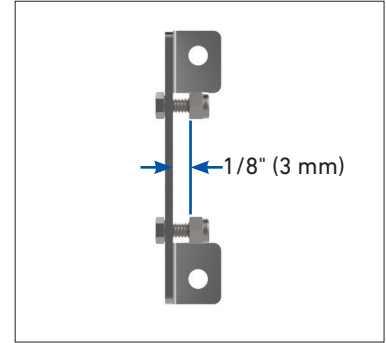
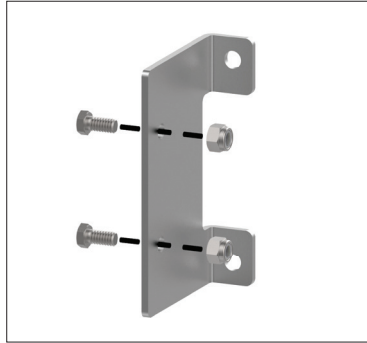
1. 1/4"-20 x 1/2" Hex Head Bolts (2)
2. 1/4"-20 x 3/4" Nyloc Nuts (4)
3. End Plate Mounting Bracket (1)
4. Pole/Wall Mounting Bracket (1)

Tools Required:

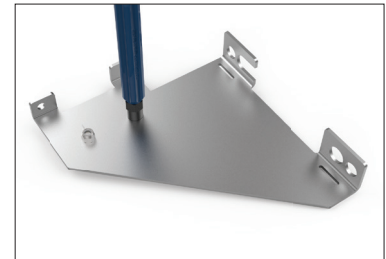
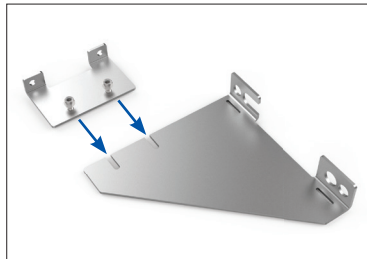
- 3/8" & 7/16" Can Wrench or Socket Wrench
- Adjustable Crescent Wrench

PREPARATION AND INSTALLATION

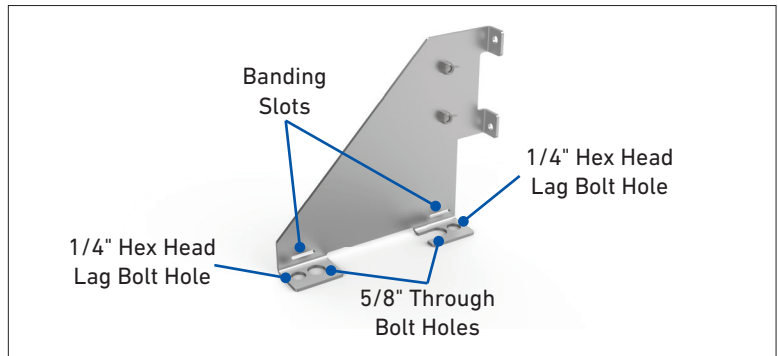
- 1 Insert the bolts through the end plate mounting bracket and install a nyloc nut on each bolt until there is a 1/8" (3 mm) gap between the nut and the end plate mounting bracket.



- 2 Slide the bolts of the end plate mounting bracket into the slots of the pole/wall mounting bracket and tighten the nyloc nuts until the brackets are secure.



- 3 Attach the dome pole/wall mount bracket assembly to a pole or wall with either 5/8" through bolts, 1/4" hex head lag bolt, or banding straps.



Lag Bolt Installation



Banding Installation

- 4 Insert the studs of the closure end plate through the holes of the end plate mounting bracket of the pole/wall mount bracket assembly and secure the closure to the bracket with the remaining nyloc nuts.



APPENDIX A

COYOTE 6.5" Dome Closure Pole/Wall Mounting Bracket Kit

Catalog Number	Description
8003702	Pole/Wall Mount Bracket



GLOBAL HEADQUARTERS
660 BETA DRIVE
CLEVELAND, OH 44143

+1 440 461 5200
INFO@PLP.COM
PLP.COM