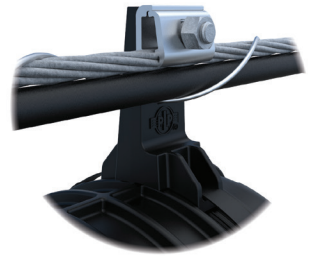




## AERIAL MOUNTING BRACKETS FOR COYOTE® 6.5" & 9.5" DOME CLOSURES



### INSTALLATION INSTRUCTIONS

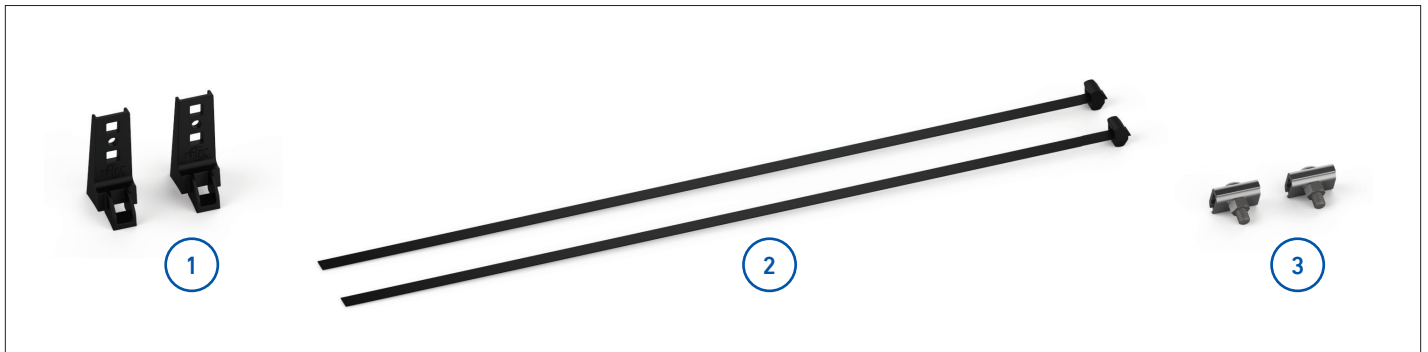
#### IMPORTANT SAFETY INFORMATION

**READ AND COMPLETELY UNDERSTAND ALL INSTRUCTIONS BEFORE INSTALLING PRODUCT. FAILURE TO FOLLOW THESE INSTRUCTIONS MAY RESULT IN PERSONAL INJURY OR DEATH.**

This product is intended for use by trained technicians only. This product should not be used by anyone who is not familiar with and not trained to use it. When working in the area of energized lines, extra care should be taken to prevent accidental electrical contact. Be sure to wear proper safety equipment per your company protocol. These instructions are not intended to supersede any company construction or safety standards. These instructions are offered only to illustrate safe installation for the individual. PLP products are intended for the specified application only. Do not modify this product under any circumstances. Do not reuse or reinstall any PLP product unless that capability is expressly indicated in the product's Installation Instructions. For proper performance and personal safety, be sure to select the proper PLP product before installation. PLP products are precision devices. To ensure proper performance, they should be stored in cartons under cover and handled carefully.

### PACKAGE COMPONENTS

BRACKET KIT FOR COYOTE® 6.5" DOME CLOSURE  
STRAND APPLICATIONS



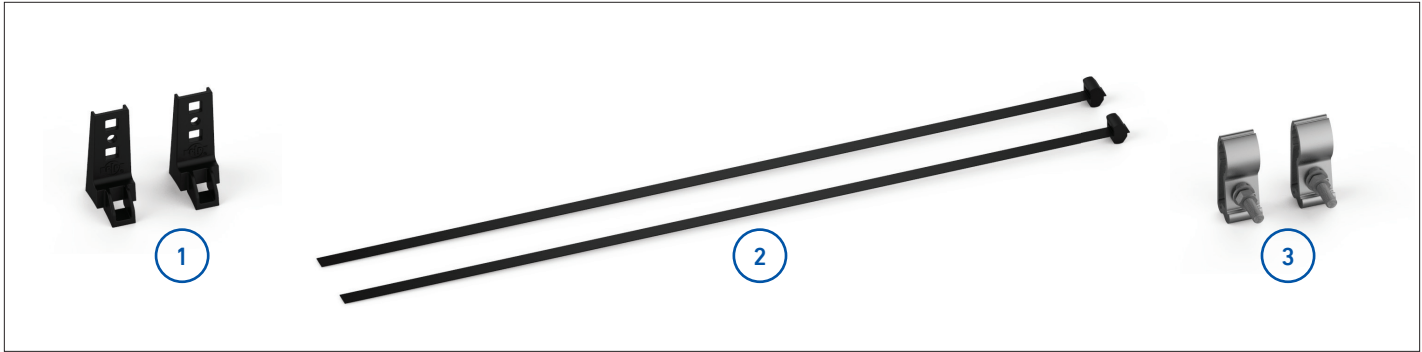
1. Dome Aerial Hanger Brackets (2)
2. Plastic Straps (2)
3. Strand Clamps (2)

#### Tools Required:

- Snips
- Adjustable Crescent Wrench

## PACKAGE COMPONENTS

BRACKET KIT FOR COYOTE® 6.5" DOME CLOSURE  
ADSS APPLICATIONS



1. Dome Aerial Hanger Brackets (2)
2. Plastic Straps (2)
3. ADSS Clamps (2)

### Tools Required:

- Snips
- Adjustable Crescent Wrench

## PACKAGE COMPONENTS

BRACKET KIT FOR COYOTE® 9.5" DOME CLOSURE  
STRAND APPLICATIONS



1. Dome Aerial Hanger Brackets (2)
2. Hose Clamps (4)
3. Strand Clamps (2)

### Tools Required:

- 5/16" Nut Driver or Flat Head Screwdriver
- Adjustable Crescent Wrench

## PACKAGE COMPONENTS

BRACKET KIT FOR COYOTE® 9.5" DOME CLOSURE  
ADSS APPLICATIONS



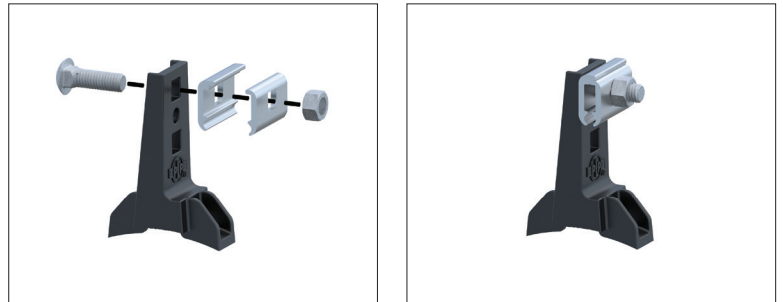
1. Dome Aerial Hanger Brackets (2)
2. Hose Clamps (4)
3. ADSS Clamps (2)

### Tools Required:

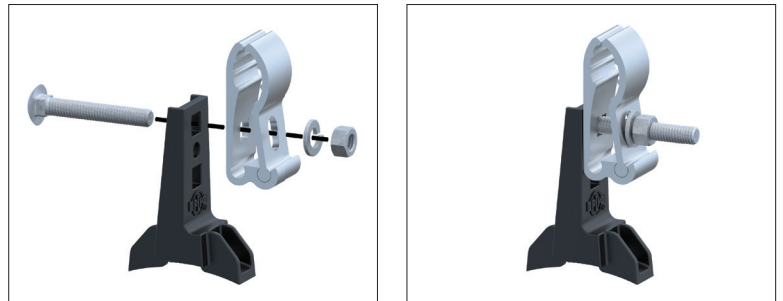
- 5/16" Nut Driver or Flat Head Screwdriver
- Adjustable Crescent Wrench

## AERIAL MOUNTING BRACKET PREPARATION AND INSTALLATION

- 1 Assemble each strand clamp or ADSS clamp to each Dome Aerial Hanger Bracket as shown.

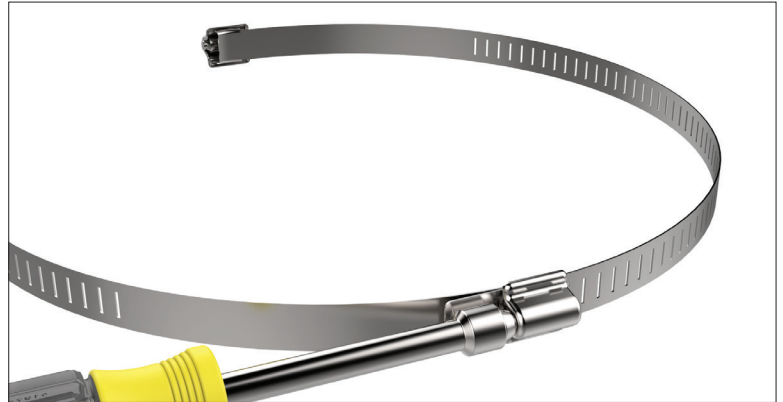


Strand Clamp Installation

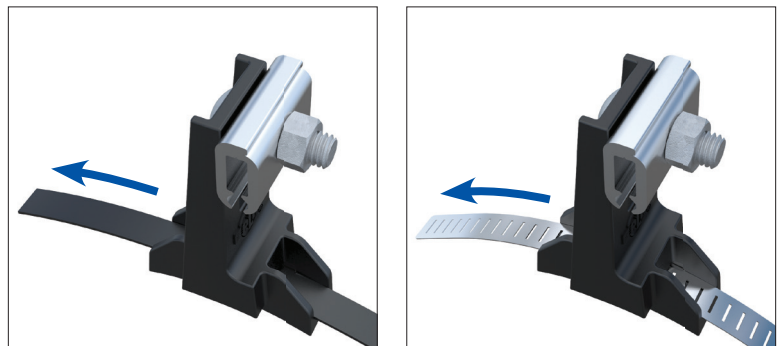


ADSS Clamp Installation

- 2 For COYOTE 9.5" Dome Closure Aerial Mounting Bracket Kits, secure the tail of one hose clamp to the head of one of the other hose clamps. Secure the remaining two hose clamps together the same way.



- 3 Insert a plastic strap or hose clamp assembly through the slots of each Dome Aerial Hanger Bracket.

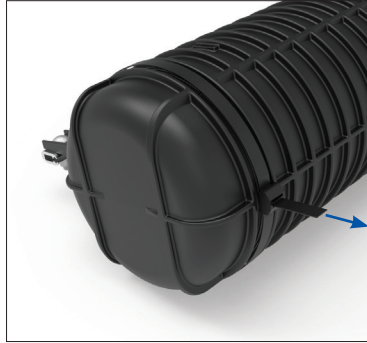


Plastic Strap

Hose Clamp

- 4 Place the plastic straps or hose clamp assemblies in the channels of the dome and tighten the plastic straps/hose clamp assemblies to secure the mounting brackets to the dome.

**NOTE:** Trim the ends of the plastic straps once they are tightened.

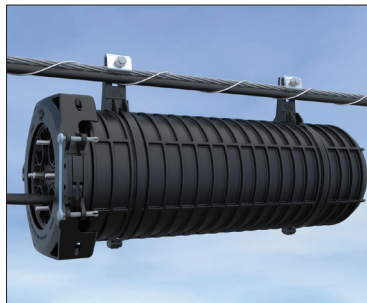


Installing Plastic Strap on COYOTE 6.5" Dome Closure



Installing Hose Clamp on COYOTE 9.5" Dome Closure

- 5 Secure either the strand clamps to the messenger wire of the cable span or the ADSS clamps to the installed ADSS dead-end of the cable span by tightening the nut of each clamp.



Completed Installation for Strand



Completed Installation for ADSS

## APPENDIX A

### COYOTE 6.5" and 9.5" Dome Closure Aerial Mounting Bracket Kits

Catalog Number	Description
8003831	Aerial Mounting Bracket for COYOTE 6.5" Dome Closures for Strand Applications – Includes (2) Plastic Straps
8003833	Aerial Mounting Bracket for COYOTE 6.5" Dome Closures for ADSS Applications – Includes (2) Plastic Straps
8003940	Aerial Mounting Bracket for COYOTE 9.5" Dome Closures for Strand Applications – Includes (4) Large Hose Clamps
8003869	Aerial Mounting Bracket for COYOTE 9.5" Dome Closures for ADSS Applications – Includes (4) Large Hose Clamps