



# ADJUSTABLE OFFSET AERIAL MOUNTING BRACKETS FOR COYOTE® 6.5" AND 9.5" DOME CLOSURES



## INSTALLATION INSTRUCTIONS

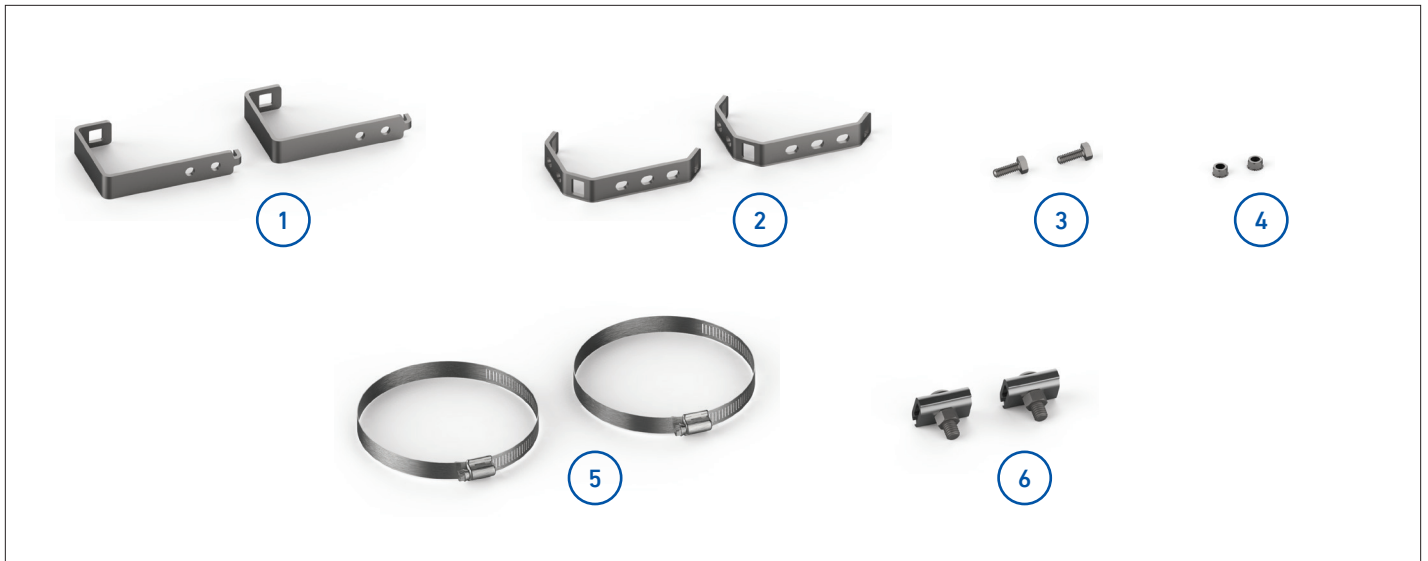
### IMPORTANT SAFETY INFORMATION

**READ AND COMPLETELY UNDERSTAND ALL INSTRUCTIONS BEFORE INSTALLING PRODUCT. FAILURE TO FOLLOW THESE INSTRUCTIONS MAY RESULT IN PERSONAL INJURY OR DEATH.**

This product is intended for use by trained technicians only. This product should not be used by anyone who is not familiar with and not trained to use it. When working in the area of energized lines, extra care should be taken to prevent accidental electrical contact. Be sure to wear proper safety equipment per your company protocol. These instructions are not intended to supersede any company construction or safety standards. These instructions are offered only to illustrate safe installation for the individual. PLP products are intended for the specified application only. Do not modify this product under any circumstances. Do not reuse or reinstall any PLP product unless that capability is expressly indicated in the product's Installation Instructions. For proper performance and personal safety, be sure to select the proper PLP product before installation. PLP products are precision devices. To ensure proper performance, they should be stored in cartons under cover and handled carefully.

## PACKAGE COMPONENTS

BRACKET KIT FOR COYOTE 6.5" DOME CLOSURE  
STRAND APPLICATIONS



1. Top Aerial Hanger Bracket (2)
2. Bottom Aerial Hanger Bracket (2)
3. 1/4"-20 x 3/4" Hex Head Bolts (2)
4. 1/4"-20 Keps Nuts (2)
5. Hose Clamps (2)
6. Strand Clamps (2)

### Tools Required:

- 3/8" & 7/16" Can Wrench or Socket Wrench
- 5/16" Nut Driver or Flat Head Screwdriver
- Adjustable Crescent Wrench

## PACKAGE COMPONENTS

BRACKET KIT FOR COYOTE 6.5" DOME CLOSURE  
ADSS APPLICATIONS



1. Top Aerial Hanger Bracket (2)
2. Bottom Aerial Hanger Bracket (2)
3. 1/4"-20 x 3/4" Hex Head Bolts (2)
4. 1/4"-20 Keps Nuts (2)
5. Hose Clamps (2)
6. ADSS Clamps (2)

### Tools Required:

- 3/8" & 7/16" Can Wrench or Socket Wrench
- 5/16" Nut Driver or Flat Head Screwdriver
- Adjustable Crescent Wrench

## PACKAGE COMPONENTS

BRACKET KIT FOR COYOTE 9.5" DOME CLOSURE  
STRAND APPLICATIONS



1. Top Aerial Hanger Bracket (2)
2. Bottom Aerial Hanger Bracket (2)
3. 1/4"-20 x 3/4" Hex Head Bolts (2)
4. 1/4"-20 Keps Nuts (2)
5. Hose Clamps (4)
6. Strand Clamps (2)

### Tools Required:

- 3/8" & 7/16" Can Wrench or Socket Wrench
- 5/16" Nut Driver or Flat Head Screwdriver
- Adjustable Crescent Wrench

## PACKAGE COMPONENTS

BRACKET KIT FOR COYOTE 9.5" DOME CLOSURE  
ADSS APPLICATIONS



1. Top Aerial Hanger Bracket (2)
2. Bottom Aerial Hanger Bracket (2)
3. 1/4"-20 x 3/4" Hex Head Bolts (2)
4. 1/4"-20 Keps Nuts (2)
5. Hose Clamps (4)
6. ADSS Clamps (2)

### Tools Required:

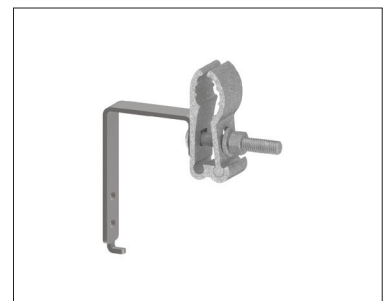
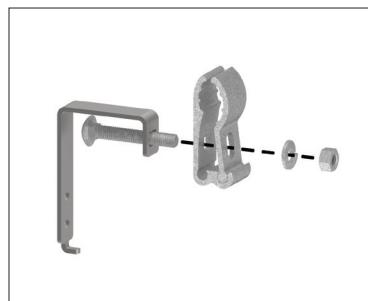
- 3/8" & 7/16" Can Wrench or Socket Wrench
- 5/16" Nut Driver or Flat Head Screwdriver
- Adjustable Crescent Wrench

## PREPARATION AND INSTALLATION

- 1 Assemble each strand clamp or ADSS clamp to each top aerial hanger bracket as shown.



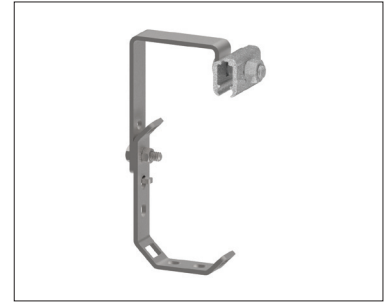
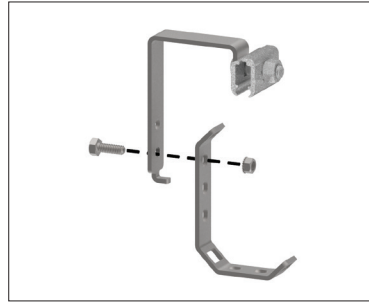
Strand Clamp Installation



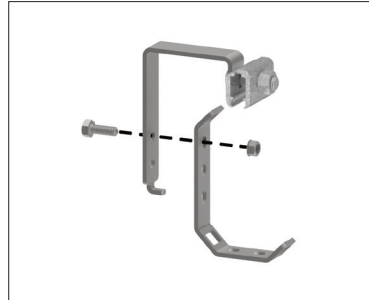
ADSS Clamp Installation

**2A**

For taller spacing, align the top aerial hanger bracket with the bottom aerial hanger bracket in either Position 1 or Position 2 as shown and secure with the bolt and keps nut provided.



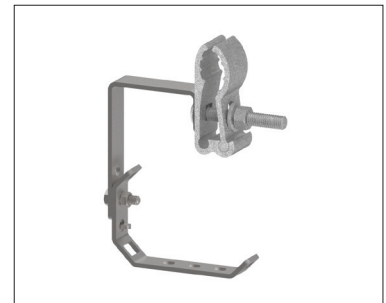
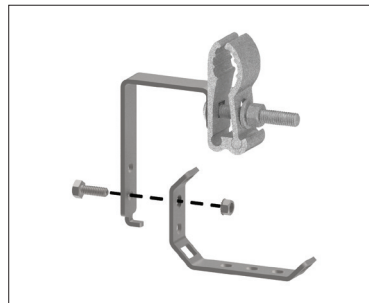
Position 1 - Strand Clamp Shown



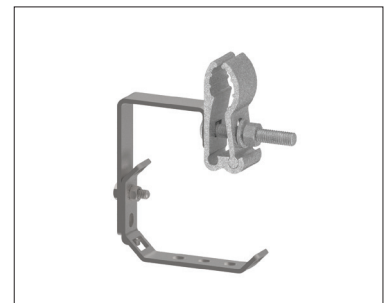
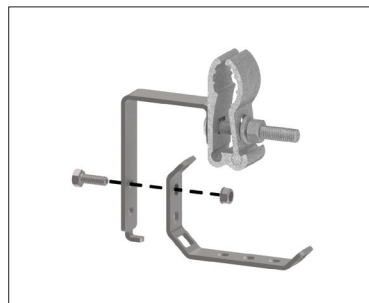
Position 2 - Strand Clamp Shown

**2B**

For shorter spacing, align the top aerial hanger bracket with the bottom aerial hanger bracket in either Position 1 or Position 2 as shown and secure with the bolt and keps nut provided.



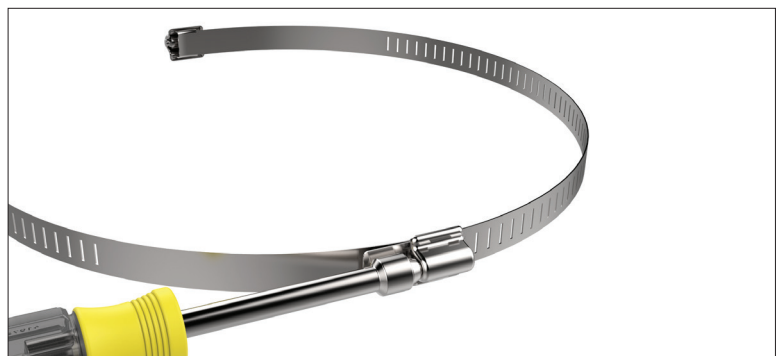
Position 1 - ADSS Clamp Shown



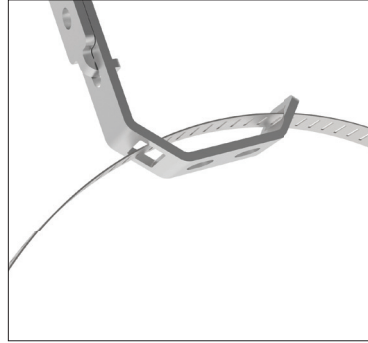
Position 2 - ADSS Clamp Shown

**3**

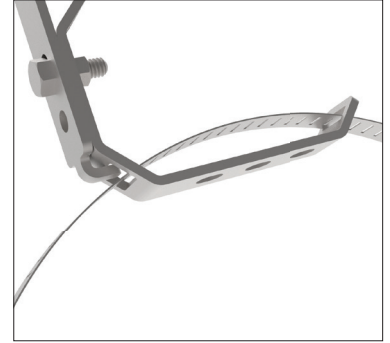
For COYOTE 9.5" Dome Closure Adjustable Offset Aerial Mounting Bracket Kits, secure the tail of one hose clamp to the head of the other hose clamp.



- 4** Insert a hose clamp through the slots in each of the bottom aerial hanger brackets.



Tall Spacing Applications



Short Spacing Applications

- 5** Place the hose clamps in the channels of the dome and tighten each hose clamp/hose clamp assembly to secure the mounting brackets to the dome.



Installing Hose Clamp on COYOTE 6.5" Dome Closure

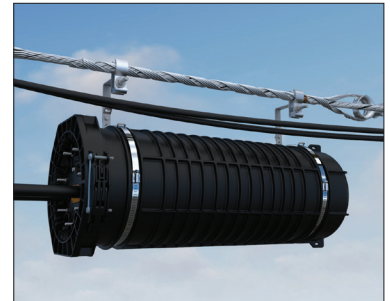


Installing Hose Clamp on COYOTE 9.5" Dome Closure

- 6** Secure either the strand clamps to the messenger wire of the cable span or the ADSS clamps to the installed ADSS dead-end of the cable span by tightening the nut of each clamp.



Completed Installation for Strand



Completed Installation for ADSS

## APPENDIX A

### COYOTE 6.5" and 9.5" Dome Closure Adjustable Offset Aerial Mounting Bracket Kits

Catalog Number	Description
8004035	Aerial Adjustable Offset Mounting Bracket for COYOTE 6.5" Dome Closures – Strand Applications
8004036	Aerial Adjustable Offset Mounting Bracket for COYOTE 6.5" Dome Closures – ADSS Applications
8004037	Aerial Adjustable Offset Mounting Bracket for COYOTE 9.5" Dome Closures – Strand Applications
8004038	Aerial Adjustable Offset Mounting Bracket for COYOTE 9.5" Dome Closures – ADSS Applications







---

**GLOBAL HEADQUARTERS**  
660 BETA DRIVE  
CLEVELAND, OH 44143

+1 440 461 5200  
PLP.COM  
INFO@PLP.COM