



SURE-GRIP™ Shield Connector & Bonding Kit

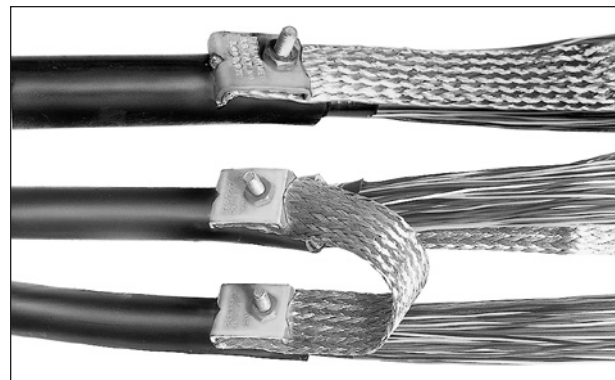
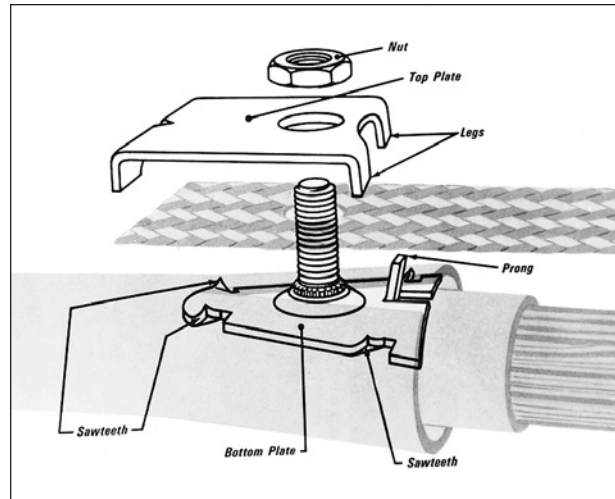
SURE-GRIP Shield Connectors

SURE-GRIP Shield Connectors are designed to provide fault-free connections in underground and above-ground cable openings in pedestal. Positive electrical continuity is provided across splices and shield openings in pedestal terminals and in overhead and underground cable. They fit any cable, can be used on either lead or plastic-sheath types, and won't move, even in a floating bond.

“No-turn” Head Eliminates Static

As the nut is tightened, bending stress on the top plate imposes high locking pressure on the connection to prevent the shield connector from moving during or after installation. Sawteeth in the bottom plate are forced into the shield to provide a conductor path from the metallic shield to the shield connector. The prong in the bottom plate penetrates the heavy metal braid to provide an additional current-carrying path across the cable opening.

Legs in the top plate compress the shield firmly against the sawteeth in the bottom plate to prevent the top from moving when the nut is tightened. Noise that is annoying on voice circuit is minimized and heavy electrical surges, large enough to burn out other types of shield connectors, are carried safely across the conductor path.



Catalog Number	Description (mm)	Specifications	No. Per Carton
8000711	For cables 3/4" (19) and larger	Top plate – Medium carbon steel, copper plate, tin flash bottom plate stud and nut – tin plated brass	100 Units