

ANGLE E BRACKET

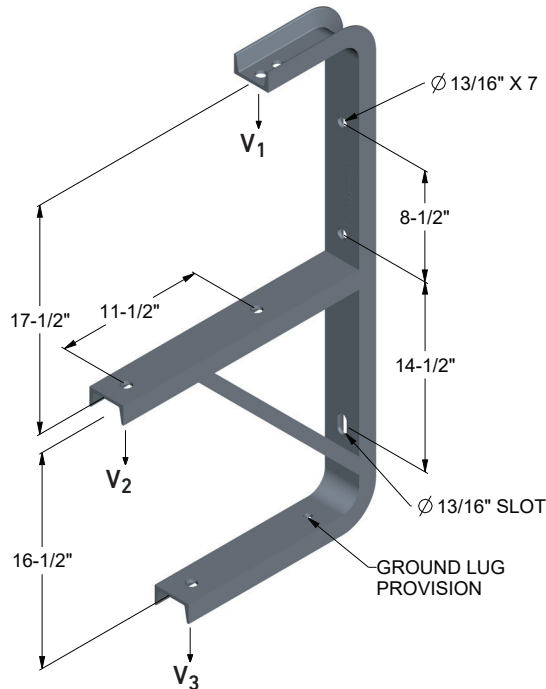
MESSENGER MOUNTING UNDER 60 DEGREES

The **Angle E Bracket with Messenger Mounting** can be used on structures where line angles do not exceed 60 degrees. The bracket provides the same benefits as the Angle Bracket for Pole Mounted Messengers but has an integrated point for attaching the MAC series messenger clamps reducing the overall cost of construction. The bracket is ideally suited to be used with INSULIGN® Tie Top Insulators with Coated Ties or INSULIGN Vise Top Insulators. The brackets are interchangeable with other manufacturers' spacer cable systems.

FEATURES AND BENEFITS

- Maintains the spacer cable system's configuration through angle poles and provides electrical shielding due to location of messenger clamp
- Pole mounting is achieved by using either 5/8" or 3/4" double arming or through bolts (not included)
- The upper arm accepts the MAC-6201 directly or the MAC-6301 by using the U-563 U-bolt
- Provisional ground lug hole
- Cost-effective alternative to crossarm transitions

DIMENSIONS



Angle E Bracket with Messenger under 60 Degrees
(Catalog Number: ABE-15)

Catalog Number	System Voltage	Line Angle	Conductor Size	Insulator(s)	Insulator Pin Length*	Double Pin Mounting DIP-10 Insulator Plate
		Degrees			in	
ABE-15	15kV	up to 60	All	IP-15-X IP-15-VTY IP-15-PVTY	5	User discretion

*This is the minimum insulator pin length required for clearance of the insulator with the channel bracket
X = Neck size designation, Y = Vise Top insert material, Z = Insulator pin size – 1" or 1-3/8"

ORDERING INFORMATION

Angle E Bracket with Messenger Mounting Under 60 Degrees

Catalog Number	System Voltage	Minimum Yield Load			Weight	Material
		V1	V2	V3		
		lb			lb	
ABE-15	15kV & below	2500	800	1000	39	Galvanized Steel

NOTE: Hot dip galvanized per ASTM A153 or A123 (latest version)