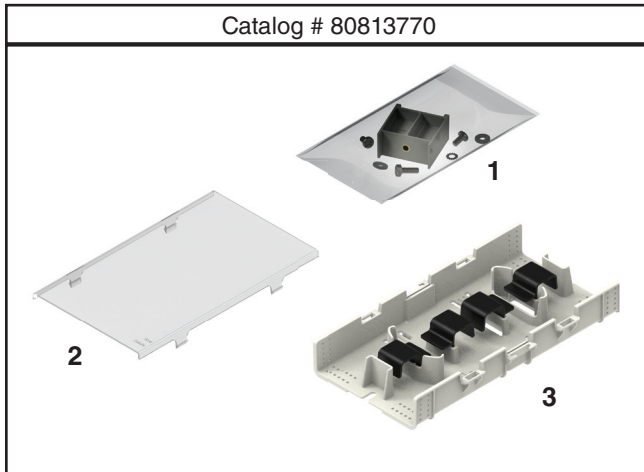




COYOTE® HD Dome Slack Basket Kit for Expressed Applications

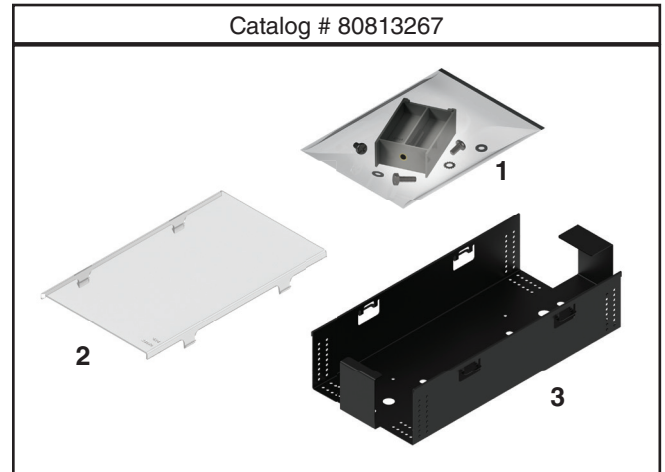
(For use only in the COYOTE Dome Closure 9.5" x 28" for High-Density Applications)

Be sure to read and completely understand this procedure before applying product. Be sure to select the proper PREFORMED™ product before application.



NOMENCLATURE

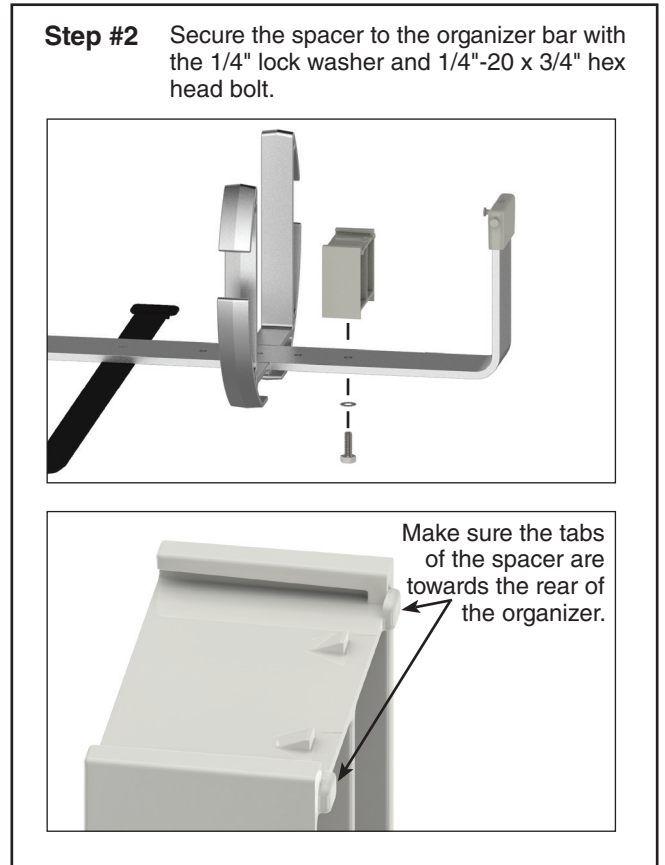
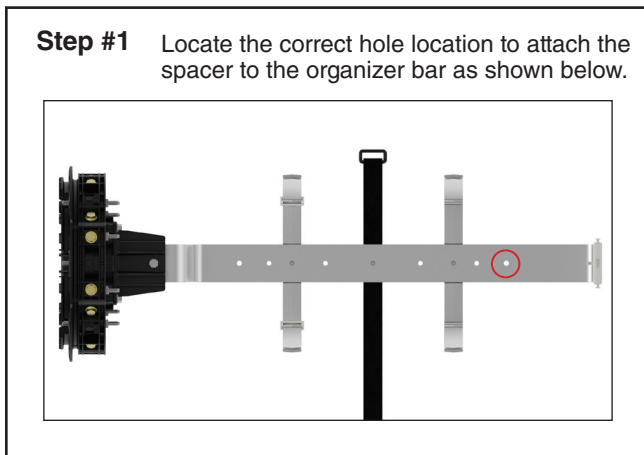
1. Small Parts Bag (1)
2. Slack Basket Cover (1)
3. COYOTE HD Dome Standard Slack Basket (1)



NOMENCLATURE

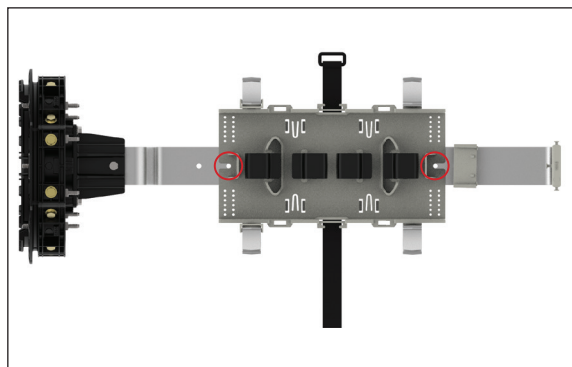
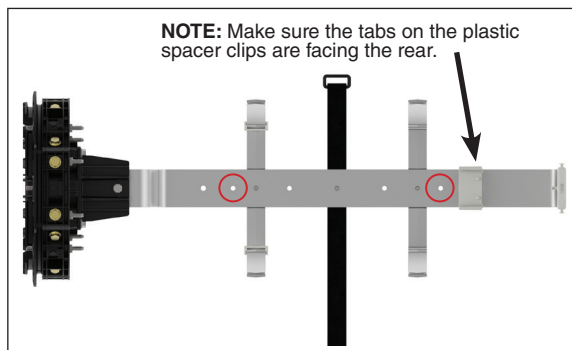
1. Small Parts Bag (1)
2. Slack Basket Cover (1)
3. COYOTE HD Dome Deep Slack Basket (1)

STANDARD SPACER INSTALLATION

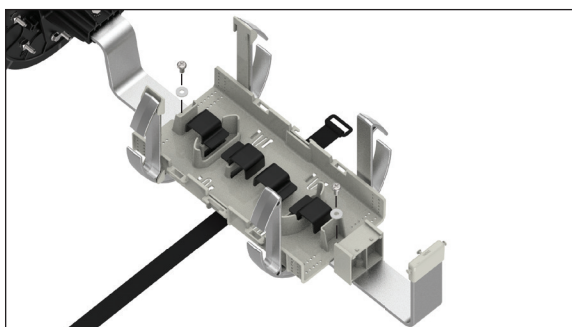


STANDARD SLACK BASKET INSTALLATION

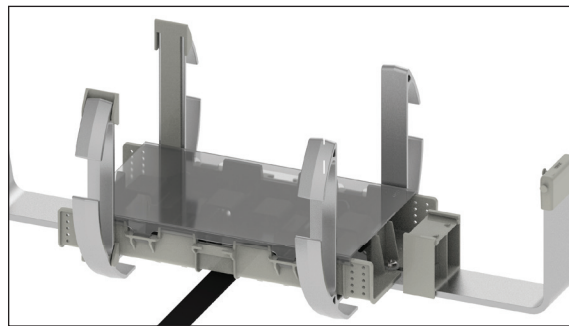
Step #3 Locate the correct hole locations to attach the slack basket to the organizer bar and align the holes as shown below.



Step #4 Secure the slack basket to the organizer bar with the 1/4" nylon washers and 1/4"-20 x 1/2" pan head bolts.

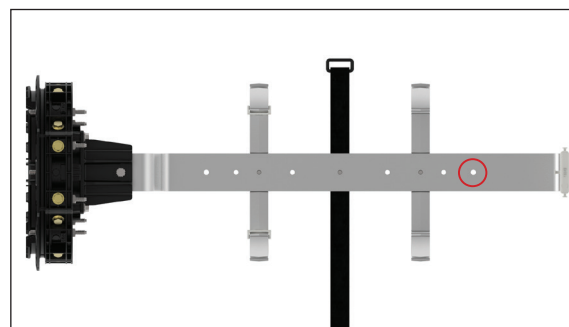


Step #5 Install the slack basket cover on the slack basket by snapping the tabs of the cover into the slots of the slack basket.

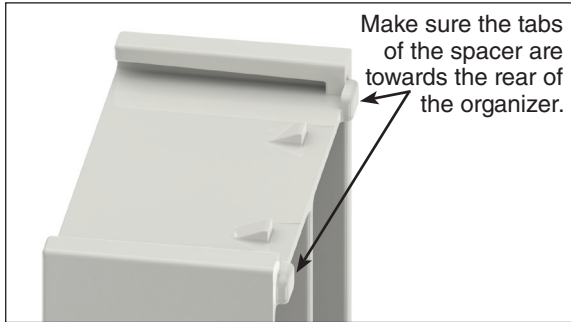
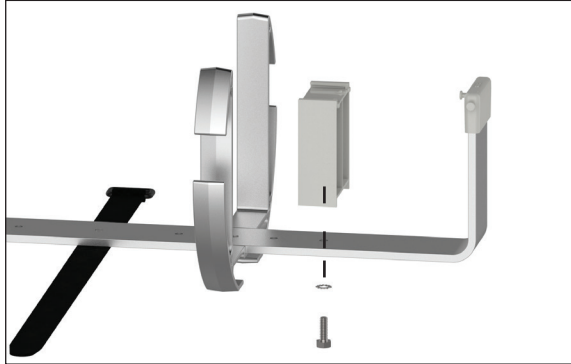


DEEP SPACER INSTALLATION

Step #1 Locate the correct hole location to attach the spacer to the organizer bar as shown below.

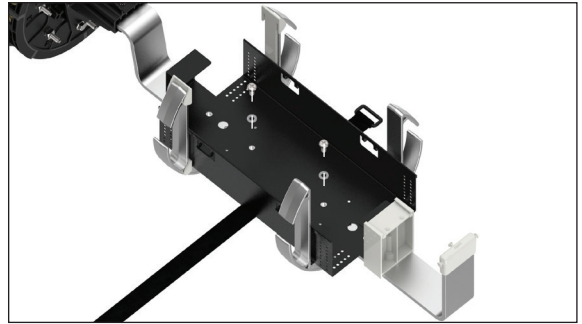


Step #2 Secure the spacer to the organizer bar with the 1/4" lock washer and 1/4"-20 x 3/4" hex head bolt.

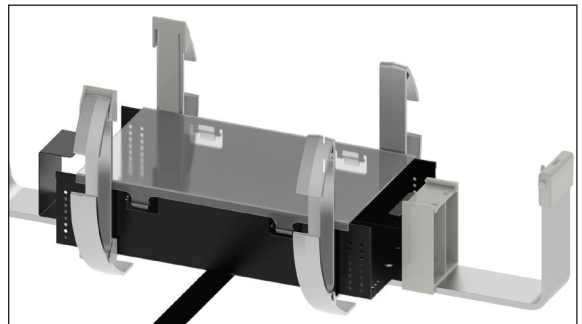


Make sure the tabs of the spacer are towards the rear of the organizer.

Step #4 Secure the slack basket to the organizer bar with the 1/4" nylon washers and 1/4"-20 x 1/2" pan head bolts.

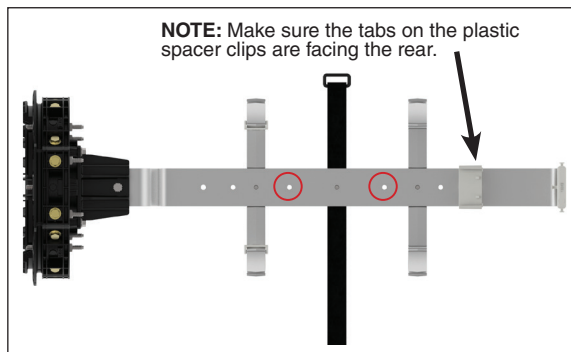


Step #5 Install the slack basket cover on the slack basket by snapping the tabs of the cover into the slots of the slack basket.

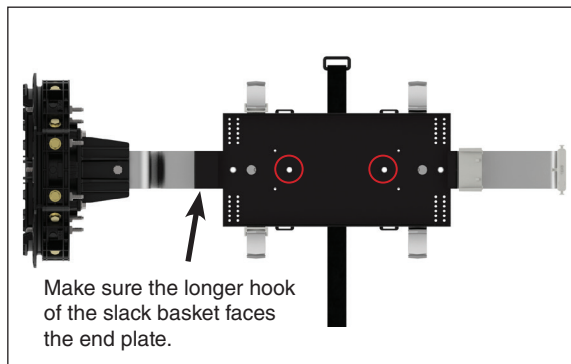


DEEP SLACK BASKET INSTALLATION

Step #3 Locate the correct hole locations to attach the slack basket to the organizer bar and align the holes as shown below.



NOTE: Make sure the tabs on the plastic spacer clips are facing the rear.



Make sure the longer hook of the slack basket faces the end plate.

SAFETY CONSIDERATIONS

This application procedure is not intended to supersede any company construction or safety standards. This procedure is offered only to illustrate safe application for the individual. **FAILURE TO FOLLOW THESE PROCEDURES MAY RESULT IN PERSONAL INJURY OR DEATH.**

Do not modify this product under any circumstances.

This product is intended for use by trained technicians only. **This product should not be used by anyone who is not familiar with, and not trained to use it.**

Be sure to wear proper safety equipment per your company protocol.

When working in the area of energized lines, extra care should be taken to prevent accidental electrical contact.

For proper performance and personal safety, be sure to select the proper size PREFORMED™ product before application.

PREFORMED products are precision devices. To ensure proper performance, they should be stored in cartons under cover and handled carefully.



PREFORMED LINE PRODUCTS

P.O. Box 91129, Cleveland, Ohio 44101 • 440.461.5200 • preformed.com • email: inquiries@preformed.com