



INSULIGN[®] GUY STRAIN INSULATOR

The **INSULIGN Guy Strain Insulator** series is intended for use with down guys or pole-to-pole guys on overhead lines. The insulative fiberglass rod electrically isolates the guy strand and provides electrical clearance for maintenance crews and the public during normal operation. Guy strain insulators provide a greater insulative distance which minimizes potential and severity of dry and wet flashover. They provide a more durable solution compared to conventional porcelain insulators.

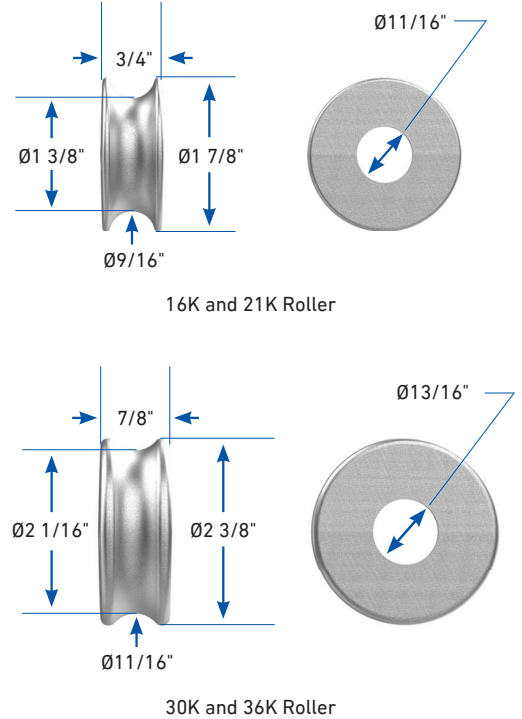
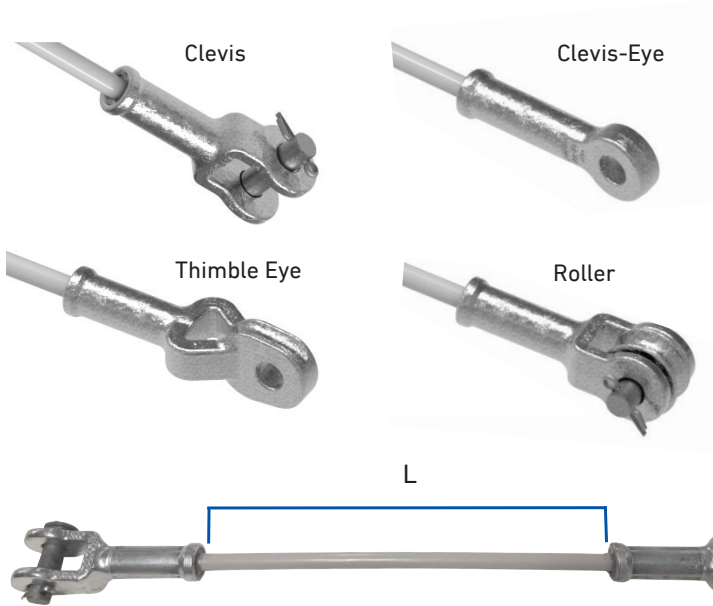
FEATURES AND BENEFITS

- Fiberglass coating rod that allows for superior performance when exposed to UV conditions
- Crimped end fittings are designed to assure consistent, high-performance holding strength
- Manufactured, tested, and verified to meet PLP's high-quality standards
- Hardware is made of hot-dipped galvanized per ASTM A153 or ASTM A123

SPECIFICATIONS

Rated Strength (lb): 16k, 21k, 30k, and 36k

INSULIGN® Guy Strain Insulators - Fiberglass includes two cable storage brackets and two pairs of hanger brackets. Cable straps and cable protection kits are optional.



ORDERING INSTRUCTIONS

INSULIGN Guy Strain Insulator

GSF XX - XX XX
 (Section 1) (Section 2) (Section 3) (Section 4)

Section 1	Section 2	Section 3	Section 4
Standard designation for Guy Strains - Fiberglass	Load Rating	Insulative Length "L" of Fiberglass	Fitting Combinations
	16 16K	12 12"	CC Clevis/Clevis
	21 21K	18 18"	CCR CCR Clevis/Clevis with Roller
	30 30K	24 24"	RR Clevis/Clevis with 2 Rollers
	36 36K	36 36"	CTE Clevis/Thimble-Eye
		42 42"	CTR Clevis/Thimble-Eye with Roller
		54 54"	CE Clevis Eye
		78 78"	
		96 96"	
		120 120"	
		144 144"	

Custom lengths available, contact PLP® for more information.



SPECIFICATIONS – CLEVIS - EYE

Rated Strength (lb): 16K, 21K minimum

Minimum Ultimate Strength Rating: 16,000 lb and 21,000 lb			
Catalog Number		Rod Length	Pin to Pin
16,000 lb	21,000 lb	in	in
GSF16-12CE	GSF21-12CE	12	20-5/8
GSF16-18CE	GSF21-18CE	18	26-5/8
GSF16-24CE	GSF21-24CE	24	32-5/8
GSF16-36CE	GSF21-36CE	36	44-5/8
GSF16-42CE	GSF21-42CE	42	50-5/8
GSF16-54CE	GSF21-54CE	54	62-5/8
GSF16-78CE	GSF21-78CE	78	86-5/8
GSF16-96CE	GSF21-96CE	96	104-5/8
GSF16-120CE	GSF21-120CE	120	128-5/8
GSF16-144CE	GSF21-144CCE	144	152-5/8

EXPLANATORY NOTES:

- (1) Custom lengths available, please contact PLP® for more information.
- (2) Minimum Ultimate Strength Rating - 16,000 lb and 21,000 lb
- (3) Clevis Pin Diameter - 5/8"

SPECIFICATIONS – CLEVIS - CLEVIS

Rated Strength (lb): 16K, 21K minimum

Minimum Ultimate Strength Rating: 16,000 lb and 21,000 lb			
Catalog Number		Rod Length	Pin to Pin
16,000 lb	21,000 lb	in	in
GSF16-12CC	GSF21-12CC	12	20-3/4
GSF16-18CC	GSF21-18CC	18	26-3/4
GSF16-24CC	GSF21-24CC	24	32-3/4
GSF16-36CC	GSF21-36CC	36	44-3/4
GSF16-42CC	GSF21-42CC	42	50-3/4
GSF16-54CC	GSF21-54CC	54	62-3/4
GSF16-78CC	GSF21-78CC	78	86-3/4
GSF16-96CC	GSF21-96CC	96	104-3/4
GSF16-120CC	GSF21-120CC	120	128-3/4
GSF16-144CC	GSF21-144CC	144	152-3/4

EXPLANATORY NOTES:

- (1) Custom lengths available, please contact PLP® for more information.
- (2) Minimum Ultimate Strength Rating - 16,000 lb and 21,000 lb
- (3) Clevis Pin Diameter - 5/8"

Rated Strength (lb): 30K, 36K minimum

Minimum Ultimate Strength Rating: 30,000 lb and 36,000 lb			
Catalog Number		Rod Length	Pin to Pin
30,000 lb	36,000 lb	in	in
GSF30-12CC	GSF36-12CC	12	25-3/4
GSF30-18CC	GSF36-18CC	18	31-3/4
GSF30-24CC	GSF36-24CC	24	37-3/4
GSF30-36CC	GSF36-36CC	36	49-3/4
GSF30-42CC	GSF36-42CC	42	55-3/4
GSF30-54CC	GSF36-54CC	54	67-3/4
GSF30-78CC	GSF36-78CC	78	91-3/4
GSF30-96CC	GSF36-96CC	96	109-3/4
GSF30-120CC	GSF36-120CC	120	133-3/4
GSF30-144CC	GSF36-144CC	144	157-3/4

EXPLANATORY NOTES:

- (1) Custom lengths available, please contact PLP® for more information.
- (2) Minimum Ultimate Strength Rating - 30,000 lb and 36,000 lb
- (3) Clevis Pin Diameter - 3/4"



SPECIFICATIONS – CLEVIS - CLEVIS WITH ROLLER

Rated Strength (lb): 16K, 21K minimum

Minimum Ultimate Strength Rating: 16,000 lb and 21,000 lb			
Catalog Number		Rod Length	Pin to Pin
16,000 lb	21,000 lb	in	in
GSF16-12CCR	GSF21-12CCR	12	20-3/4
GSF16-18CCR	GSF21-18CCR	18	26-3/4
GSF16-24CCR	GSF21-24CCR	24	32-3/4
GSF16-36CCR	GSF21-36CCR	36	44-3/4
GSF16-42CCR	GSF21-42CCR	42	50-3/4
GSF16-54CCR	GSF21-54CCR	54	62-3/4
GSF16-78CCR	GSF21-78CCR	78	86-3/4
GSF16-96CCR	GSF21-96CCR	96	104-3/4
GSF16-120CCR	GSF21-120CCR	120	128-3/4
GSF16-144CCR	GSF21-144CCR	144	152-3/4

EXPLANATORY NOTES:

- (1) Custom lengths available, please contact PLP® for more information.
- (2) Minimum Ultimate Strength Rating - 16,000 lb and 21,000 lb
- (3) Clevis Pin Diameter - 5/8"

Rated Strength (lb): 30K, 36K minimum

Minimum Ultimate Strength Rating: 30,000 lb and 36,000 lb			
Catalog Number		Rod Length	Pin to Pin
30,000 lb	36,000 lb	in	in
GSF30-12CCR	GSF36-12CCR	12	25-3/4
GSF30-18CCR	GSF36-18CCR	18	31-3/4
GSF30-24CCR	GSF36-24CCR	24	37-3/4
GSF30-36CCR	GSF36-36CCR	36	49-3/4
GSF30-42CCR	GSF36-42CCR	42	55-3/4
GSF30-54CCR	GSF36-54CCR	54	67-3/4
GSF30-78CCR	GSF36-78CCR	78	91-3/4
GSF30-96CCR	GSF36-96CCR	96	109-3/4
GSF30-120CCR	GSF36-120CCR	120	133-3/4
GSF30-144CCR	GSF36-144CCR	144	157-3/4

EXPLANATORY NOTES:

- (1) Custom lengths available, please contact PLP® for more information.
- (2) Minimum Ultimate Strength Rating - 30,000 lb and 36,000 lb
- (3) Clevis Pin Diameter - 3/4"

SPECIFICATIONS – CLEVIS - CLEVIS WITH TWO ROLLERS

Rated Strength (lb): 16K, 21K minimum

Minimum Ultimate Strength Rating: 16,000 lb and 21,000 lb			
Catalog Number		Rod Length	Pin to Pin
16,000 lb	21,000 lb	in	in
GSF16-12RR	GSF21-12RR	12	20-3/4
GSF16-18RR	GSF21-18RR	18	26-3/4
GSF16-24RR	GSF21-24RR	24	32-3/4
GSF16-36RR	GSF21-36RR	36	44-3/4
GSF16-42RR	GSF21-42RR	42	50-3/4
GSF16-54RR	GSF21-54RR	54	62-3/4
GSF16-78RR	GSF21-78RR	78	86-3/4
GSF16-96RR	GSF21-96RR	96	104-3/4
GSF16-120RR	GSF21-120RR	120	128-3/4
GSF16-144RR	GSF21-144RR	144	152-3/4

EXPLANATORY NOTES:

- (1) Custom lengths available, please contact PLP® for more information.
- (2) Minimum Ultimate Strength Rating - 16,000 lb and 21,000 lb
- (3) Clevis Pin Diameter - 5/8"

Rated Strength (lb): 30K, 36K minimum

Minimum Ultimate Strength Rating: 30,000 lb and 36,000 lb			
Catalog Number		Rod Length	Pin to Pin
30,000 lb	36,000 lb	in	in
GSF30-12RR	GSF36-12RR	12	25-3/4
GSF30-18RR	GSF36-18RR	18	31-3/4
GSF30-24RR	GSF36-24RR	24	37-3/4
GSF30-36RR	GSF36-36RR	36	49-3/4
GSF30-42RR	GSF36-42RR	42	55-3/4
GSF30-54RR	GSF36-54RR	54	67-3/4
GSF30-78RR	GSF36-78RR	78	91-3/4
GSF30-96RR	GSF36-96RR	96	109-3/4
GSF30-120RR	GSF36-120RR	120	133-3/4
GSF30-144RR	GSF36-144RR	144	157-3/4

EXPLANATORY NOTES:

- (1) Custom lengths available, please contact PLP® for more information.
- (2) Minimum Ultimate Strength Rating - 30,000 lb and 36,000 lb
- (3) Clevis Pin Diameter - 3/4"



SPECIFICATIONS – THIMBLE EYE

Rated Strength (lb): 16K, 21K minimum

Minimum Ultimate Strength Rating: 16,000 lb and 21,000 lb			
Catalog Number		Rod Length	Pin to Pin
16,000 lb	21,000 lb	in	in
GSF16-12CTE	GSF21-12CTE	12	21-1/2
GSF16-18CTE	GSF21-18CTE	18	27-1/2
GSF16-24CTE	GSF21-24CTE	24	33-1/2
GSF16-36CTE	GSF21-36CTE	36	45-1/2
GSF16-42CTE	GSF21-42CTE	42	51-1/2
GSF16-54CTE	GSF21-54CTE	54	63-1/2
GSF16-78CTE	GSF21-78CTE	78	87-1/2
GSF16-96CTE	GSF21-96CTE	96	105-1/2
GSF16-120CTE	GSF21-120CTE	120	129-1/2
GSF16-144CTE	GSF21-144CTE	144	153-1/2

EXPLANATORY NOTES:

- (1) Custom lengths available, please contact PLP® for more information.
- (2) Minimum Ultimate Strength Rating - 16,000 lb and 21,000 lb
- (3) Clevis Pin Diameter - 5/8"

Rated Strength (lb): 30K, 36K minimum

Minimum Ultimate Strength Rating: 30,000 lb and 36,000 lb			
Catalog Number		Rod Length	Pin to Pin
30,000 lb	36,000 lb	in	in
GSF30-12CTE	GSF36-12CTE	12	26-3/4
GSF30-18CTE	GSF36-18CTE	18	32-3/4
GSF30-24CTE	GSF36-24CTE	24	38-3/4
GSF30-36CTE	GSF36-36CTE	36	50-3/4
GSF30-42CTE	GSF36-42CTE	42	56-3/4
GSF30-54CTE	GSF36-54CTE	54	68-3/4
GSF30-78CTE	GSF36-78CTE	78	92-3/4
GSF30-96CTE	GSF36-96CTE	96	110-3/4
GSF30-120CTE	GSF36-120CTE	120	134-3/4
GSF30-144CTE	GSF36-144CTE	144	158-3/4

EXPLANATORY NOTES:

- (1) Custom lengths available, please contact PLP® for more information.
- (2) Minimum Ultimate Strength Rating - 30,000 lb and 36,000 lb
- (3) Clevis Pin Diameter - 3/4"

SPECIFICATIONS – THIMBLE EYE WITH ROLLER

Rated Strength (lb): 16K, 21K minimum

Minimum Ultimate Strength Rating: 16,000 lb and 21,000 lb			
Catalog Number		Rod Length	Pin to Pin
16,000 lb	21,000 lb	in	in
GSF16-12CTR	GSF21-12CTR	12	21-1/2
GSF16-18CTR	GSF21-18CTR	18	27-1/2
GSF16-24CTR	GSF21-24CTR	24	33-1/2
GSF16-36CTR	GSF21-36CTR	36	45-1/2
GSF16-42CTR	GSF21-42CTR	42	51-1/2
GSF16-54CTR	GSF21-54CTR	54	63-1/2
GSF16-78CTR	GSF21-78CTR	78	87-1/2
GSF16-96CTR	GSF21-96CTR	96	105-1/2
GSF16-120CTR	GSF21-120CTR	120	129-1/2
GSF16-144CTR	GSF21-144CTR	144	153-1/2

EXPLANATORY NOTES:

- (1) Custom lengths available, please contact PLP® for more information.
- (2) Minimum Ultimate Strength Rating - 16,000 lb and 21,000 lb
- (3) Clevis Pin Diameter - 5/8"

Rated Strength (lb): 30K, 36K minimum

Minimum Ultimate Strength Rating: 30,000 lb and 36,000 lb			
Catalog Number		Rod Length	Pin to Pin
30,000 lb	36,000 lb	in	in
GSF30-12CTR	GSF36-12CTR	12	25-3/4
GSF30-18CTR	GSF36-18CTR	18	31-3/4
GSF30-24CTR	GSF36-24CTR	24	37-3/4
GSF30-36CTR	GSF36-36CTR	36	49-3/4
GSF30-42CTR	GSF36-42CTR	42	55-3/4
GSF30-54CTR	GSF36-54CTR	54	67-3/4
GSF30-78CTR	GSF36-78CTR	78	91-3/4
GSF30-96CTR	GSF36-96CTR	96	109-3/4
GSF30-120CTR	GSF36-120CTR	120	134-3/4
GSF30-144CTR	GSF36-144CTR	144	157-3/4

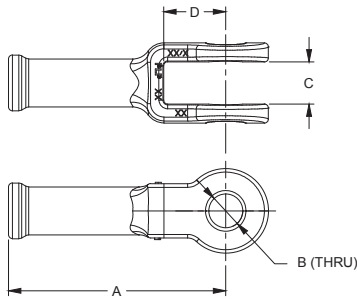
EXPLANATORY NOTES:

- (1) Custom lengths available, please contact PLP® for more information.
- (2) Minimum Ultimate Strength Rating - 30,000 lb and 36,000 lb
- (3) Clevis Pin Diameter - 3/4"



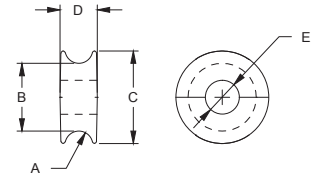
SPECIFICATIONS – FITTINGS

Rated Strength (lb): 16K, 21K minimum



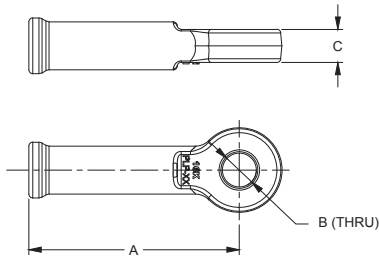
	Clevis			
	A	B	C	D
	in			
16K	4.38	0.69	0.850	1.25
21K	4.53	0.69	0.875	1.38

CLEVIS



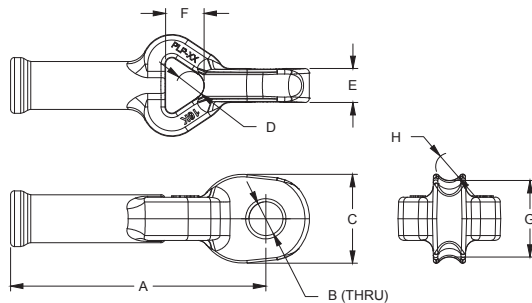
ROLLER
Catalog # R1

	Roller				
	A	B	C	D	E
	in				
16K	0.563	1.38	1.88	0.75	0.69
21K	0.563	1.38	1.88	0.75	0.69



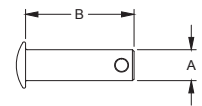
	Eye		
	A	B	C
	in		
16K	4.25	0.69	0.67
21K	4.30	0.69	0.75

EYE



THIMBLE EYE

	Thimble-Eye							
	A	B	C	D	E	F	G	H
	in							
16K	5.13	0.69	1.813	0.563	0.688	0.75	1.56	0.563
21K	5.15	0.69	1.813	0.563	0.780	0.80	1.56	0.563

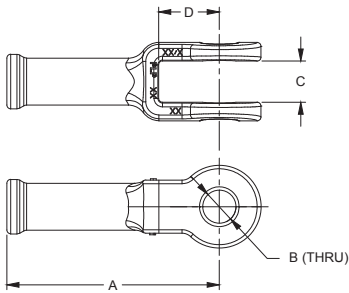


CLEVIS PIN

	Clevis Pin	
	A	B
	in	
16K	0.625	2.19
21K	0.625	2.19

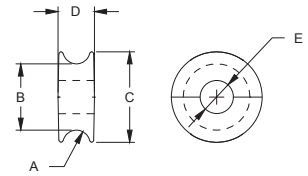
SPECIFICATIONS – FITTINGS

Rated Strength (lb): 30K, 36K minimum



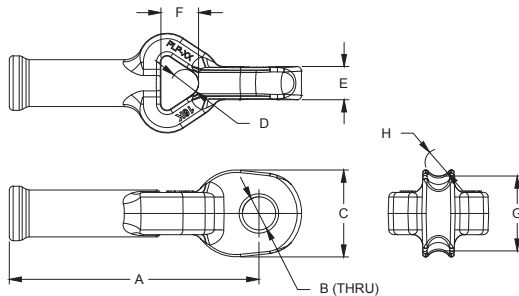
CLEVIS

	Clevis			
	A	B	C	D
	in			
30K	6.9	0.820	1.00	2.00
36K	6.9	0.820	1.00	2.00



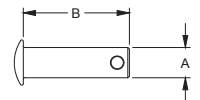
ROLLER
Catalog # R2

	Roller				
	A	B	C	D	E
	in				
30K	0.688	2.05	2.35	0.91	0.82
36K	0.688	2.05	2.35	0.91	0.82



THIMBLE EYE

	Thimble-Eye							
	A	B	C	D	E	F	G	H
	in							
30K	7.93	0.820	2.35	0.75	0.875	1.20	2.00	0.680
36K	7.93	0.820	2.35	0.75	0.875	1.20	2.00	0.680



CLEVIS PIN

	Clevis Pin	
	A	B
	in	
30K	0.75	2.50
36K	0.75	2.50