

POWER MAX™ Wire Management Solutions

Quick Reference Guide

This guide describes Preformed Line Products (PLP) and third party products that provide wire and conduit routing solutions specific to PLP's POWER MAX product.

These solutions have been evaluated, tested and approved by the PLP engineering team to meet the compatibility requirements.

Included are website links to each manufacturer for more details on their products.

Z-Bracket Kit

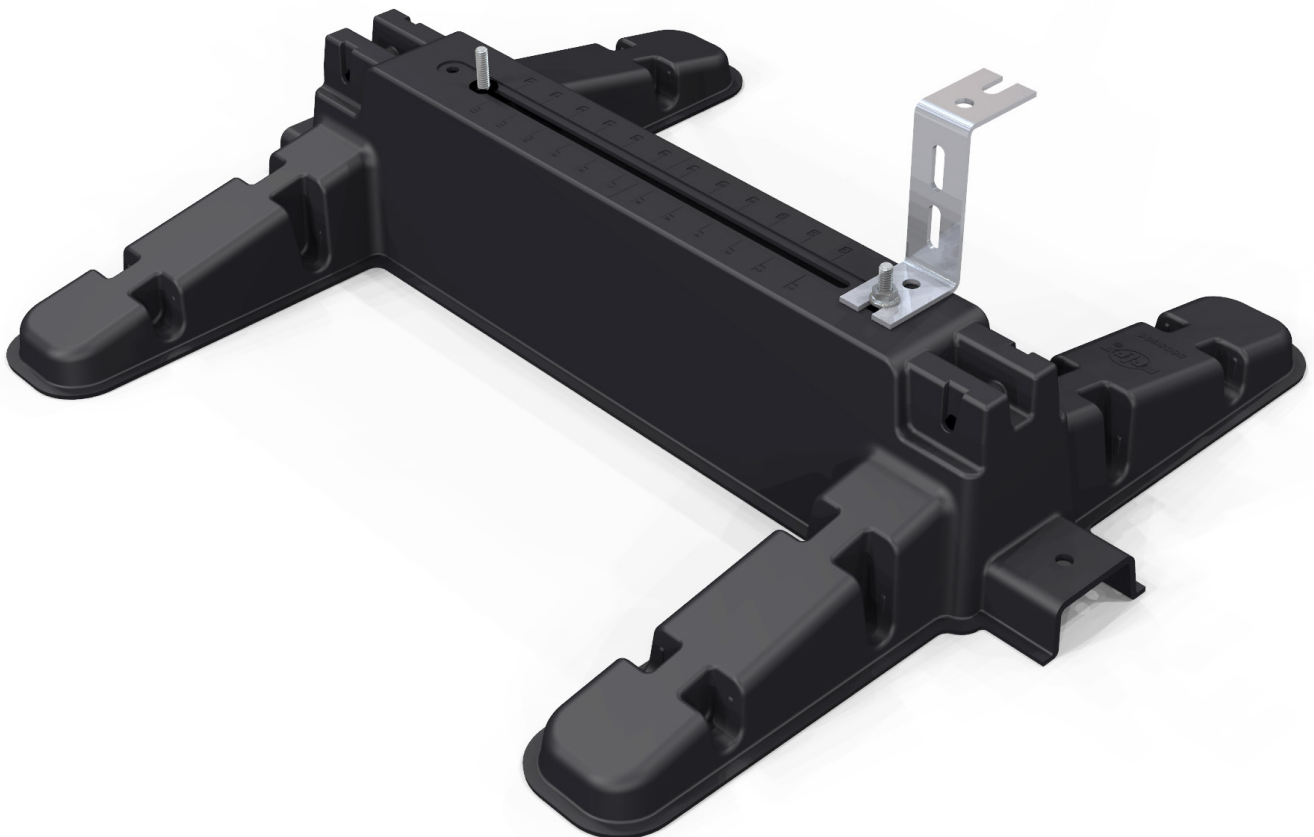
Versatile Accessory Attachment Bracket

Description: Mounts directly to the POWER MAX Tray. Creates an attachment point for third party cable management products. The Z-Bracket's height clears the ballast blocks and provides unobstructed cable runs. Includes hardware for securing third party add-ons.

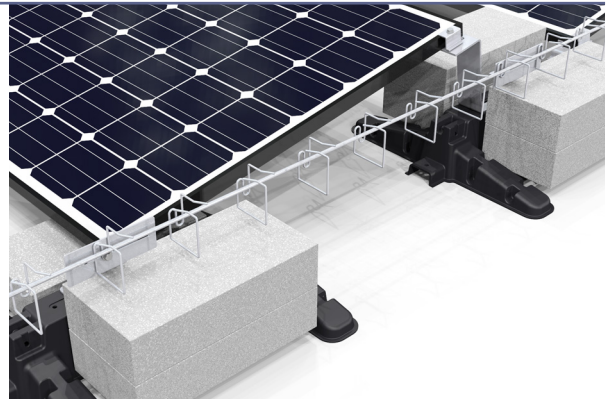
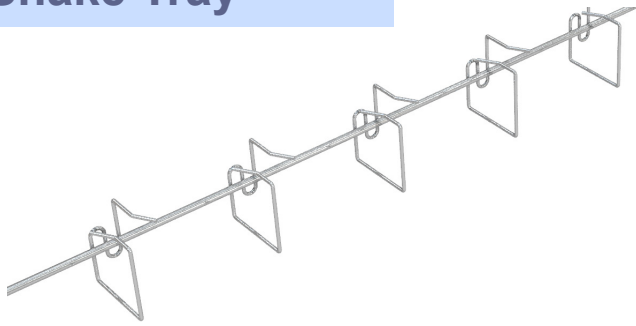
Installation: Attaches directly to the POWER MAX using existing hardware. Use kit hardware to secure add-on products.

Manufacturer: Preformed Line Products

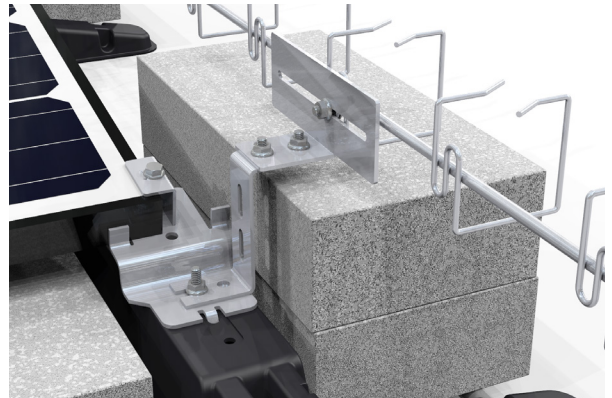
Part Number: PMAX-Z-BK Website: www.preformed.com



Snake Tray[®]



Protects and Supports Cable Runs



Direct connection Hardware and Support Brackets

System Mounted Cable Support

Description: Hand bendable tray. Weatherproof cable management tray securely carries cable runs. Suggested models include side or bottom mount. Powder coated gray.

Installation: Installs easily onto the POWER MAX Tray using existing hardware. For increased height use the PLP Z-Bracket Kit to mount above stacked ballast blocks.

Manufacturer: Snake Tray

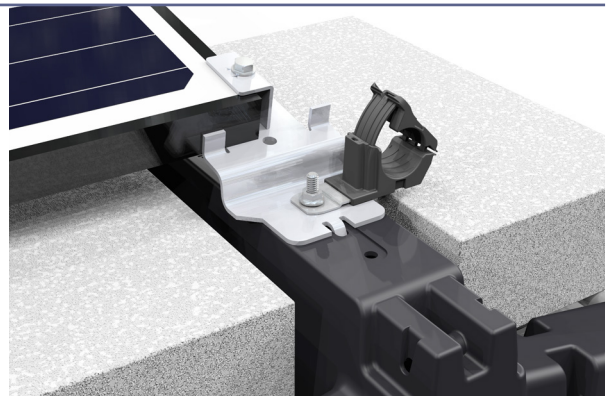
Models/Part Numbers:

CM 407-33-10-90-PC-GY-S6, 3"x3"x10' 90° mount

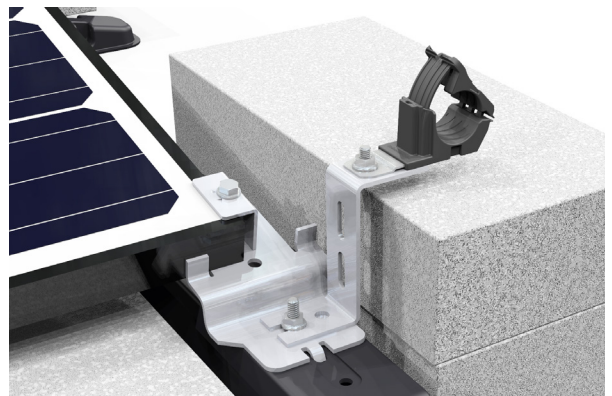
CM 407-33-10-180-PC-GY-S6, 3"x3"x10' 180° mount

Website: www.Snaketray.com

Ratchet P Clamp



Direct installation onto Module Bracket



Use optional Z-Bracket to clear ballast

System Mounted Cable & Conduit Support

Description: Strong and durable with an adjustable ratchet closure mechanism to satisfy a range of conduit and bundle diameters. Stainless steel mounting plate is ideal for heavy duty applications. Includes integrated cable tie saddle for secondary fixing points if needed.

Installation: Installs easily onto the POWER MAX Tray using existing hardware. For increased height use the PLP Z-Bracket Kit to mount above stacked ballast blocks.

Manufacturer: Hellermann-Tyton

Models: 151-01474 and 151-01489

Website: Hellermanntyton.us

PipeGuard®

Rooftop Conduit Support

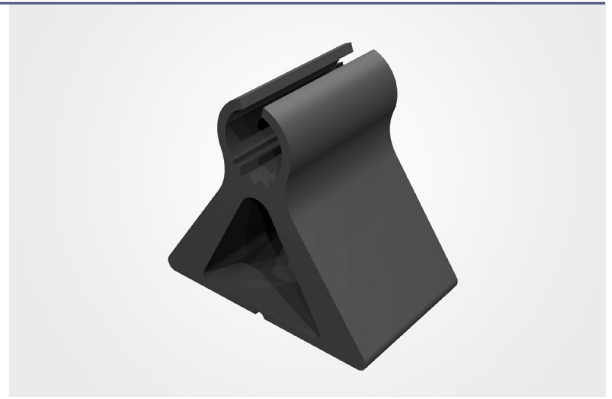
Description: PipeGuard provides secure conduit roof stand-offs.

Installation: Made from heavy duty EPDM, PipeGuard does not require any tools for installation. Simply compress base to “open” pipe clamp, and place it around the pipe. Typical installation time is less than 10 seconds.

Manufacturer: OMG Roofing Products

Models: Small or Tall Small

Website: www.omgroofing.com



OMG PipeGuard Small



OMG PipeGuard Tall Small



PREFORMED LINE PRODUCTS

Albuquerque Office
1700 Louisiana Blvd., Suite 130
Albuquerque, NM 87110

Corporate Headquarters
660 Beta Drive
Mayfield Village, OH 44143

Telephone: 800.260.3792
Fax: 505.889.3548
www.preformed.com
E-mail: info@plpsolar.com