

Top-of-Pole Mounts


Single Pole PV Mounting System



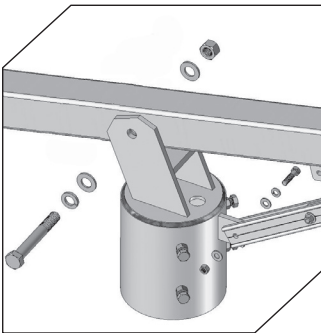
 COMMUNICATIONS

 ENERGY

 SPECIAL INDUSTRIES

 SOLAR





Top-of-Pole Mount

The Top-of-Pole Mount (TPM) is designed to install quickly and provide a secure mounting structure for PV modules on a single pole. The module specific design reduces the number of components and provides for an easier assembly. The TPM utilizes high-strength welded steel components and corrosion resistant hardware for long-term reliability. Seasonal adjustability for maximizing production is provided by six different tilt-angle settings and is a single-person operation.

Maximum Strength – Durable Design

- Standard mounts designed to withstand 90 MPH wind zones
- MIG welded steel strong backs and mounting sleeves
- 6000 series structural aluminum mounting rails
- Stainless steel module mounting hardware
- Zinc plated rack assembly hardware
- Powder coated steel components

Application Flexibility

- Several sizes available from 1 through 24 modules
- Installs over standard Schedule 40 or 80 rigid steel pipe (Installer Supplied)
- 15° to 65° tilt angle settings (10° increments)
- Mount up to 4.1kW on a single pole

Ease of Assembly – Reduced Labor Costs

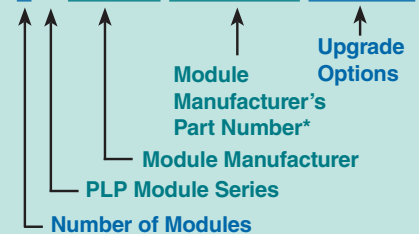
- Module specific design reduces number of parts
- No measuring required
- Array tilts flat for easy module placement
- Factory set module hole placement locations create uniform spacing
- Easy access bottom flange bolting

Key Benefits

- Maximum Strength
- Module Specific Design
- Ease of Assembly – Reduced Parts
- Single Ground Penetration
- Seasonal Elevation Adjustment

Ordering Guideline

TPM8-D-SHARP-NE170UC1-HWV-AA



*Important: Include complete module part # as listed on module manufacturer's specification sheet

Options / Upgrades

- High Wind Version – 130 MPH Exposure C
- Hot-Dip Galvanized Finish on Steel Components
- Anodized Module Rails
- Stainless Steel Rack Assembly Hardware Package
- Tamper-Resistant Module Mounting Hardware Package



PREFORMED
LINE PRODUCTS

Global Headquarters
660 Beta Drive
Cleveland, Ohio 44143 USA

Telephone: 440.461.5200
Fax: 440.442.8816
Website: preformed.com
Email: info@pplsolar.com

© 2018 Preformed Line Products
Printed in U.S.A.
SL-SS-1079-10
01.19.IH

Foundation Design Support available
from PLP's staff of engineers.

