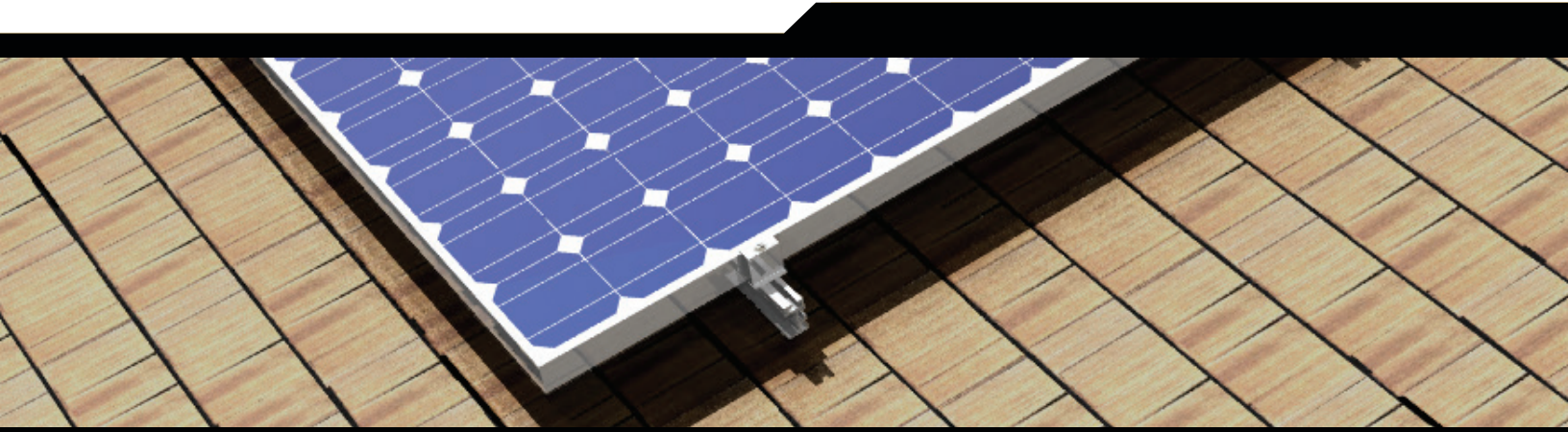


PV Solar Roof and Structure Mounting Systems



-  COMMUNICATIONS
-  ENERGY
-  SPECIAL INDUSTRIES
-  SOLAR

POWER
RAIL

POWER
DISK

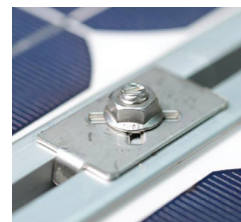
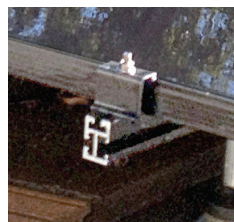
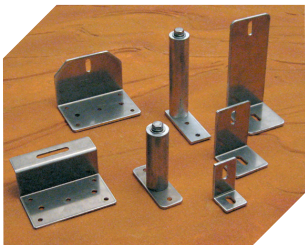


Table of Contents

POWER RAIL™ Module Mounting System	3	Low Profile Tilt Kits (One High Portrait Mounting)	
POWER RAIL™ Extrusions	4	P6 Low-Profile Tilt Kits	16
P4	4	P8 Low-Profile Tilt Kits	16
P6	5	Two-Tier Tilt Kits (Two High Portrait Mounting)	
P8	6	Two-Tier Tilt Kits–60 Cell	17
P14	7	Two-Tier Tilt Kits–72 Cell	17
D Series – XD/UD	8		
D Series – LD/MD	8		
POWER RAIL™ Mounting Attachments – P4, P6 and P8	9	Module Clamps	
D Series Mounting Base Brackets	9	Pre-Assembled Module Clamps w/RAD Hardware	18
P14 "L" Foot	9	Pre-Assembled Purlin Through Hole Clamps	18
"L" Feet	10	Universal End Clamp	20
Tilted "L" Feet	10	Pre-Assembled Module Clamps with WEEB Grounding	20
Easy Feet™	11		
Roof Rod Mount	11	POWER RAIL™ Accessories	
Power Post™ Stanchions	12	Grounding Hardware	21
Easy Power Post™ Stanchions	12	Turn Bolts	21
Super Post Stanchions	13	Wire Management Clips	22
Corrugated Roof Mounts	13		
POWER RAIL™ Splice Plate Kits	14	POWER DISK™	23
POWER RAIL™ PV Flash	15		

POWER RAIL™ Module Mounting System



The PV module mounting system engineered to reduce installation costs and provide maximum strength for parallel-to-roof, tilt up, or open structure mounting applications.

The POWER RAIL mounting system is designed with the professional PV solar installer in mind. The top-clamping rails utilize a single tool with a revolutionary patented RAD™ Fastener for faster bolt placement. The unique shape of the RAD provides an anti-rotation feature, locking the bolt in the proper orientation

when installed. The high-strength, rigid rails also include an integral wiring channel for securing cables and providing a professional finish. The system includes a wide selection of mounting options designed for secure and water tight attachments to any roof style.

Mounting Rail Options*

P4/P6	Engineered to save cost on shorter span applications
P8	Engineered for longer span and heavier snow conditions
P14	Engineered for commercial applications with greater distances between supports
XD/UD	Engineered to save cost on commercial and shade structure applications
LD/MD	Engineered for long span commercial and shade structure applications

*Reference Rail Span and Cantilever Charts located at preformed.com.

Features

High-Strength Reliable, Design

- Engineered rail profiles for maximum strength-to-weight ratio
- Structural marine grade aluminum rail construction
- High-strength stainless steel module clamps

Reduced Installation Time and Costs

- Single Tool Assembly – all 5/16" hardware
- RAD™ hardware for quick bolt placements that Lock-In-Place
- Wiring Channel for securing cables
- Standard lengths up to 27 feet eliminate costly rail splices
- AMP Clamp Integral module grounding

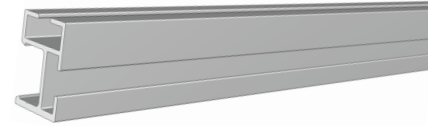
Flexible Mounting Options

- “L” mounting feet – multiple heights
- Tilt Feet, 5 and 10 degrees
- Power Post™ – solid aluminum stanchions
- Easy Feet™ attachment anywhere on metal or composite roof decking
- PV Flashing hardware
- Low Profile and Two-Tier Tilt Kits – up to 45 degrees

P4 POWER RAIL™ Extrusions

POWER RAIL is an engineered profile extrusion made from Series 6000 structural marine grade aluminum. Standard finish is mill-finish aluminum. Clear and Black Anodized options available.

POWER RAIL P4 – Extrusion



84" Standard Lengths

Length	84"	
Weight Per Unit (lbs.)	2.67	
Part #	Finish	Price
P4-84	Mill	22.05
P4-84-BA	Black	29.77
P4-84-CA	Clear	25.36

126" Standard Lengths

Length	126"	
Weight Per Unit (lbs.)	4.00	
Part #	Finish	Price
P4-126	Mill	33.60
P4-126-BA	Black	45.36
P4-126-CA	Clear	38.64

162" Standard Lengths

Length	162"	
Weight Per Unit (lbs.)	5.15	
Part #	Finish	Price
P4-162	Mill	42.00
P4-162-BA	Black	56.70
P4-162-CA	Clear	48.30

204" Standard Lengths

Length	204"	
Weight Per Unit (lbs.)	6.48	
Part #	Finish	Price
P4-204	Mill	51.98
P4-204-BA	Black	70.17
P4-204-CA	Clear	59.78

242" Standard Lengths

Length	242"	
Weight Per Unit (lbs.)	7.60	
Part #	Finish	Price
P4-242	Mill	59.85
P4-242-BA	Black	80.80
P4-242-CA	Clear	68.83

282" Standard Lengths

Length	282"	
Weight Per Unit (lbs.)	8.95	
Part #	Finish	Price
P4-282	Mill	69.56
P4-282-BA	Black	93.91
P4-282-CA	Clear	80.00

324" Standard Lengths

Length	324"	
Weight Per Unit (lbs.)	10.29	
Part #	Finish	Price
P4-324	Mill	78.75
P4-324-BA	Black	106.31
P4-324-CA	Clear	90.56

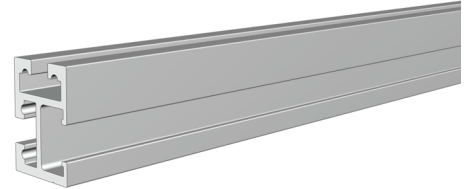
Reference www.preformed.com for Span/Cantilever Charts.

Standard - Mill **BA**- Black Anodized **CA**- Clear Anodized

P6 POWER RAIL™ Extrusions

POWER RAIL is an engineered profile extrusion made from Series 6000 structural marine grade aluminum. Standard finish is mill-finish aluminum. Clear and Black Anodized options available.

POWER RAIL P6 – Extrusion



84" Standard Lengths

Length	84"	
Weight Per Unit (lbs.)	5.0	
Part #	Finish	Price
P6-84	Mill	37.80
P6-84-BA	Black	51.03
P6-84-CA	Clear	43.47

126" Standard Lengths

Length	126"	
Weight Per Unit (lbs.)	7.5	
Part #	Finish	Price
P6-126	Mill	56.70
P6-126-BA	Black	76.55
P6-126-CA	Clear	65.21

162" Standard Lengths

Length	162"	
Weight Per Unit (lbs.)	9.5	
Part #	Finish	Price
P6-162	Mill	71.40
P6-162-BA	Black	96.39
P6-162-CA	Clear	82.11

204" Standard Lengths

Length	204"	
Weight Per Unit (lbs.)	12.0	
Part #	Finish	Price
P6-204	Mill	89.25
P6-204-BA	Black	120.49
P6-204-CA	Clear	102.64

242" Standard Lengths

Length	242"	
Weight Per Unit (lbs.)	14.0	
Part #	Finish	Price
P6-242	Mill	102.90
P6-242-BA	Black	138.92
P6-242-CA	Clear	118.34

282" Standard Lengths

Length	282"	
Weight Per Unit (lbs.)	16.5	
Part #	Finish	Price
P6-282	Mill	119.70
P6-282-BA	Black	161.60
P6-282-CA	Clear	137.66

324" Standard Lengths

Length	324"	
Weight Per Unit (lbs.)	19.0	
Part #	Finish	Price
P6-324	Mill	135.45
P6-324-BA	Black	182.86
P6-324-CA	Clear	155.77

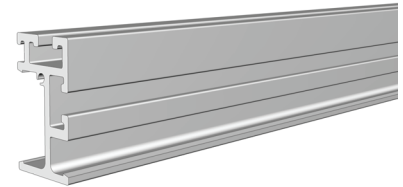
Reference www.preformed.com for Span/Cantilever Charts.

Standard - Mill **BA**- Black Anodized **CA**- Clear Anodized

P8 POWER RAIL™ Extrusions

POWER RAIL is an engineered profile extrusion made from Series 6000 structural marine grade aluminum. Standard finish is mill-finish aluminum. Clear and Black Anodized options available.

POWER RAIL P8 – Extrusion



84" Standard Lengths

Length	84"	
Weight Per Unit (lbs.)	7.0	
Part #	Finish	Price
P8-84	Mill	58.80
P8-84-BA	Black	79.38
P8-84-CA	Clear	87.15

126" Standard Lengths

Length	126"	
Weight Per Unit (lbs.)	10.5	
Part #	Finish	Price
P8-126	Mill	87.15
P8-126-BA	Black	117.65
P8-126-CA	Clear	100.22

162" Standard Lengths

Length	162"	
Weight Per Unit (lbs.)	13.5	
Part #	Finish	Price
P8-162	Mill	110.25
P8-162-BA	Black	148.84
P8-162-CA	Clear	126.79

204" Standard Lengths

Length	204"	
Weight Per Unit (lbs.)	17.0	
Part #	Finish	Price
P8-204	Mill	136.50
P8-204-BA	Black	184.28
P8-204-CA	Clear	156.98

242" Standard Lengths

Length	242"	
Weight Per Unit (lbs.)	20.2	
Part #	Finish	Price
P8-242	Mill	158.55
P8-242-BA	Black	214.04
P8-242-CA	Clear	182.33

282" Standard Lengths

Length	282"	
Weight Per Unit (lbs.)	23.5	
Part #	Finish	Price
P8-282	Mill	183.75
P8-282-BA	Black	248.06
P8-282-CA	Clear	211.31

324" Standard Lengths

Length	324"	
Weight Per Unit (lbs.)	27.0	
Part #	Finish	Price
P8-324	Mill	207.90
P6-324-BA	Black	280.67
P8-324-CA	Clear	239.09

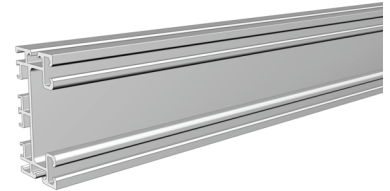
Reference www.preformed.com for Span/Cantilever Charts.

Standard - Mill **BA**- Black Anodized **CA**- Clear Anodized

P14 POWER RAIL™ Extrusions

POWER RAIL is an engineered profile extrusion made from Series 6000 structural marine grade aluminum. Standard finish is mill-finish aluminum. Clear and Black Anodized options available.

POWER RAIL P14 – Extrusion



84" Standard Lengths

Length	84"	
Weight Per Unit (lbs.)	15.5	
Part #	Finish	Price
P14-84	Mill	117.60
P14-84-BA	Black	Call for Pricing
P14-84-CA	Clear	

126" Standard Lengths

Length	126"	
Weight Per Unit (lbs.)	23.5	
Part #	Finish	Price
P14-126	Mill	174.30
P14-126-BA	Black	Call for Pricing
P14-126-CA	Clear	

162" Standard Lengths

Length	162"	
Weight Per Unit (lbs.)	29.0	
Part #	Finish	Price
P14-162	Mill	220.50
P14-162-BA	Black	Call for Pricing
P14-162-CA	Clear	

204" Standard Lengths

Length	204"	
Weight Per Unit (lbs.)	38.0	
Part #	Finish	Price
P14-204	Mill	273.00
P14-204-BA	Black	Call for Pricing
P14-204-CA	Clear	

242" Standard Lengths

Length	242"	
Weight Per Unit (lbs.)	44.5	
Part #	Finish	Price
P14-242	Mill	317.05
P14-242-BA	Black	Call for Pricing
P14-242-CA	Clear	

282" Standard Lengths

Length	282"	
Weight Per Unit (lbs.)	52.0	
Part #	Finish	Price
P14-282	Mill	367.50
P14-282-BA	Black	Call for Pricing
P14-282-CA	Clear	

324" Standard Lengths

Length	324"	
Weight Per Unit (lbs.)	60.0	
Part #	Finish	Price
P14-324	Mill	415.80
P14-324-BA	Black	Call for Pricing
P14-324-CA	Clear	

Reference www.preformed.com for Span/Cantilever Charts.

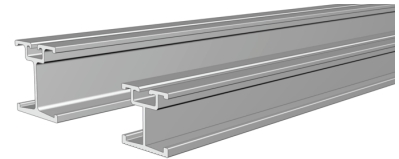
Standard - Mill **BA**- Black Anodized **CA**- Clear Anodized

*Compatible only with the P14 POWER RAIL and Super Post™ Stanchions – refer to page 13.
Super Post™ Stanchions may be used with the P14 POWER RAIL – refer to page 13.

D Series POWER RAIL™ Extrusions

POWER RAIL is an engineered profile extrusion made from Series 6000 structural marine grade aluminum. Standard finish is mill-finish aluminum. Clear and Black Anodized options available.

POWER RAIL XD and UD – Extrusions



XD

242" Standard Lengths

Length	242"
Weight Per Unit (lbs.)	16.1
Part #	Price
XD-242	139.65

282" Standard Lengths

Length	282"
Weight Per Unit (lbs.)	18.8
Part #	Price
XD-282	161.70

324" Standard Lengths

Length	324"
Weight Per Unit (lbs.)	21.6
Part #	Price
XD-324	182.70

UD

242" Standard Lengths

Length	242"
Weight Per Unit (lbs.)	26.0
Part #	Price
UD-242	225.75

282" Standard Lengths

Length	282"
Weight Per Unit (lbs.)	30.3
Part #	Price
UD-282	262.50

324" Standard Lengths

Length	324"
Weight Per Unit (lbs.)	34.8
Part #	Price
UD-324	296.10

POWER RAIL LD and MD – Extrusions



LD

242" Standard Lengths

Length	242"
Weight Per Unit (lbs.)	34.2
Part #	Price
LD-242	301.35

282" Standard Lengths

Length	282"
Weight Per Unit (lbs.)	40.1
Part #	Price
LD-282	349.65

324" Standard Lengths

Length	324"
Weight Per Unit (lbs.)	46.1
Part #	Price
LD-324	394.80

MD

242" Standard Lengths

Length	242"
Weight Per Unit (lbs.)	43.8
Part #	Price
MD-242	364.35

282" Standard Lengths

Length	282"
Weight Per Unit (lbs.)	51.5
Part #	Price
MD-282	423.15

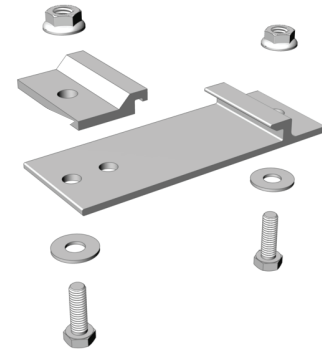
324" Standard Lengths

Length	324"
Weight Per Unit (lbs.)	59.1
Part #	Price
MD-324	477.75

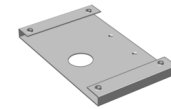
D Series Mounting Base Brackets

Mounting base brackets are fabricated from Series 6000 structural marine grade aluminum. 5/16" hardware included.

Part #	Description	Weight Per Unit (lbs.)	Price
MBB-LD-MD	LD/MD Mounting Base Bracket	0.40	7.77
MBB-XD-UD	XD/UD Mounting Base Bracket	.114	7.56
MBBGC	Grounding Washer for MBB-LD-MD Base Bracket	.009	2.56



Mounting Base Bracket with 5/16" Coated Hardware



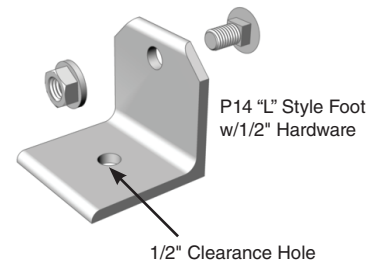
Grounding Washer

P14 "L" Foot

P14 "L" Feet are fabricated from high-strength 1/4" Series 6000 marine grade aluminum. 1/2" hardware included.

Part #	Description	Weight Per Unit (lbs.)	Price
P14-LF	POWER RAIL P14 L-Mounting Foot	0.50	13.65

***P14 "L" Feet are used with P14 rail only.**



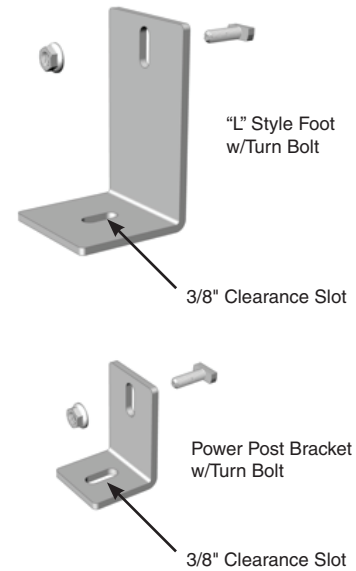
"L" Feet

"L" Feet are fabricated from high-strength 3/16" aluminum and include a vertical slot for adjusting to irregular surfaces.

5/16" coated hardware included.

FOR ORDERING Stainless Steel Hardware: ADD (-SS suffix)

Part #	Description	Weight Per Unit (lbs.)	Price
LF2	2.5" Tall L-Mounting Foot	0.20	6.30
LF3	3.5" Tall L-Mounting Foot	0.24	7.35
LF5	5" Tall L-Mounting Foot	0.40	8.93
LF6	6" Tall L-Mounting Foot	0.45	10.24
PPB	Power Post Bracket	.09	5.78

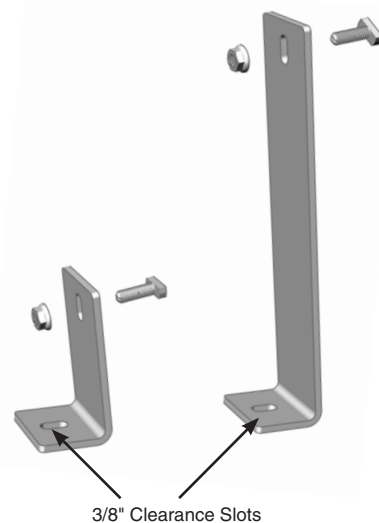


Tilted "L" Feet

"L" Feet are fabricated from high-strength 3/16" aluminum. Tilted "L" Feet provide a low cost solution to increase module tilt angles by 5° or 10°.

5/16" coated hardware included.

Part #	Description	Weight Per Unit (lbs.)	Price
FF5	5° Front Foot	0.25	7.35
BF5	5° Back Foot	0.50	11.55
FF10	10° Front Foot	0.25	7.35
BF10	10° Back Foot	0.75	15.75

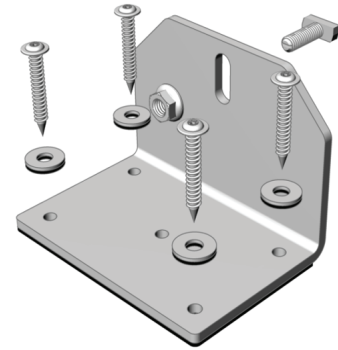


Easy Feet™

Easy Feet mount directly over metal and composite shingles into roof decking and do not require attachment to a roof structural member. Sealing butyl mastic backing and PHEinox™ RSS screws are included.

Part #	Description	Weight Per Unit (lbs.)	Price
PEF-1.5	Pivot Easy Mounting Foot w/1.5" Screws	0.76	19.95
PEF-2.0	Pivot Easy Mounting Foot w/2.0" Screws	0.78	20.48
PEF-3.0	Pivot Easy Mounting Foot w/3.0" Screws	0.82	21.53

PHEinox™ RSS screws are manufactured by GRK Fasteners.



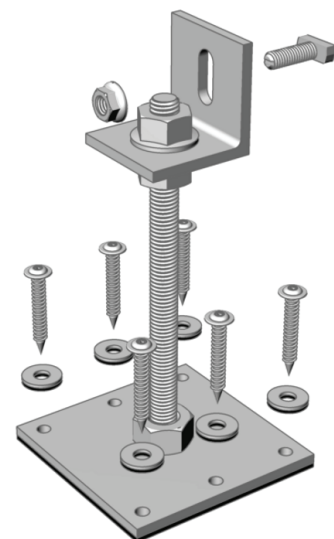
Butyl Mastic, Turn Bolt, Roof Screws and Neoprene Washers Included

Roof Rod Mount

Roof Rod mounts attach directly to the roof deck and are suitable for tile and other roofing materials. Simply, drill a hole through the roofing material. Sealing butyl mastic backing and PHEinox™ RSS screws included.

Part #	Description	Weight Per Unit (lbs.)	Price
RRM	Threaded Rod Mount	1.5	28.88

Maximum adjustment is 6 inches.

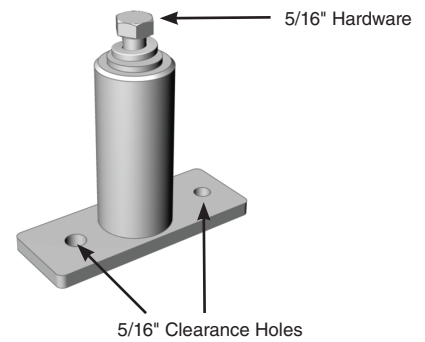


Butyl Mastic, "L" Foot, Turn Bolt, Roof Screws and Neoprene Washers Included

Power Post™ Stanchions

Power Posts offer high-strength solid aluminum construction and may be used with flashing cones or with built-up roofs.

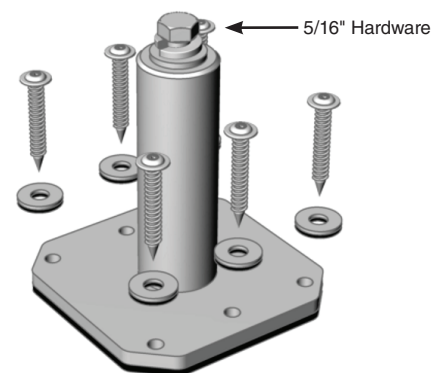
Part #	Description	Diameter	Weight Per Unit (lbs.)	Price
PP3	3" Power Post	1.31"	0.55	18.90
PP4	4" Power Post	1.31"	0.67	19.43
PP5	5" Power Post	1.31"	0.81	19.95
PP6	6" Power Post	1.31"	0.94	20.48
PP7	7" Power Post	1.31"	1.1	21.00



Easy Power Post™ Stanchions

Easy Power Posts mount directly to the roof deck. Sealing butyl mastic backing and PHEinox™ RSS screws are included.

Part #	Description	Diameter	Weight Per Unit (lbs.)	Price
EP3	3" Easy Post	1.31"	0.82	23.63
EP4	4" Easy Post	1.31"	0.94	24.15
EP5	5" Easy Post	1.31"	1.08	24.68
EP6	6" Easy Post	1.31"	1.21	25.20
EP7	7" Easy Post	1.31"	1.37	25.73



Butyl Mastic, Roof Screws and Neoprene Washers Included

Super Post™ Stanchions*

Super Posts offer high-strength solid aluminum construction for larger arrays and higher roof clearance.

Part #	Description	Diameter	Weight Per Unit (lbs.)	Price
SP7	7" Super Mounting Post	1.82"	1.9	36.23
SP8	8" Super Mounting Post	1.72"	1.9	37.80
SP9	9" Super Mounting Post	1.61"	2.1	39.38
SP10	10" Super Mounting Post	1.51"	2.3	40.95

*Only for use with P14 L Feet.

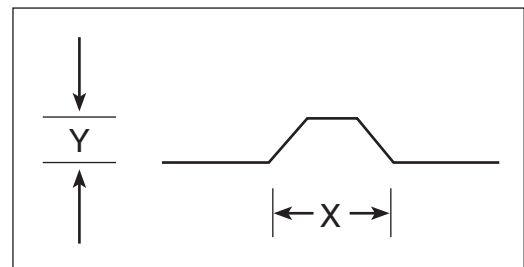
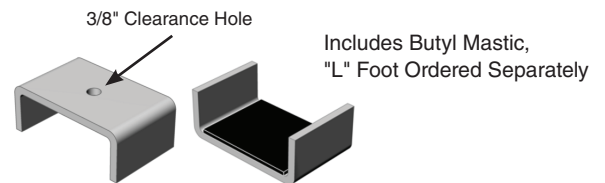


Corrugated Roof Mounts

The CMB offers high-strength solid aluminum and provides a mounting bridge over the peak of a metal corrugated roof keeping the penetration above the water diverting valleys. Includes Butyl Mastic, L-Foot not included.

Part #	Description	Price
CMB	Mounting Bridge to Span Peaks of Corrugated Metal Roofs	11.55

Note: Not all corrugated metal roofs are the same. Please contact Preformed Line Products to design mounting bridges that are specific to your application. Provide "X" and "Y" Dimensions for your roof. Pricing subject to change. "L" Foot not included.

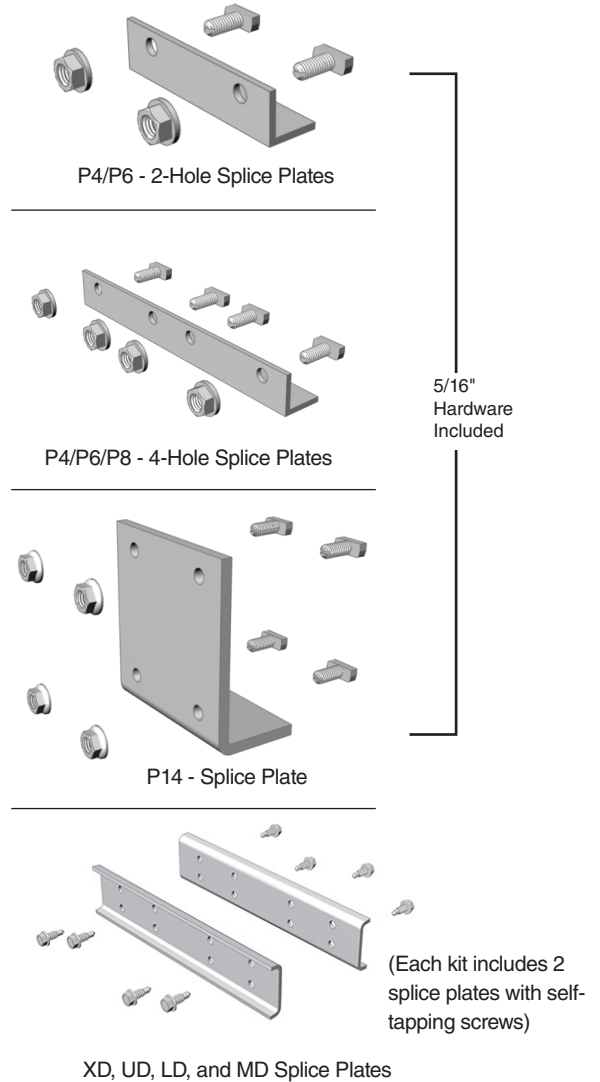


POWER RAIL™ Splice Plate Kits

The POWER RAIL Splice Kits are made from high-strength aluminum. Includes hardware.

Splice Plates

Part #	Description	Weight Per Unit (lbs.)	Price
P4-SPK	Splice Plate for P4 Two Hole	0.20	5.78
P4-4HSPK	Splice Plate for P4 Four Hole	0.40	13.65
P6-SPK	Splice Plate for P6 Two Hole	0.20	6.83
P6-4HSPK	Splice Plate for P6 Four Hole	0.40	13.65
P8-SPK	Splice Plate for P8	0.55	7.88
P14-SPK	Splice Plate for P14	1.00	21.00
XD-SPK	Splice Plate Set for XD	0.20	12.08
UD-SPK	Splice Plate Set for UD	0.60	13.65
LD-SPK	Splice Plate Set for LD	0.37	15.75
MD-SPK	Splice Plate Set for MD	0.40	18.38

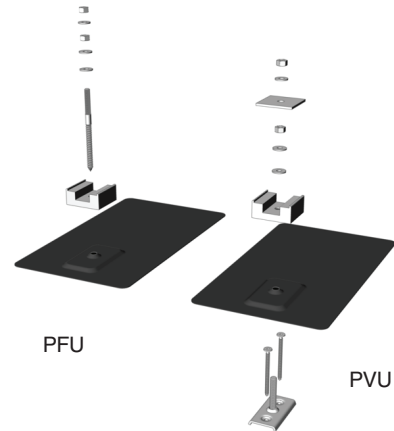


POWER RAIL™ PV Flash

POWER RAIL PV Flash includes one universal slotted compression block, and one 8" x 12" flashing in matte, black color. L-Foot ordered separately.

Part #	Attachment Hardware	Shipping Weight Per Unit (lbs.)	Qty.	Non-Discountable Price
PFU*	5/16" x 6" hangerbolt	0.80	10-49	14.70
			50-99	13.65
			100+	12.08
PVU*	Stainless Steel Base Plate and 3" Fasteners	1.00	10-49	16.80
			50-99	15.75
			100+	14.18

*MUST order in quantities of 10.



Low Profile Tilt Kits – One High Portrait Mounting

The all aluminum Low Profile Tilt Kits mount a set of POWER RAIL extrusions (sold separately) at the tilt angle specified. Tilt kits are designed for portrait module mounting and aid in increasing energy production.

P6 Low-Profile Tilt Kits

Part #	Description	Weight Per Unit (lbs.)	Price
P6-OP15	Low Profile P6 15° tilt kit	6.5	81.90
P6-OP25	Low Profile P6 25° tilt kit	7.0	87.50
P6-OP35	Low Profile P6 35° tilt kit	7.5	92.40
P6-OP45	Low Profile P6 45° tilt kit	8.0	97.65



P6 Low-Profile Tilt Kit
Includes Strong Back, Fixed Leg, Mounting Feet, Rail Brackets, and Hardware.

P6 POWER RAIL Extrusions ordered separately.

P8 Low-Profile Tilt Kits

Part #	Description	Weight Per Unit (lbs.)	Price
P8-OP15	Low Profile P8 15° tilt kit	7.5	102.90
P8-OP25	Low Profile P8 25° tilt kit	8.0	108.15
P8-OP35	Low Profile P8 35° tilt kit	8.5	113.40
P8-OP45	Low Profile P8 45° tilt kit	9.0	118.65



P8 Low-Profile Tilt Kit
Includes Strong Back, Fixed Leg, Mounting Feet, Rail Brackets, and Hardware.

P8 POWER RAIL Extrusions ordered separately.

Two-Tier Tilt Kits – Two High Portrait Mounting

The all aluminum Two-Tier Tilt Kits mount two sets of POWER RAIL extrusions (sold separately) at the tilt angle specified. Tilt kits are designed for portrait module mounting and aid in increasing energy production.

60 Cell Modules

Part #	Description	Weight Per Unit (lbs.)	Price
P14-OP15-60	Two-Tier 15° tilt kit 60 Cell Module	28.12	170.10
P14-OP25-60	Two-Tier 25° tilt kit 60 Cell Module	29.44	177.45
P14-OP35-60	Two-Tier 35° tilt kit 60 Cell Module	30.75	184.80
P14-OP45-60	Two-Tier 45° tilt kit 60 Cell Module	32.03	192.15



Two-Tier Tilt Kit
Includes Strong Back, Fixed Leg, Mounting Feet, Rail Brackets, and Hardware.

P8 POWER RAIL Extrusions ordered separately.

72 Cell Modules

Part #	Description	Weight Per Unit (lbs.)	Price
P14-OP15-72	Two-Tier 15° tilt kit 72 Cell Module	32.53	228.90
P14-OP25-72	Two-Tier 25° tilt kit 72 Cell Module	34.38	236.25
P14-OP35-72	Two-Tier 35° tilt kit 72 Cell Module	35.89	243.60
P14-OP45-72	Two-Tier 45° tilt kit 72 Cell Module	37.36	250.95



Two-Tier Tilt Kit
Includes Strong Back, Fixed Leg, Mounting Feet, Rail Brackets, and Hardware.

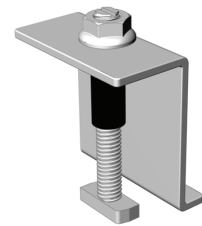
P8 POWER RAIL Extrusions ordered separately. Cross Bracing is required. See Assembly Instructions.

Pre-Assembled Module Clamps with RAD™ Hardware

Module Clamps are Type 304 stainless steel for higher yield strength and durability. Pre-assembled module clamps feature no loose parts and a spacer that keeps free standing clamps in place for a quicker module installation. Patent Pending.

Pre-Assembled End Clamp with RAD Bolt Hardware

Part #	Hardware / Finish	Description	Weight Per Unit (lbs.)	Coated or SS Price	Black Finish Price
PA- EC- <input type="text"/> -RAD	Coated	Pre-Assembled Module End Clamp w/RAD Hardware	0.15	5.36	6.70
PA- EC- <input type="text"/> -RAD-SS	Stainless Steel				
PA- EC- <input type="text"/> -RAD-B	Black				



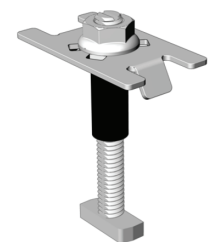
Pre-Assembled End Clamp w/RAD Bolt

Note: Replace with module depth from the Solar Module Specification Sheet.
 Example: PA-EC-46-RAD end clamp for Sharp NU-U240F1 modules

Pre-Assembled AMP™ Mid Clamp with RAD Bolt Hardware

The AMP Clamp eliminates the need for a separate bonding washer.

Part #	Hardware / Finish	Description	Weight Per Unit (lbs.)	Coated or SS Price	Black Finish Price		
PA-GMC-28-33-RAD	Coated	Pre-Assembled Module Mid Clamp for 28-33 mm Thick Frame	.08	4.10	5.12		
PA-GMC-28-33-RAD-SS	Stainless Steel						
PA-GMC-28-33-RAD-B	Black						
PA-GMC-34-39-RAD	Coated	Module Mid Clamp for 34-39 mm Thick Frame		.08	4.10	5.12	
PA-GMC-34-39-RAD-SS	Stainless Steel						
PA-GMC-34-39-RAD-B	Black						
PA-GMC-40-46-RAD	Coated	Module Mid Clamp for 40-46 mm Thick Frame		.08	4.10	5.12	
PA-GMC-40-46-RAD-SS	Stainless Steel						
PA-GMC-40-46-RAD-B	Black						
PA-GMC-47-52-RAD	Coated	Module Mid Clamp for 47-52 mm Thick Frame			.08	4.10	5.12
PA-GMC-47-52-RAD-SS	Stainless Steel						
PA-GMC-47-52-RAD-B	Black						
PA-GMC-53-59-RAD	Coated	Module Mid Clamp for 53-59 mm Thick Frame	.08			4.10	5.12
PA-GMC-53-59-RAD-SS	Stainless Steel						
PA-GMC-53-59-RAD-B	Black						



Pre-Assembled AMP Mid Clamp w/RAD Bolt

Pre-Assembled Purlin Through Hole Clamps

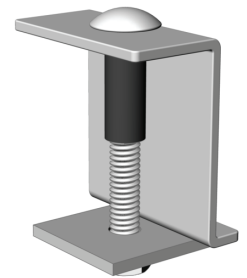
Purlin Through Hole clamps are Type 304 Stainless steel for higher strength and durability. The clamp allows for direct PV module mounting to purlins and other structural members. The patent pending Pre-assembled clamps eliminate handling small parts on the job site and provide for a faster installation.

End Clamp with Carriage Bolt Hardware

Part #	Description	Weight Per Unit (lbs.)	Coated or SS Price	Black Finish Price
PA-EC- <input type="text"/> -PT	Module End Clamp w/Carriage Bolt Hardware	0.15	5.60	6.99
PA-EC- <input type="text"/> -PT-SS				
PA-EC- <input type="text"/> -PT-B				

FOR ORDERING SPECIFY: Standard Coated Finish (-PT suffix), Black Finish (-B suffix), Stainless Steel Finish (-SS suffix)

Note: Replace with module depth in millimeters from the Solar Module Specification Sheet.
Example: PA-EC-46-PT end clamp for Sharp NU-U240F1 modules

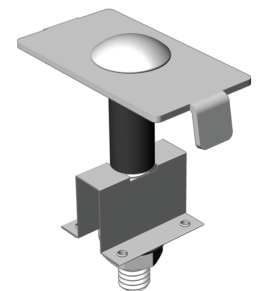


End Clamp w/Carriage Bolt

Mid Clamp with Carriage Bolt Hardware

Part #	Description	Weight Per Unit (lbs.)	Coated or SS Price	Black Finish Price
PAW-MC-28-33-PT	Module Mid Clamp for 28-33 mm Thick Frame	.08	4.99	6.24
PAW-MC-28-33-PT-SS				
PAW-MC-28-33-PT-B				
PAW-MC-34-39-PT	Module Mid Clamp for 34-39 mm Thick Frame	.08	4.99	6.24
PAW-MC-34-39-PT-SS				
PAW-MC-34-39-PT-B				
PAW-MC-40-46-PT	Module Mid Clamp for 40-46 mm Thick Frame	.08	4.99	6.24
PAW-MC-40-46-PT-SS				
PAW-MC-40-46-PT-B				
PAW-MC-47-52-PT	Module Mid Clamp for 47-52 mm Thick Frame	.08	4.99	6.24
PAW-MC-47-52-PT-SS				
PAW-MC-47-52-PT-B				
PAW-MC-53-59-PT	Module Mid Clamp for 53-59 mm Thick Frame	.08	4.99	6.24
PAW-MC-53-59-PT-SS				
PAW-MC-53-59-PT-B				

FOR ORDERING SPECIFY: Standard Coated Finish (-PT suffix), Black Finish (-B suffix), Stainless Steel Finish (-SS suffix)



Mid Clamp w/Carriage Bolt

Universal End Clamp

Universal End Clamps are Type 304 Stainless steel for higher strength and durability. The clamps secure a wide range of PV module frames and reduce SKUs

Universal End Clamp – Flange Mount – Bottom Access

Part #	Description	Weight Per Unit (lbs.)	Price
P6-ECU	Universal End Clamp w/Set Bolt for P6	0.15	8.40
P8-ECU	Universal End Clamp w/Set Bolt for P8	0.25	9.45

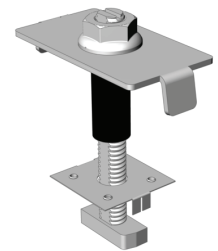


Pre-Assembled Module Clamps with WEEB Grounding

The patent pending, pre-assembled clamps eliminate handling small parts on the job site and provide for a faster installation. Includes grounding washer for penetrating and bonding PV modules to anodized or coated mounting rails.

Pre-Assembled Mid Clamp with RAD™ Bolt Hardware and WEEB-DPR

Part #	Description	Weight Per Unit (lbs.)	Hardware / Finish	Coated or SS Price	Black Finish Price
PAW-MC-28-33-RAD	Pre-Assembled Module Mid Clamp for 28-33 mm Thick Frame	.08	Coated	7.61	9.06
PAW-MC-28-33-RAD-SS			Stainless Steel		
PAW-MC-28-33-RAD-B			Black		
PAW-MC-34-39-RAD	Module Mid Clamp for 34-39 mm Thick Frame	.08	Coated	7.61	9.06
PAW-MC-34-39-RAD-SS			Stainless Steel		
PAW-MC-34-39-RAD-B			Black		
PAW-MC-40-46-RAD	Module Mid Clamp for 40-46 mm Thick Frame	.08	Coated	7.61	9.06
PAW-MC-40-46-RAD-SS			Stainless Steel		
PAW-MC-40-46-RAD-B			Black		
PAW-MC-47-52-RAD	Module Mid Clamp for 47-52 mm Thick Frame	.08	Coated	7.61	9.06
PAW-MC-47-52-RAD-SS			Stainless Steel		
PAW-MC-47-52-RAD-B			Black		
PAW-MC-53-59-RAD	Module Mid Clamp for 53-59 mm Thick Frame	.08	Coated	7.61	9.06
PAW-MC-53-59-RAD-SS			Stainless Steel		
PAW-MC-53-59-RAD-B			Black		



Pre-Assembled Mid Clamp w/RAD Bolt and WEEB-DPR

Note: Pre-assembled Mid Clamps provide for a 3/8" gap between modules.

Grounding Hardware

Part #	Description	Weight Per Unit (lbs.)	Quantity	Non-Discountable Price
WEEB-DPF*	Module Grounding Clip	.003	10-99	1.58
			100-999	1.16
			1000+	.95
WEEB-11.5*	Splice Plate Grounding Clip	.003	10-99	1.58
			100-999	1.16
			1000+	.95
WEEBL-8.0-KIT*	Rail Grounding Lug	0.19	10-99	5.93
			100+	4.88
WEEB-8.0-RBJ-KIT*	Rail Bonding Jumper	0.11	10-99	8.19
			100+	6.77
ACC-PV*	ACME PV Cable Clip	0.006	10-99	.55
			100-999	.43
			1000+	.35
ACC*	ACME – 2 Cable Clip	0.006	10-99	.55
			100-999	.43
			1000+	.35

NOTE: Cable Clips snugly hold 1 or 2 designated cables.

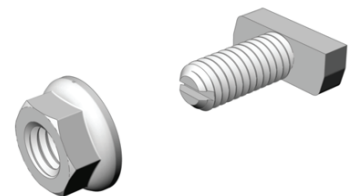
*MUST order in quantities of 10

FOR ORDERING SPECIFY: Standard Coated Finish (-PT suffix), Black Finish (-B suffix), Stainless Steel Finish (-SS suffix)



Turn Bolts

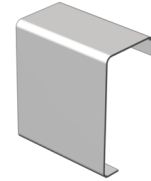
Part #	Hardware / Finish	Description	Weight Per Unit (lbs.)	Price
TB	Coated	5/16" x 3/4" Turn Bolt w/ Flange Nut	0.05	1.73
TB-SS	Stainless Steel			
TB-1	Coated	5/16" x 1" Turn Bolt w/ Flange Nut	0.06	1.89
TB-1-SS	Stainless Steel			



Wire Management Clips

Wire management clips are made from stainless steel and secure cables to PV modules and mounting rails to simplify wire management.

Part #	Description	Weight Per Unit (lbs.)	Price
XD-WC	XD Wire Management Clip	0.05	2.10
UD-WC	UD Wire Management Clip	0.07	2.47
LD-WC	LD Wire Management Clip	0.076	2.63
MD-WC	MD Wire Management Clip	0.099	2.78



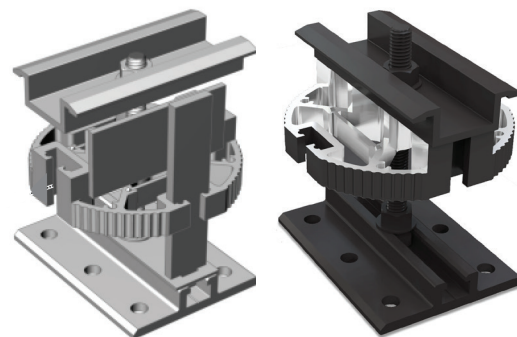
XD/UD/MD/LD Clip

POWER DISK™

The POWER DISK is the professional grade choice for mounting PV Modules on residential roofs. Featuring a rail-less design, easier height adjustment, and integrated grounding. The POWER DISK mounts directly over metal or composite shingles into roof decking and does not require attachment to a roof structural member. Sealing butyl mastic and specialty screws or lags are included.

POWER DISK with Screws – Mounts directly to roof decking anywhere

Part #	Description
PD-S	POWER DISK with Roof Deck Screws
PD-SB	POWER DISK with Roof Deck Screws, Black
PDF-SH	POWER DISK with Flashing, Roof Deck Screws, Portrait Mounting
PDF-SV	POWER DISK with Flashing, Roof Deck Screws, Landscape Mounting
PDF-SHB	POWER DISK with Flashing, Roof Deck Screws, Black, Portrait Mounting
PDF-SVB	POWER DISK with Flashing, Roof Deck Screws, Black, Landscape Mounting
PT	POWER TRIM Black Skirt, 59.5", includes mounting fasteners



Black version now available

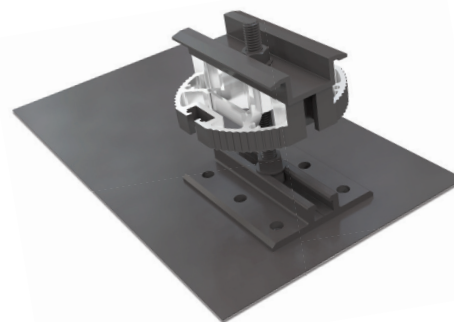
All catalog numbers are ordered and packaged in quantities of **10 per carton**.

Roof Deck Screws are 1-1/2" long, Lag Screws are 2-1/2" long.

Select **PDF-SV** for landscape mounting, rafter attachment with flashing.

POWER DISK with Lag Bolts – Mounts directly to roof structural member

Part #	Description
PD-L	POWER DISK with Lags
PD-LB	POWER DISK with Lags, Black
PDF-L	POWER DISK with Flashing, Lags
PDF-LB	POWER DISK with Flashing, Lags, Black
PT	POWER TRIM Black Skirt, 59.5", includes mounting fasteners



Flashing option shown – mounting screws included

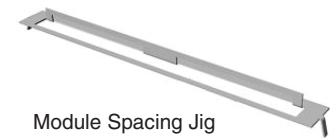
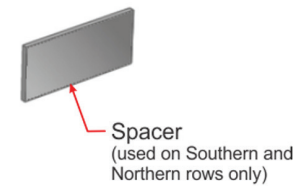


POWER TRIM Black Skirt – mounting screws included

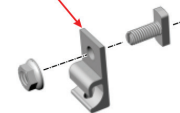
POWER DISK™

POWER DISK Accessories

Part #	Description	Frame Thickness	Finish
CS-49-51	POWER DISK Perimeter Clamp Spacer	49 - 51 mm	Mill
CS-46-48	POWER DISK Perimeter Clamp Spacer	46 - 48 mm	Mill
CS-43-45	POWER DISK Perimeter Clamp Spacer	43 - 45 mm	Mill
CS-40-42	POWER DISK Perimeter Clamp Spacer	40 - 42 mm	Mill
CS-37-39	POWER DISK Perimeter Clamp Spacer	37 - 39 mm	Mill
CS-34-36	POWER DISK Perimeter Clamp Spacer	34 - 36 mm	Mill
CS-31-33	POWER DISK Perimeter Clamp Spacer	31 - 33 mm	Mill
5802326	Module Spacing Jig		
WEEBL-8.0 -KIT-SS	Ground lug and turn bolt		



Grounding Lug and turn bolt (optional)





Global Headquarters

660 Beta Drive
Cleveland, Ohio 44143 USA

Telephone: (440) 461-5200

Toll Free: (800) 260-3792

Fax: (440) 442-8816

Website: preformed.com

Email: info@plpsolar.com

© 2019 Preformed Line Products
SL-ML-1034-11P
01.19.IH