

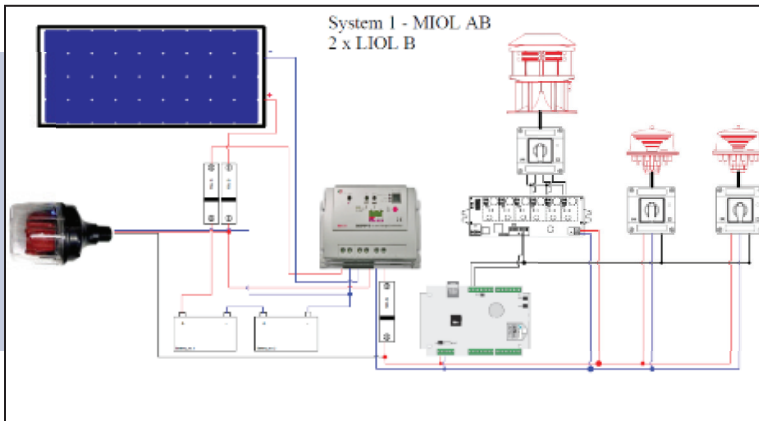
AIRCRAFT WARNING LIGHT SYSTEMS



AIRCRAFT WARNING LIGHT (AWL) SYSTEMS

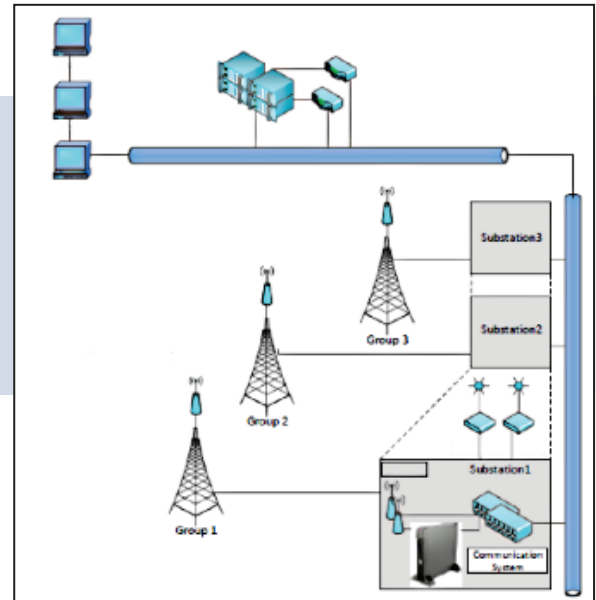
AWL System

- Custom-designed solutions to meet customer's requirements
- Utilizes LED light technology
- Designed in accordance with the International Civil Aviation Organization (ICAO) and the Federal Aviation Administration (FAA) standards
- Meets ICAO and FAA requirements
- Integrated lights and power supply



Advanced AWL System

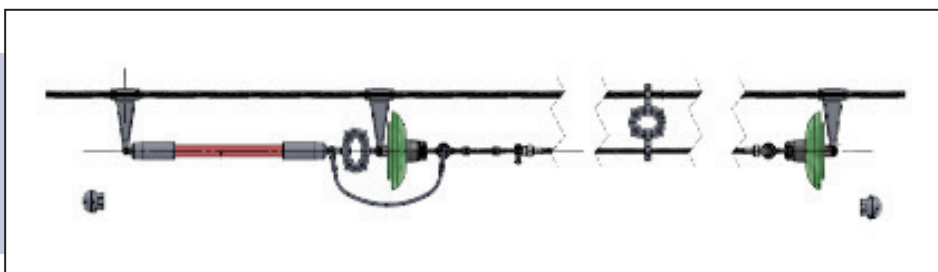
- Standard AWL System equipment options:
 - Synchronous and catenary flashing between more than one beacon via Ethernet
 - Synchronous and catenary flashing between more than one beacon via satellite
 - Daylight detection
 - Beacon failure detection



Solar Powered AWL System

- Utilizes PLP's solar mounting technology and components
- Pulse-width modulation or maximum PowerPoint tracking controller
- Converter or inverter
- Battery back-up supply
- Photovoltaic solar panels
- Optional communication system

Conductor AWL System



- Used near airports and terrain where night warning lights on transmission lines are needed
- Night warning lights are installed directly on the conductor
- Designed in accordance with ICAO and FAA standards

AIRCRAFT WARNING LIGHTS COMPONENTS AND ACCESSORIES



Low-Intensity LED Lights

- Steady burning red light
- Long lifetime: 10+ years expectancy
- Stabilized light output
- IP65



Medium-Intensity LED Lights

- Steady-burning red light option or
 - Flashing red light for (20-40 FPM) or
 - Flashing white light (20-40 FPM) in day and night mode
- Long lifetime: 10+ years expectancy
- Stabilized light output
- Inert internal atmosphere
- Borosilicate cover protection
- IP66



Medium-Intensity LED Lights – White Day/Red Night

- Flashing white light for (20-40 FPM) day mode
- Flashing red light (20-40 FPM) night mode or steady burning red light in night mode
- Long lifetime: 10+ years expectancy
- Stabilized light output
- Inert internal atmosphere
- Borosilicate cover protection
- IP66



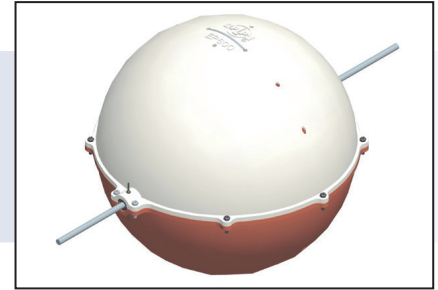
High-Intensity LED Lights

- Flashing white light (20-40 FPM) in day and night mode
- Long lifetime: 10+ years expectancy
- Stabilized light output
- Inert internal atmosphere
- Borosilicate cover protection
- IP66



Low-Medium Intensity Explosion - Proof LED Lights

- Long lifetime: >10 years expectancy
- Stabilized light output
- Ex certificate nr. CESI CESI 03ATEX046
- Borosilicate cover protection
- IP66



Aircraft Warning Spheres

- Designed to make overhead power lines visible to low-flying aircraft
- Available in several sizes and materials
- Meets ICAO and FAA requirements



Solar Panels and Hardware

- Commercially available solar panels
- PLP custom-designed attachment hardware for any mounting situation
- Inverter, battery, and accessories



Communication Hardware

- Controller to allow for synchronous and catenary flashing of multiple beacons via Ethernet
- Controller to allow for synchronous and catenary flashing of multiple beacons via satellite



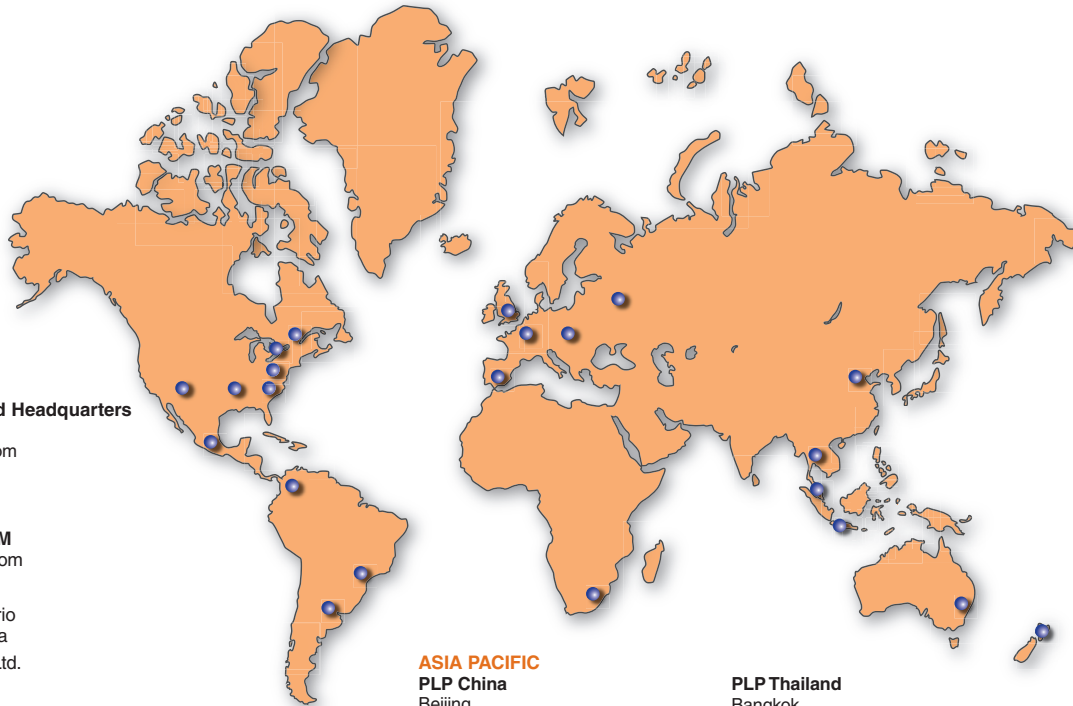
Power Supply Control Panel

- PSCP available: coated steel box or SS316 stainless steel box
- Fiberglass IP65 or IP66 protection available
- Ex protection available: Ex-d; Ex-e; Ex-p
- Dimensions and content according to the obstruction lights system.

AIRCRAFT WARNING SYSTEMS for:

- Power Transmission Lines and Towers
- Communications Towers
- Chimneys
- Wind Turbines
- Cooling Towers
- Buildings
- Cranes

Integrating the latest LED Light Technology with PLP's proven Solar Mounting Solutions.



AMERICAS

PLP U.S.A/World Headquarters

Cleveland, OH
www.preformed.com

Rogers, AR

Albemarle, NC

Albuquerque, NM
www.preformed.com

PLP Canada

Cambridge, Ontario
www.preformed.ca

Helix Uniformed Ltd.
Lachine, Quebec
www.helix-uni.ca

PLP Mexico

Querétaro
www.plpmexico.com

PLP Argentina

Buenos Aires
www.plpargentina.com.ar

PLP Brazil

São Paulo
www.plp.com.br

PLP Colombia

Medellin
www.preformed.com

ASIA PACIFIC

PLP China

Beijing
www.plp.com.cn

PLP Indonesia

Jakarta
www.preformed.asia/Indonesia

PLP Malaysia

Kuala Lumpur
www.preformed.asia/Malaysia

PLP Thailand

Bangkok
www.preformed.asia

PLP Australia

Sydney
www.preformed.com.au

PLP New Zealand

Electropar Ltd. Auckland
www.electropar.co.nz

EMEA

PLP France

Paris
www.preformed.com

PLP Great Britain

Andover, Hampshire
www.preformed-gb.com

PLP Poland

Bielsko-Biala
www.belos-plp.com.pl

PLP Russia

Moscow
www.plp.ru

PLP Spain

Seville
www.plp-spain.com

PLP South Africa

Pietermaritzburg
www.preformedsa.co.za



PREFORMED LINE PRODUCTS

Global Headquarters

Preformed Line Products Company
660 Beta Drive
Cleveland, Ohio 44143

Mailing Address

P.O. Box 91129
Cleveland, Ohio 44101

Telephone: 440.461.5200

Fax: 440.442.8816

Website: preformed.com

Email: inquiries@preformed.com

© 2018 Preformed Line Products Company

Printed in U.S.A.

EN-BR-1029-1

10-18-IH