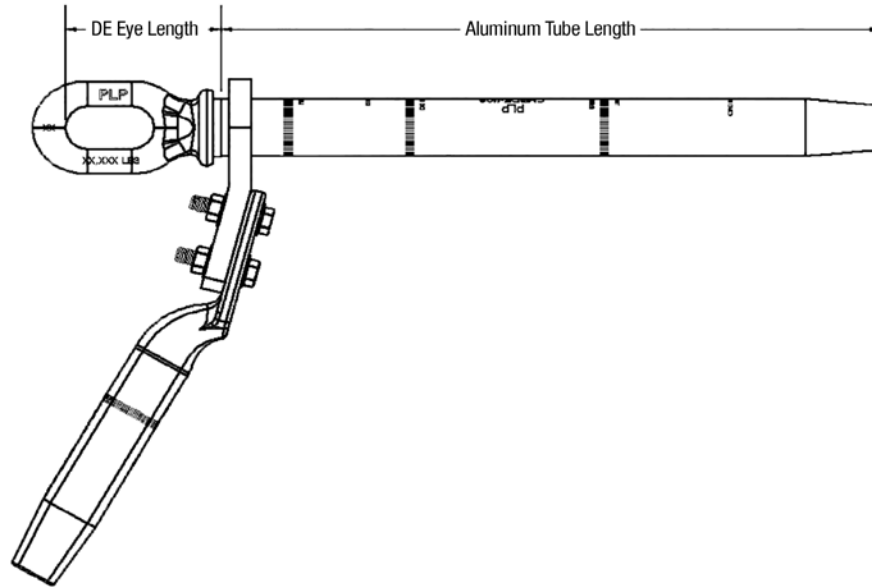




## Two Stage Compression Hardware Series for ACSS and ACSS/TW Conductors

### Compression Dead-end Jumper Assembly – CMPDEJ



#### ACSS Conductors

Dead End Assembly Catalog Number	Conductor Information				Al. Body Part No.	Al. Die Size	Steel Eye Part No.	Steel Die Size	Dimensions		DE Eye Class
	Code Word	Area kcmil	Al/St	Dia in					Al. Tube Length in	DE Eye Length in	
CMPDEJ-701HT	Woodcock ACSS	336.4	22/7	0.701	86000	20AH	86001	76SH	21.5	5.2	2
CMPDEJ-720HT	Linnet ACSS	336.4	26/7	0.720	86005	20AH	86006	10SH	21.5	5.2	2
CMPDEJ-741HT	Oriole ACSS	336.4	30/7	0.741	86010	20AH	86011	10SH	21.5	5.2	2
CMPDEJ-752HT	Ptarmigan ACSS	397.5	20/7	0.752	86015	20AH	86016	10SH	22	5.2	2
CMPDEJ-772HT	Brant ACSS	397.5	24/7	0.772	86020	20AH	86021	10SH	22	5.2	2
CMPDEJ-783HT	Ibis ACSS	397.5	26/7	0.783	86025	20AH	86026	10SH	22	5.2	2
CMPDEJ-806HT	Lark ACSS	397.5	30/7	0.806	86030	20AH	86031	12SH	2.7	5.2	2
CMPDEJ-824HT	Tailorbird ACSS	477	20/7	0.824	86035	20AH	86036	10SH	22.2	5.2	2
CMPDEJ-846HT	Flicker ACSS	477	24/7	0.846	86040	24AH	86041	10SH	22.2	5.2	2
CMPDEJ-858HT	Hawk ACSS	477	26/7	0.858	86045	24AH	86046	12SH	22.2	5.2	2
CMPDEJ-883HT	Hen ACSS	477	30/7	0.883	86050	24AH	86051	12SH	22.2	5.2	2
CMPDEJ-901HT	Sapsucker ACSS	556.5	22/7	0.901	86055	24AH	86056	10SH	22.2	5.2	2
CMPDEJ-914HT	Parakeet ACSS	556.5	24/7	0.914	86060	24AH	86061	10SH	25	5.2	2
CMPDEJ-927HT	Dove ACSS	556.5	26/7	0.927	86065	27AH	86066	12SH	25	5.2	2
CMPDEJ-953HT	Eagle ACSS	556.5	30/7	0.953	86070	27AH	86071	14SH	25	5.5	3
CMPDEJ-963HT	Goldfinch ACSS	636	22/7	0.963	86080	27AH	86081	10SH	25	5.2	2
CMPDEJ-966HT	Squab ACSS	605	26/7	0.966	86085	27AH	86086	12SH	25	5.2	2
CMPDEJ-977HT	Rook ACSS	636	24/7	0.977	86105	27AH	86106	12SH	26.4	5.2	2
CMPDEJ-991HT	Grosbeak ACSS	636	26/7	0.991	86090	27AH	86091	12SH	26.4	5.5	3
CMPDEJ-994HT	Wood Duck ACSS	605	30/7	0.994	86095	27AH	86096	14SH	26.4	5.5	3
	Teal ACSS	605	30/19	0.994	86095	27AH	86096	14SH	26.4	5.5	3
CMPDEJ-1000HT	Flamingo ACSS	666.6	24/7	1.000	86110	27AH	86111	12SH	26.4	5.2	2
CMPDEJ-1014HT	Gannet ACSS	666.6	26/7	1.014	86115	27AH	86116	14SH	26.4	5.5	3
CMPDEJ-1019HT	Scoter ACSS	636	30/7	1.019	86125	27AH	86126	14SH	26.4	5.5	3
	Egret ACSS	636	30/19	1.019	86125	27AH	86126	14SH	26.4	5.5	3

Continued on next page

## Two Stage Compression Hardware Series for ACSS and ACSS/TW Conductors

## ACSS Conductors

Dead End Assembly Catalog Number	Conductor Information				Al. Body Part No.	Al. Die Size	Steel Eye Part No.	Steel Die Size	Dimensions		DE Eye Class
	Code Word	Area kcmil	Al/St	Dia in					Al. Tube Length in	DE Eye Length in	
CMPDEJ-1036HT	Stilt ACSS	715.5	24/7	1.036	86135	30AH	86136	12SH	26.4	5.5	3
CMPDEJ-1051HT	Starling ACSS	715.5	26/7	1.051	86120	30AH	86121	14SH	26.4	5.5	3
CMPDEJ-1055HT	Macaw ACSS	795	42/7	1.055	86140	30AH	86141	10SH	26.4	5.2	2
CMPDEJ-1063HT	Tern ACSS	795	45/7	1.063	86145	30AH	86146	10SH	26.4	5.2	2
CMPDEJ-1081HT	Redwing ACSS	715.5	30/19	1.081	86150	30AH	86151	16SH	26.4	5.5	3
CMPDEJ-1092HT	Condor ACSS	795	54/7	1.092	86155	30AH	86156	12SH	26.4	5.5	3
	Cuckoo ACSS	795	24/7	1.092	86155	30AH	86156	12SH	26.4	5.5	3
CMPDEJ-1108HT	Drake ACSS	795	26/7	1.108	86165	30AH	86166	14SH	26.4	5.5	3
CMPDEJ-1131HT	Ruddy ACSS	900	45/7	1.131	86170	30AH	86171	10SH	26.4	5.2	2
CMPDEJ-1140HT	Mallard ACSS	795	30/19	1.140	86175	30AH	86176	16SH	26.4	5.5	3
CMPDEJ-1162HT	Canary ACSS	900	54/7	1.162	86180	30AH	86181	14SH	26.4	5.5	3
CMPDEJ-1165HT	Rail ACSS	954	45/7	1.165	86185	30AH	86186	10SH	26.4	5.5	3
	Corncake ACSS	954	20/7	1.165	86185	30AH	86186	10SH	26.4	5.5	3
CMPDEJ-1175HT	Towhee ACSS	954	48/7	1.175	86190	30AH	86191	12SH	26.4	5.5	3
CMPDEJ-1196HT	Cardinal ACSS	954	54/7	1.196	86195	30AH	86196	14SH	27.8	5.5	3
	Redbird ACSS	954	24/7	1.196	86195	30AH	86196	14SH	27.8	5.5	3
CMPDEJ-1203HT	Snowbird ACSS	1033.5	42/7	1.203	86200	34AH	86201	10SH	27.8	5.5	3
CMPDEJ-1212HT	Ortolan ACSS	1033.5	45/7	1.212	86205	34AH	86206	10SH	27.8	5.5	3
CMPDEJ-1245HT	Curlew ACSS	1033.5	54/7	1.245	86210	34AH	86211	14SH	27.8	5.5	3
CMPDEJ-1248HT	Canvasback ACSS	954	30/19	1.248	86215	34AH	86216	18SH	27.8	5.7	4
CMPDEJ-1258HT	Bluejay ACSS	1113	45/7	1.258	86220	34AH	86221	12SH	27.8	5.5	3
CMPDEJ-1292HT	Finch ACSS	1113	54/19	1.292	86225	34AH	86226	14SH	27.8	5.5	3
CMPDEJ-1302HT	Bunting ACSS	1192.5	45/7	1.302	86230	34AH	86231	12SH	27.8	5.5	3
CMPDEJ-1337HT	Grackle ACSS	1192.5	54/19	1.337	86235	36AH	86236	14SH	28.1	5.7	4
CMPDEJ-1345HT	Bittern ACSS	1272	45/7	1.345	86240	36AH	86241	12SH	28.1	5.5	3
CMPDEJ-1357HT	Diver ACSS	1272	48/7	1.357	86245	36AH	86246	14SH	28.1	5.5	3
CMPDEJ-1381HT	Pheasant ACSS	1272	54/19	1.381	86250	36AH	86251	16SH	28.1	5.7	4
CMPDEJ-1386HT	Dipper ACSS	1351.5	45/7	1.386	86255	36AH	86256	12SH	28.1	5.5	3
CMPDEJ-1424HT	Martin ACSS	1351.5	54/19	1.424	86260	38AH	86261	16SH	28.9	5.7	4
CMPDEJ-1427HT	Bobolink ACSS	1431	45/7	1.427	86265	38AH	86266	12SH	28.9	5.5	3
CMPDEJ-1465HT	Plover ACSS	1431	54/19	1.465	86270	38AH	86271	16SH	28.9	5.7	4
CMPDEJ-1492HT	Ratite ACSS	1590	42/7	1.492	86280	40AH	86281	12SH	28.9	5.5	3
CMPDEJ-1504HT	Lapwing ACSS	1590	45/7	1.504	86285	40AH	86286	12SH	28.9	5.7	4
CMPDEJ-1505HT	Parrot ACSS	1510.5	54/19	1.505	86290	40AH	86291	16SH	28.9	5.7	4
CMPDEJ-1544HT	Falcon ACSS	1590	54/19	1.544	86295	40AH	86296	18SH	29.7	5.8	5
CMPDEJ-1601HT	Chucker ACSS	1780	84/19	1.601	86300	42AH	86301	14SH	29.7	5.8	5
CMPDEJ-1681HT	Mockingbird ACSS	2034.5	72/7	1.681	86305	42AH	86306	14SH	30.9	5.8	5
CMPDEJ-1700HT	Roadrunner ACSS	2057	76/19	1.700	86310	42AH	86311	14SH	30.9	5.8	5
CMPDEJ-1735HT	Kiwi ACSS	2167	72/7	1.735	86315	44AH	86316	12SH	30.9	5.8	5
CMPDEJ-1762HT	Bluebird ACSS	2156	84/19	1.762	86320	44AH	86321	16SH	30.9	5.8	5
CMPDEJ-1802HT	Thrasher ACSS	2312	76/19	1.802	86325	44AH	86326	14SH	30.9	5.8	5
CMPDEJ-1880HT	Joree ACSS	2515	76/19	1.880	86330	44AH	86331	14SH	32.3	5.8	5

Continued on next page



## Two Stage Compression Hardware Series for ACSS and ACSS/TW Conductors

### ACSS/TW Conductors

Dead End Assembly Catalog Number	Conductor Information				Al. Body Part No.	Al. Die Size	Steel Eye Part No.	Steel Die Size	Dimensions		DE Eye Class
	Code Word	Area kcmil	Al/St	Dia in					Al. Tube Length in	DE Eye Length in	
CMPDEJ-659TWHT	Linnet ACSS/TW	336.4	18/7	0.659	86335	76AH	86336	12SH	21.4	5.2	2
CMPDEJ-693TWHT	Oriole ACSS/TW	336.4	16/7	0.693	86340	20AH	86341	10SH	21.4	5.2	2
CMPDEJ-776TWHT	Flicker ACSS/TW	447	18/7	0.776	86345	24AH	86346	10SH	22.2	5.2	2
CMPDEJ-789TWHT	Hawk ACSS/TW	447	18/7	0.789	86350	24AH	86351	12SH	22.2	5.2	2
CMPDEJ-825TWHT	Hen ACSS/TW	447	16/7	0.825	86355	24AH	86356	12SH	22.2	5.2	2
CMPDEJ-835TWHT	Parakeet ACSS/TW	556.5	18/7	0.835	86360	24AH	86361	10SH	22.2	5.2	2
CMPDEJ-846TWHT	Mohawk ACSS/TW	571.7	18/7	0.846	86445	24AH	86446	12SH	22.2	5.2	2
CMPDEJ-852TWHT	Dove ACSS/TW	556.5	20/7	0.852	86365	24AH	86366	12SH	22.2	5.2	2
CMPDEJ-858TWHT	Calumet ACSS/TW	565.3	20/7	0.858	86450	24AH	86451	12SH	22.2	5.2	2
CMPDEJ-890TWHT	Rook ACSS/TW	636	18/7	0.890	86370	27AH	86371	12SH	25	5.2	2
CMPDEJ-908TWHT	Grosbeak ACSS/TW	636	20/7	0.908	86375	27AH	86376	12SH	25	5.5	3
CMPDEJ-913TWHT	Mystic ACSS/TW	666.6	20/7	0.913	86455	27AH	86456	12SH	25	5.2	2
CMPDEJ-927TWHT	Oswego ACSS/TW	664.8	20/7	0.927	86460	27AH	86461	12SH	25	5.2	2
CMPDEJ-953TWHT	Scoter ACSS/TW	636	18/7	0.953	86380	27AH	86381	14SH	25	5.5	3
CMPDEJ-960TWHT	Tem ACSS/TW	795	17/7	0.960	86385	30AH	86386	10SH	25	5.2	2
CMPDEJ-977TWHT	Maumee ACSS/TW	768.2	20/7	0.977	86465	30AH	86466	14SH	25	5.2	2
CMPDEJ-980TWHT	Puffin ACSS/TW	795	18/7	0.980	86390	30AH	86391	12SH	25	5.2	2
CMPDEJ-990TWHT	Wabash ACSS/TW	762.8	20/7	0.990	86420	30AH	86421	14SH	25	5.2	2
CMPDEJ-993TWHT	Condor ACSS/TW	795	20/7	0.993	86395	30AH	86396	12SH	25	5.5	3
CMPDEJ-1010TWHT	Drake ACSS/TW	795	20/7	1.010	86400	30AH	86401	14SH	25	5.5	3
CMPDEJ-1044TWHT	Phoenix ACSS/TW	954	30/7	1.044	86410	30AH	86411	12SH	26.4	5.2	2
CMPDEJ-1055TWHT	Canary ACSS/TW	900	20/7	1.055	86405	30AH	86406	14SH	26.4	5.5	3
CMPDEJ-1060TWHT	Kettle ACSS/TW	957.2	32/7	1.060	86480	30AH	86481	12SH	26.4	5.2	2
CMPDEJ-1061TWHT	Rail ACSS/TW	954	32/7	1.061	86415	30AH	86416	10SH	26.4	5.5	3
CMPDEJ-1077TWHT	Fraser ACSS/TW	946.7	35/7	1.077	86485	30AH	86486	12SH	26.4	5.2	2
CMPDEJ-1084TWHT	Cardinal ACSS/TW	954	20/7	1.084	86420	30AH	86421	14SH	26.4	5.5	3
CMPDEJ-1089TWHT	Snowbird ACSS/TW	1033.5	30/7	1.089	86425	34AH	86426	12SH	26.4	5.5	3
CMPDEJ-1092TWHT	Columbia ACSS/TW	966.2	21/7	1.092	86490	30AH	86491	14SH	26.4	5.5	3
CMPDEJ-1102TWHT	Ortolan ACSS/TW	1033.5	32/7	1.102	86430	34AH	86431	12SH	26.4	5.5	3
CMPDEJ-1108TWHT	Suwannee ACSS/TW	959.6	22/7	1.108	86495	30AH	86496	14SH	26.4	5.7	4
CMPDEJ-1129TWHT	Curlew ACSS/TW	1033.5	22/7	1.129	86435	34AH	86436	14SH	27.8	5.5	3
CMPDEJ-1143TWHT	Bluejay ACSS/TW	1113	33/7	1.143	86555	34AH	86556	12SH	27.8	5.5	3
CMPDEJ-1155TWHT	Cheyenne ACSS/TW	1168.1	30/7	1.155	86500	34AH	86501	12SH	27.8	5.2	2
CMPDEJ-1165TWHT	Genessee ACSS/TW	1158	33/7	1.165	86505	34AH	86506	12SH	27.8	5.2	2
CMPDEJ-1167TWHT	Oxbird ACSS/TW	1192.5	30/7	1.167	86565	34AH	86566	12SH	27.8	5.2	2
CMPDEJ-1181TWHT	Bunting ACSS/TW	1192.5	33/7	1.181	86570	34AH	86571	12SH	27.8	5.5	3
CMPDEJ-1185TWHT	Finch ACSS/TW	1113	38/19	1.185	86560	34AH	86561	14SH	27.8	5.5	3
CMPDEJ-1196TWHT	Hudson ACSS/TW	1158.4	25/7	1.196	86510	34AH	86511	14SH	27.8	5.5	3
CMPDEJ-1203TWHT	Catawba ACSS/TW	1272	30/7	1.203	86515	36AH	86516	12SH	27.8	5.2	2
CMPDEJ-1213TWHT	Nelson ACSS/TW	1257.1	35/7	1.213	86520	34AH	86521	12SH	27.8	5.2	2

Continued on next page

## Two Stage Compression Hardware Series for ACSS and ACSS/TW Conductors

## ACSS/TW Conductors

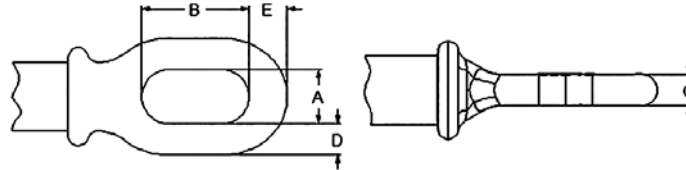
Dead End Assembly Catalog Number	Conductor Information				Al. Body Part No.	Al. Die Size	Steel Eye Part No.	Steel Die Size	Dimensions		DE Eye Class
	Code Word	Area kcmil	Al/St	Dia in					Al. Tube Length in	DE Eye Length in	
CMPDEJ-1220TWHT	Bittern ACSS/TW	1272	35/7	1.220	86585	36AH	86586	12SH	27.8	5.5	3
CMPDEJ-1225TWHT	Grackle ACSS/TW	1192.5	38/19	1.225	86575	36AH	86576	14SH	27.8	5.7	4
CMPDEJ-1245TWHT	Yukon ACSS/TW	1233.6	38/19	1.245	86525	34AH	86526	14SH	27.8	5.5	3
CMPDEJ-1248TWHT	Truckee ACSS/TW	1372.5	30/7	1.248	86530	34AH	86531	12SH	28.1	5.2	2
CMPDEJ-1256TWHT	Dipper ACSS/TW	1351.5	35/7	1.256	86595	36AH	86596	12SH	28.1	5.5	3
CMPDEJ-1259TWHT	Mackenzie ACSS/TW	1359.7	36/7	1.259	86535	36AH	86536	12SH	28.1	5.2	2
CMPDEJ-1264TWHT	Pheasant ACSS/TW	1272	39/19	1.264	86590	36AH	86591	16SH	28.1	5.7	4
CMPDEJ-1290TWHT	Thames ACSS/TW	1334.6	39/19	1.290	86540	36AH	86541	14SH	28.1	5.5	3
CMPDEJ-1291TWHT	Bobolink ACSS/TW	1431	36/7	1.291	86605	38AH	86606	12SH	28.1	5.5	3
CMPDEJ-1292TWHT	St. Croix ACSS/TW	1467.8	33/7	1.292	86545	38AH	86546	12SH	28.1	5.2	2
CMPDEJ-1300TWHT	Martin ACSS/TW	1351.5	39/19	1.300	86600	38AH	86601	16SH	28.1	5.7	4
CMPDEJ-1302TWHT	Miramichi ACSS/TW	1455.3	36/7	1.302	86550	38AH	86551	14SH	28.9	5.5	3
CMPDEJ-1334TWHT	Platte ACSS/TW	1569	33/7	1.334	86640	38AH	86641	12SH	28.9	5.2	2
CMPDEJ-1337TWHT	Plover ACSS/TW	1431	39/19	1.337	86610	38AH	86611	16SH	28.9	5.7	4
CMPDEJ-1340TWHT	Merrimack ACSS/TW	1433.6	39/19	1.340	86635	38AH	86636	16SH	28.9	5.5	3
CMPDEJ-1345TWHT	Potomac ACSS/TW	1557.4	36/7	1.345	86645	38AH	86646	14SH	28.9	5.5	3
CMPDEJ-1358TWHT	Lapwing ACSS/TW	1590	36/7	1.358	86615	40AH	86616	12SH	28.9	5.7	4
CMPDEJ-1382TWHT	Rio Grande ACSS/TW	1533.3	39/19	1.382	86650	38AH	86651	16SH	28.9	5.7	4
CMPDEJ-1386TWHT	Schuykill ACSS/TW	1657.4	36/7	1.386	86655	40AH	86656	14SH	28.9	5.5	3
CMPDEJ-1408TWHT	Falcon ACSS/TW	1590	42/19	1.408	86635	40AH	86636	18SH	28.9	5.8	5
CMPDEJ-1424TWHT	Pecos ACSS/TW	1622	39/19	1.424	86660	40AH	86661	18SH	29.7	5.7	4
CMPDEJ-1427TWHT	Pee Dee ACSS/TW	1758.6	37/7	1.427	86665	40AH	86666	14SH	29.7	5.5	3
CMPDEJ-1445TWHT	Chuckar ACSS/TW	1780	37/19	1.445	86625	42AH	86626	14SH	29.7	5.8	5
CMPDEJ-1470TWHT	James ACSS/TW	1730.6	39/19	1.470	86670	40AH	86671	18SH	29.7	5.7	4
CMPDEJ-1504TWHT	Athabaska ACSS/TW	1949.6	42/7	1.504	86675	42AH	86676	14SH	30.9	5.5	3
CMPDEJ-1545TWHT	Cumberland ACSS/TW	1926.9	42/19	1.545	86680	42AH	86681	18SH	30.9	5.7	4
CMPDEJ-1602TWHT	Powder ACSS/TW	2153.8	64/19	1.602	86685	44AH	86686	14SH	30.9	5.7	4
CMPDEJ-1608TWHT	Bluebird ACSS/TW	2156	64/19	1.608	86630	44AH	86631	16SH	30.9	5.8	5
CMPDEJ-1762TWHT	Santee ACSS/TW	2627.3	64/19	1.762	86690	48AH	86691	16SH	32.3	5.7	4



## Two Stage Compression Hardware Series for ACSS and ACSS/TW Conductors

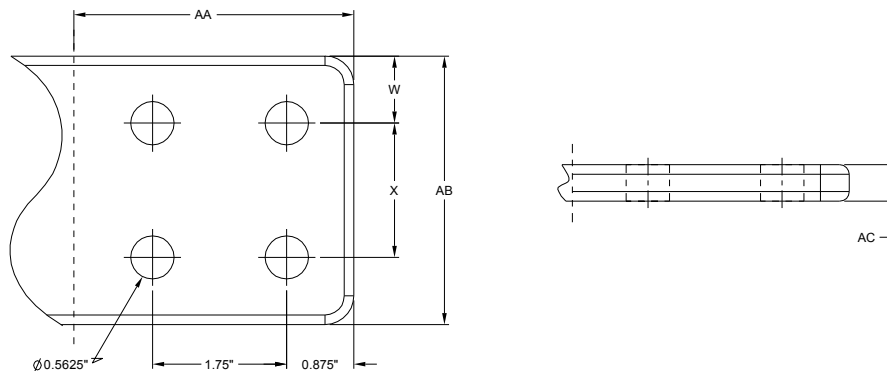
# Steel Eye Dimensions and PAD Dimensions

### Steel Dead-end Eye Classifications and Dimensions



Forging	A	B	C	D	E
Class 2	1.000	2.500	0.750	0.688	0.875
Class 3	1.375	2.750	0.813	0.813	1.000
Class 4	1.375	2.750	1.000	1.000	1.125
Class 5	1.375	2.750	1.125	1.125	1.313

### PAD Classifications and Dimensions



Pad	W	X	AA	AB Jumper	AC Jumper	AB Dead-End	AC Dead-End
Class F	0.69	NA	3.5	3.13	0.41	3.13	0.688
Class G	0.875	1.75	3.5	3.5	0.475	3.5	0.688
Class H	0.813	1.75	3.5	3.375	0.475	3.375	0.688
Class J	1	1.75	3.5	3.75	0.6	3.75	0.688
Class K	1.188	1.75	3.5	4.125	0.6	4.125	0.688
Class L	1.063	1.75	3.5	3.875	0.6	3.875	0.688
Class M	1.063	1.75	3.5	3.875	0.71	3.875	0.688
Class N	1.063	1.75	3.5	3.875	0.71	3.875	0.792
Class P	1.094	1.75	3.5	3.938	0.81	3.938	0.792
Class Q	1.125	1.75	3.5	4	0.81	4	0.792