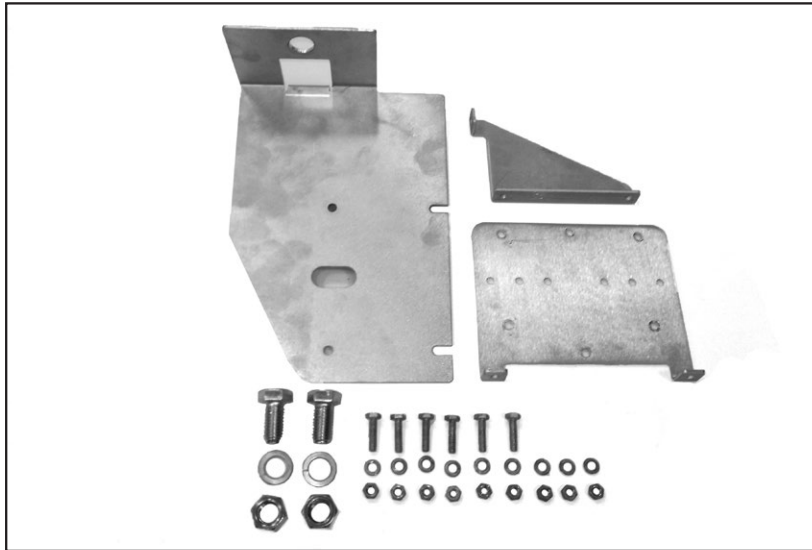




COYOTE® Defender

Addendum to SP2906 for use with 9.5" x 28" (292 mm x 749 mm) COYOTE® Dome

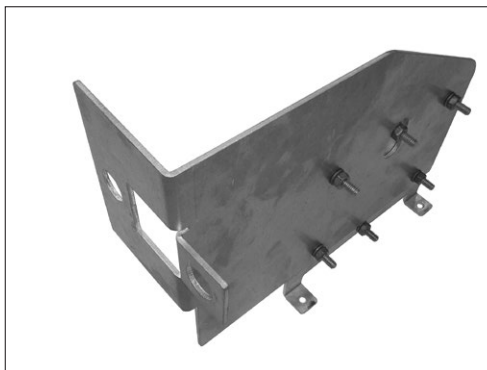
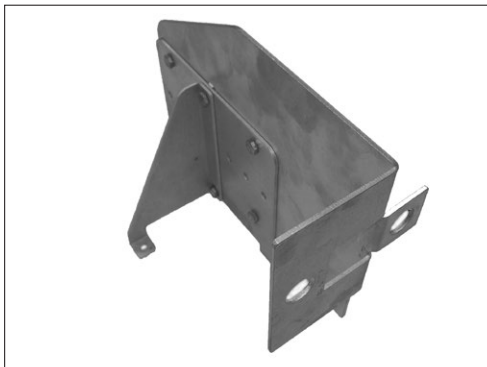
Be sure to read and completely understand this procedure before applying product. Be sure to select the proper PREFORMED product before application.



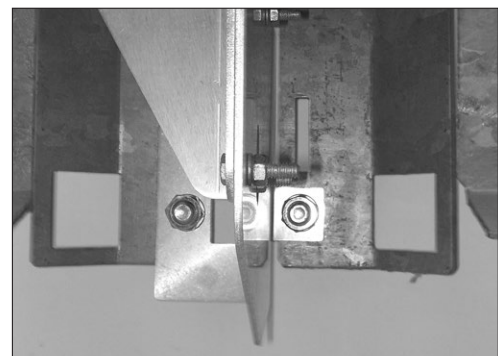
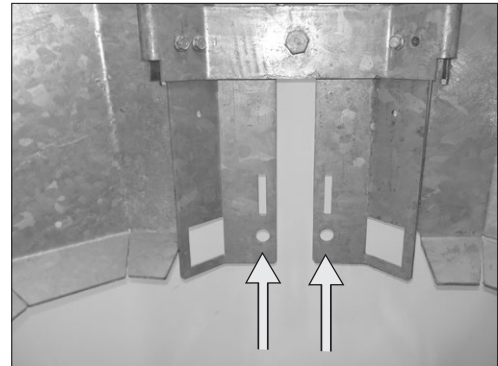
NOMENCLATURE

9.5" x 28" Dome Vertical Mounting Bracket (VMB)

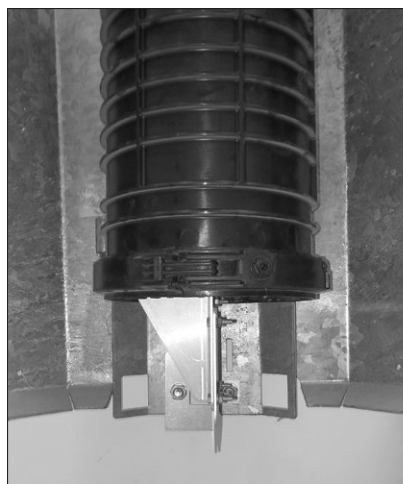
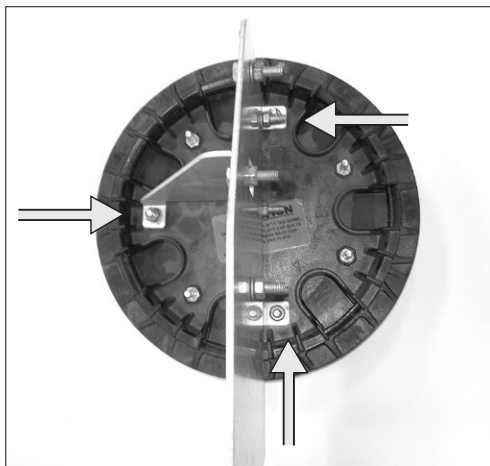
Step #1 Assemble mounting bracket with 1/4" bolts, lock washers, and nuts (6x) as shown.



Step #2 Before attaching the Defender Vertical Bracket Component (from SP2906) to the structure, attach the Dome VMB to the holes at the bottom using the 5/8" bolts, lock washers, and nuts.



Step #3 Attach the VMB to the grounding studs of the Dome Closure using lock washers and nuts (3x).



Completed Installation

NOTE: When using the 9.5" x 28" Dome the bottom slots on the Defender for mounting the cable storage crossarm are not accessible and this crossarm should be mounted directly to the structure underneath the Defender.

SAFETY CONSIDERATIONS

This application procedure is not intended to supersede any company construction or safety standards. This procedure is offered only to illustrate safe application for the individual.

FAILURE TO FOLLOW THESE PROCEDURES MAY RESULT IN PERSONAL INJURY OR DEATH.

Do not modify this product under any circumstances.

This product is intended for use by trained technicians only. **This product should not be used by anyone who is not familiar with, and not trained to use it.**

When working in the area of energized lines, extra care should be taken to prevent accidental electrical contact.

For proper performance and personal safety, be sure to select the proper size PREFORMED product before application.

PREFORMED products are precision devices. To insure proper performance, they should be stored in cartons under cover and handled carefully.



PREFORMED LINE PRODUCTS

P.O. Box 91129, Cleveland, Ohio 44101 • 440.461.5200 • www.preformed.com • e-mail: inquiries@preformed.com

SP3188