



RAPTOR PROTECTOR™ Horizontal Trunnion Patented

Be sure to read and completely understand this procedure before applying product. Be sure to select the proper PREFORMED product before application.



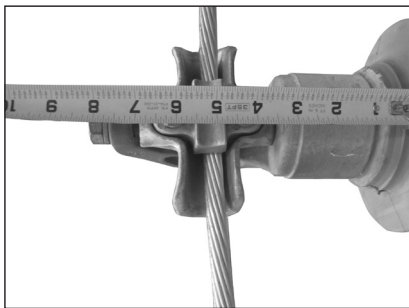
Nomenclature:

- 1. Horizontal Trunnion Black (RPC-0820)
Horizontal Trunnion Gray (RPC-0821)
- 2. Round Eye Lock Pin (RPP-0840)

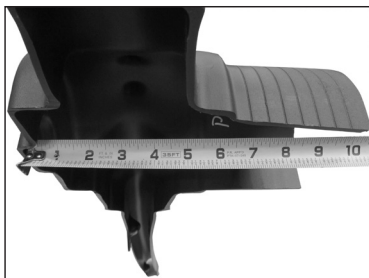
The RAPTOR PROTECTOR (RPC) is designed for use on a Horizontal Trunnion mount insulator.

INSTALLING THE RAPTOR PROTECTOR FOR A HORIZONTAL TRUNNION INSULATOR

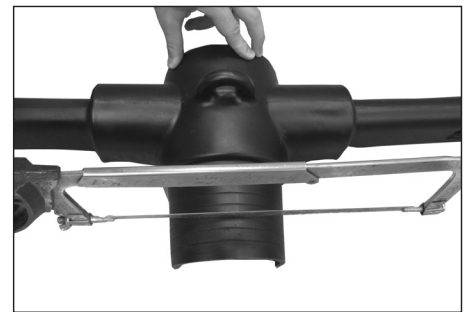
Step #1 Begin by measuring from the top skirt of the insulator to the top of the trunnion clamp.



Step #2 Using that measurement, measure from the inside top location of the RPC to the appropriate cut line.



Step #3 Cut the RPC on the appropriate cut line. Ensure that the cut is straight along both lines on either side of the RPC.



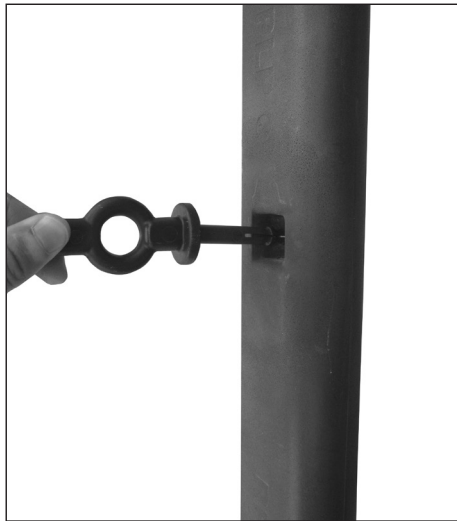
Step #4 Next place the RPC over the center of insulator and conductor.



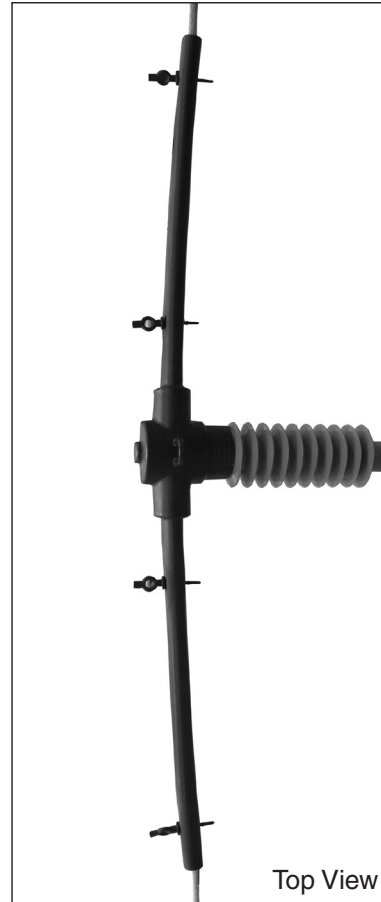
Step #5 Snap both legs of the RPC over the conductor.



Step #6 Install the four included Round Eye Lock Pins.



Step #7 Completed installation of the RPC for horizontal trunnion mount insulator.



INSTALLING THE RAPTOR PROTECTOR COVER USING THE HOT STICK

Repeat Steps 1-3 from page 1.

Step #4 Attach the hot stick to one of the installation eyes on the RPC. Then place the RPC over the center of the insulator and conductor using the hot stick.



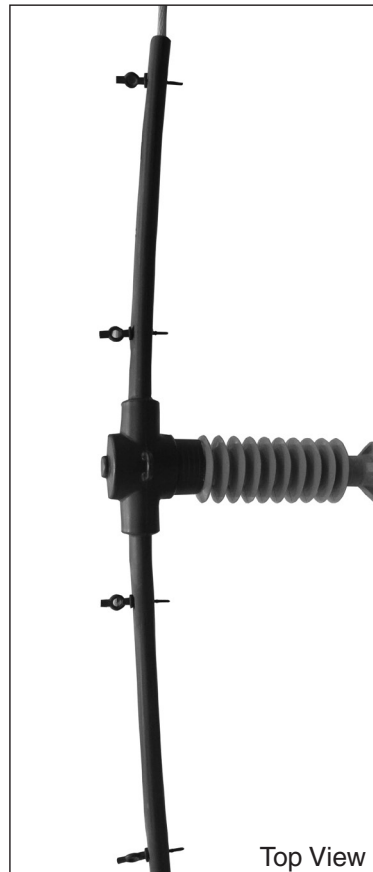
Step #6 Install the four Round Eye Lock Pins included, using the hot stick.



Step #5 Apply pressure to the top of the RPC using the hot stick and completely snap it over the conductor. Another stick can be used to snap the legs into place.



Step #7 Completed installation of the RPC for horizontal trunnion mount insulator.



SAFETY CONSIDERATIONS

This application procedure is not intended to supersede any company construction or safety standards. This procedure is offered only to illustrate safe application for the individual. **FAILURE TO FOLLOW THESE PROCEDURES MAY RESULT IN PERSONAL INJURY OR DEATH.**

This product may be removed and reinstalled during the initial installation if it is in good condition. After extended service life, it is recommended the product not be reused once removed from service.

Do not modify this product under any circumstances.

This product is intended for use by trained technicians only. **This product should not be used by anyone who is not familiar with, and not trained to use it.**

When working in the area of energized lines, extra care should be taken to prevent accidental electrical contact.

For proper performance and personal safety, be sure to select the proper size PREFORMED™ product before application.

PREFORMED products are precision devices. To insure proper performance, they should be stored in cartons under cover and handled carefully.



PREFORMED LINE PRODUCTS

P.O. Box 91129, Cleveland, Ohio 44101 • 440.461.5200 • www.preformed.com • e-mail: inquiries@preformed.com
SP3155-1